

### PRINCIPAL APPLICATIONS

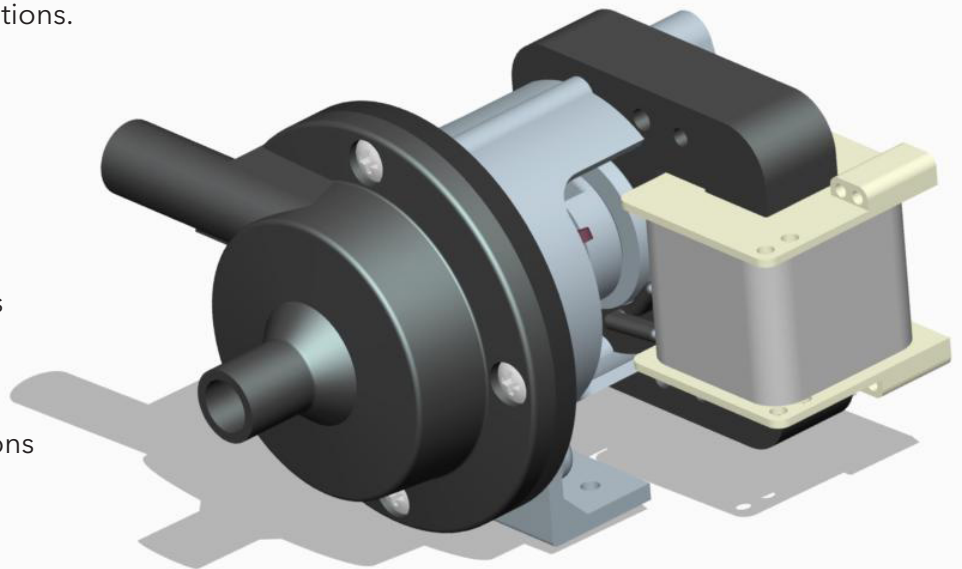
Water circulation, re-circulation and cooling duties in beverage, laboratory, agricultural, print, photographic and industrial processing applications.

### WETTED MATERIALS

- PP Pump Body
- Ceramic spindle
- Nitrile 'O' ring

### FEATURES

- Magnetically coupled, sealless leak-free design
- Pump body orientation easily altered to suit installations
- Variable mounting foot positions
- Discharge heads to 2 metres



### OPTIONS

#### BM8/2

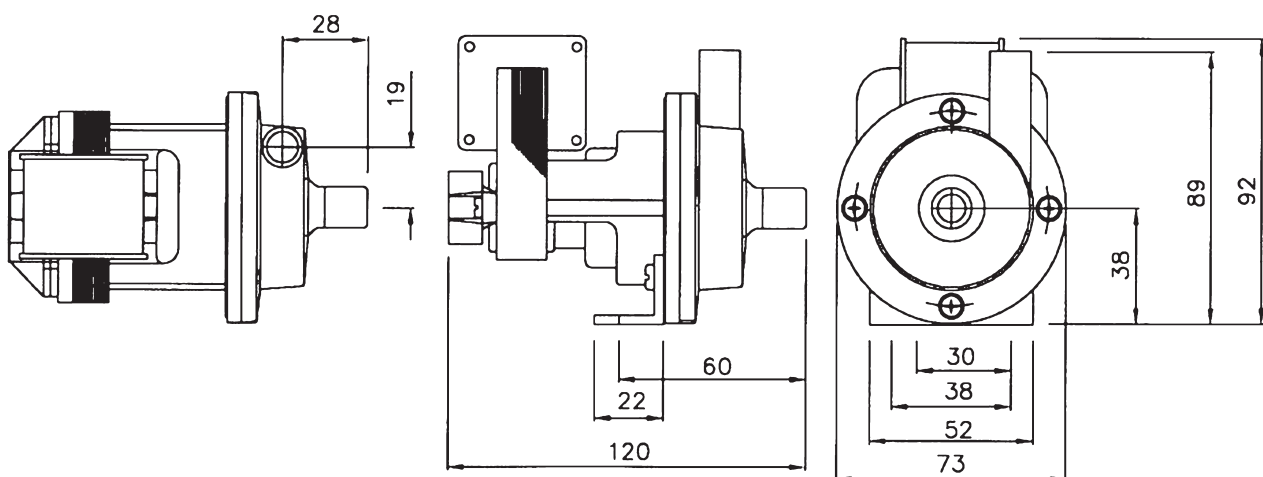
230V 1Ph 50/60Hz  
110V 1Ph 50/60Hz

#### Port Details

Plain 13mm (1/2")  
1/4" BSP M

### DIMENSIONS

Drawings not to scale  
Dimensions in millimetres

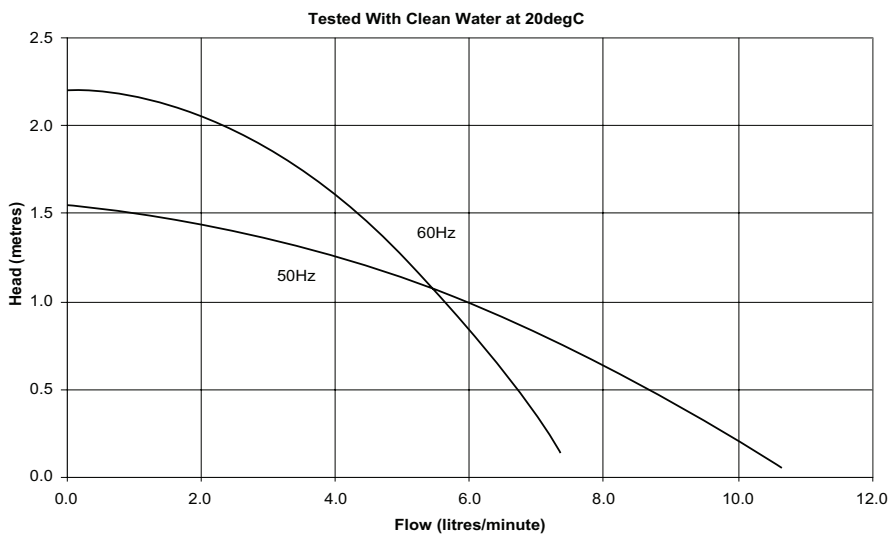


### SPECIFICATION

Model	Overall height (mm)	Overall length (mm)	Overall width (mm)	Weight (kg)	Max body pressure (bar)	Run-out flow rate (l/min)	Closed valve head (m)	Temp range (degC)	*Max specific gravity	Motor output (watts)
BM8/2	92	120	73	0.9	1.4	50 Hz 10	1.6	-20 to +85	1.0	5
						60 Hz 7	2.2			

\*Assuming maximum viscosity of 30cp.

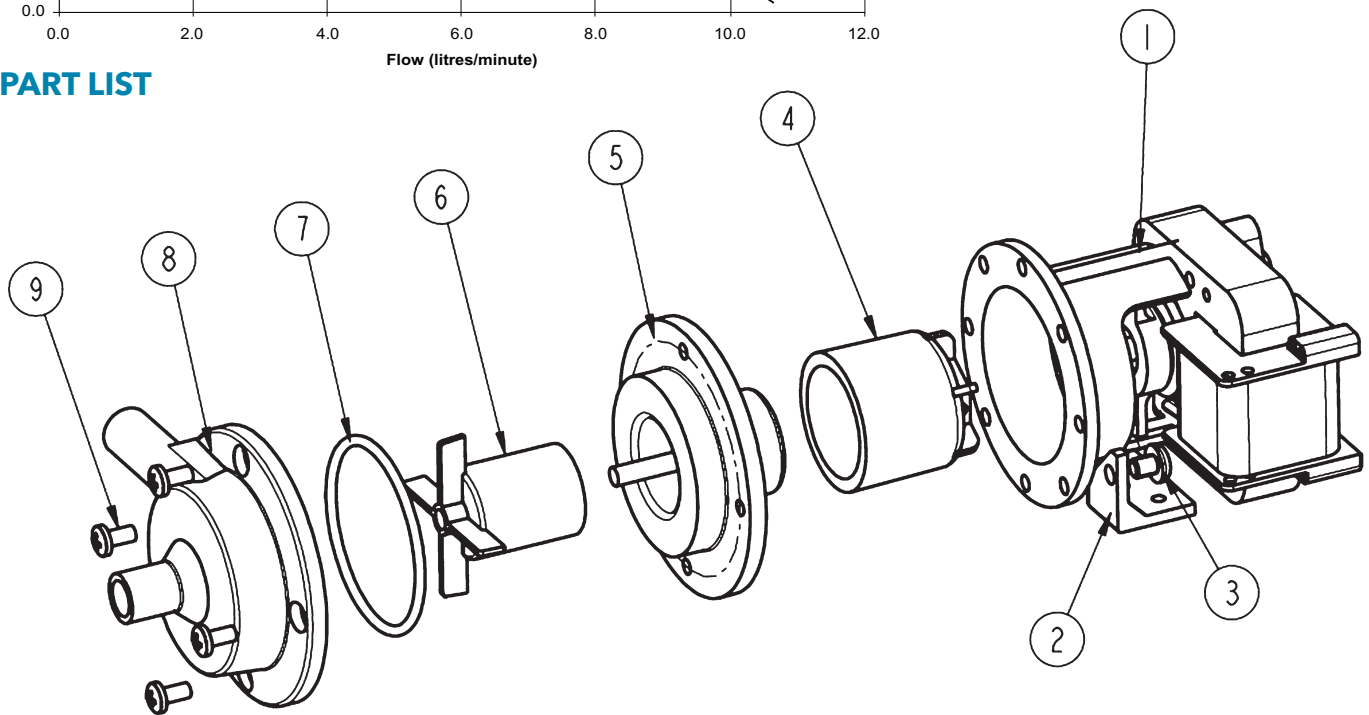
## PERFORMANCE



BM pumps are not self-priming and are not designed to run dry.

The company reserves the right to change the specification.

## PART LIST



Item Number	Description	Quantity	Part Number	
1	Motor	1	-	
2	Mounting Bracket	1	043308	
3	Screw		031427	
4	Drive Magnet	1	023267	
5	Spindle Housing	1	003271	
6	Impeller	1	003355	
7	O-ring	1	003224 (Nitrile)	
8	Pump Body	1	013358 (plain)	013369 (threaded)
9	Screw	4	022126	

**xylem**  
Let's Solve Water

[www.xylem.com](http://www.xylem.com)

**UK**  
**Xylem**  
Bingley Road, Hoddesdon  
Hertfordshire EN11 0BU  
Tel: +44 (0) 1992 450145  
Fax: +44 (0) 1992 467132

**USA**  
**Xylem**  
100 Cummings Center Drive  
Suite 535-N, Beverly, MA 01915  
Tel: +1 978 281-0440  
Fax: +1 978 283-2619

**ITALY**  
**Xylem**  
Via Tommaseo, 6  
20059 Vimercate, Milano  
Tel: +39 039 685 2323  
Fax: +39 039 666 307

**GERMANY**  
**Xylem**  
Oststrasse 28  
22844 Norderstedt  
Tel: +49-40-53 53 73-0  
Fax: +49-40-53 53 73-11

**JAPAN**  
**Xylem**  
3-21-10, Shin-Yokohama  
Kohoku-Ku, Yokohama, 222-0033  
Tel: +81-045-475-8906  
Fax: +81-045-477-1162

**Warranty:** All products of the company are sold, and all services of the company are offered subject to the company's warranty and terms of sale, copies of which will be furnished upon request. Details correct at time of printing. We reserve the right to change specifications without prior notice.