

2" DIAPHRAGM PUMP 1:1 RATIO (METALLIC)



READ THIS MANUAL CAREFULLY BEFORE INSTALLING, OPERATING OR SERVICING THIS EQUIPMENT.

It is the responsibility of the employer to place this information in the hands of the operator. Keep for future reference.

SERVICE KITS

Refer to Model Description Chart to match the pump material options.

637309-XX for fluid section repair (see page 4). NOTE: This kit also contains several air motor seals which will need to be replaced.

637421 for air section repair (see page 6).

PUMP DATA

Models..... see Model Description Chart for "-XXX"
Pump Type..... Metallic Air Operated Double Diaphragm
Material..... see Model Description Chart

Weight... PE20A-XAX-XXX-BOS 88.4 lbs (40.1 kgs)
 PE20A-XCX-XXX-BOS 144.4 lbs (65.5 kgs)
 PE20A-AHX-XXX-BOS 152.0 lbs (68.9 kgs)
 PE20A-ASX-XXX-BOS 146.8 lbs (66.6 kgs)
 PE20A-BHX-XXX-BOS 152.0 lbs (68.9 kgs)
 PE20A-BSX-XXX-BOS 146.8 lbs (66.6 kgs)
 PE20A-FHX-XXX-BOS 159.2 lbs (72.2 kgs)
 PE20A-FSX-XXX-BOS 159.2 lbs (72.2 kgs)

(add 25.1 lbs [11.4 kgs] for stainless steel air motor section)

Maximum Air Inlet Pressure 120 p.s.i.g. (8.3 bar)
Maximum Material Inlet Pressure... 10 p.s.i.g. (0.69 bar)
Maximum Outlet Pressure 120 p.s.i.g. (8.3 bar)
Maximum Flow Rate 172 g.p.m. (651 l.p.m.)
Displacement / Cycle @ 100 p.s.i.g. . 1.4 gal. (5.3 lit.)
Maximum Particle Size 1/4" (6.4 mm)
Maximum Temperature Limits (diaphragm / ball / seal material)

E.P.R. / EPDM..... -60° to 280° F (-51° to 138° C)
 Hytrel® -20° to 180° F (-29° to 82° C)
 Nitrile 10° to 180° F (-12° to 82° C)
 Kynar® PVDF..... 10° to 200° F (-12° to 93° C)
 Santoprene®..... -40° to 225° F (-40° to 107° C)
 PTFE..... 40° to 225° F (4° to 107° C)
 Viton® -40° to 350° F (-40° to 177° C)

Dimensional Data..... see page 8
Mounting Dimensions .9-1/16" x 10-1/16" (230 mm x 256 mm)
Noise Level @ 70 p.s.i., 60 c.p.m.①.... 85.0 db(A)②

① Tested with 67263 muffler assembly installed.
 ② The pump sound pressure levels published here have been updated to an Equivalent Continuous Sound Level (L_{Aeq}) to meet the intent of ANSI S1.13-1971, CAGI-PNEUROP S5.1 using four microphone locations.

NOTICE: All possible options are shown in the chart, however, certain combinations may not be recommended, consult a representative or the factory if you have questions concerning availability.

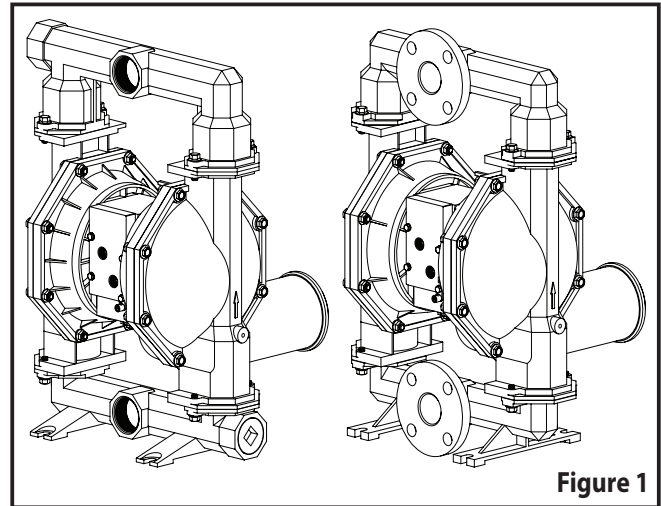


Figure 1

MODEL DESCRIPTION CHART

PE20X - XXX - XXX - BOS	
Air Motor / Air Cap Material	A - Aluminum / Aluminum S - Stainless Steel / Stainless Steel
Connection	A - N.P.T.F. B - BSP F - 2" A.N.S.I. / DIN Flange
Fluid Cap & Manifold Material	A - Aluminum H - Hastelloy® - C C - Cast Iron S - Stainless Steel
Hardware Material	P - Plated Steel S - Stainless Steel
Seat Material	A - Santoprene H - Hard 440 Stainless Steel C - Hytrel K - Kynar PVDF E - Carbon Steel L - Hastelloy - C F - Aluminum S - 316 Stainless Steel G - Nitrile
Ball Material	A - Santoprene S - 316 Stainless Steel C - Hytrel T - PTFE G - Nitrile V - Viton
Diaphragm Material	A - Santoprene L - Long Life PTFE B - Santoprene (backer) M - Medical Grade Santoprene C - Hytrel T - PTFE / Santoprene G - Nitrile V - Viton
Fluid Section Service Kit Selection	PE20X - XXX - XXX - BOS 637309 - <input checked="" type="checkbox"/> <input type="checkbox"/> Ball <input type="checkbox"/> Diaphragm
EXAMPLE: Model #PE20A-ACS-SAA-BOS Fluid Section Service Kit # 637309-AA	

OPERATING AND SAFETY PRECAUTIONS

READ, UNDERSTAND AND FOLLOW THIS INFORMATION TO AVOID INJURY AND PROPERTY DAMAGE.



⚠ WARNING EXCESSIVE AIR PRESSURE. Can cause personal injury, pump damage or property damage.

- Do not exceed the maximum inlet air pressure as stated on the pump model plate.
- Be sure material hoses and other components are able to withstand fluid pressures developed by this pump. Check all hoses for damage or wear. Be certain dispensing device is clean and in proper working condition.

⚠ WARNING STATIC SPARK. Can cause explosion resulting in severe injury or death. Ground pump and pumping system.

- Use the pump grounding screw terminal provided. Use ARO part no. 66885-1 ground kit or connect a suitable ground wire (12 ga. min.) to a good earth ground source.
- Secure pump, connections and all contact points to avoid vibration and generation of contact or static spark.
- Consult local building codes and electrical codes for specific grounding requirements.
- After grounding, periodically verify continuity of electrical path to ground. Test with an ohmmeter from each component (e.g., hoses, pump, clamps, container, spray gun, etc.) to ground to insure continuity. Ohmmeter should show 0.1 ohms or less.
- Submerge the outlet hose end, dispensing valve or device in the material being dispensed if possible. (Avoid free streaming of material being dispensed.)
- Use hoses incorporating a static wire.
- Use proper ventilation.
- Keep inflammables away from heat, open flames and sparks.
- Keep containers closed when not in use.

⚠ WARNING Pump exhaust may contain contaminants. Can cause severe injury. Pipe exhaust away from work area and personnel.

- In the event of a diaphragm rupture, material can be forced out of the air exhaust muffler.
- Pipe the exhaust to a safe remote location when pumping hazardous or inflammable materials.
- Use a grounded 1" minimum i.d. hose between the pump and the muffler.

⚠ WARNING HAZARDOUS PRESSURE. Can result in serious injury or property damage. Do not service or clean pump, hoses or dispensing valve while the system is pressurized.

- Disconnect air supply line and relieve pressure from the system by opening dispensing valve or device and / or carefully and slowly loosening and removing outlet hose or piping from pump.

⚠ WARNING HAZARDOUS MATERIALS. Can cause serious injury or property damage. Do not attempt to return a pump to the factory or service center that contains hazardous material. Safe handling practices must comply with local and national laws and safety code requirements.

- Obtain Material Safety Data Sheets on all materials from the supplier for proper handling instructions.

⚠ WARNING EXPLOSION HAZARD. Models containing aluminum wetted parts cannot be used with 1,1,1-trichloroethane, methylene chloride or other halogenated hydrocarbon solvents which may react and explode.

- Check pump motor section, fluid caps, manifolds and all wetted parts to assure compatibility before using with solvents of this type.

⚠ WARNING MISAPPLICATION HAZARD. Do not use models containing aluminum wetted parts with food products for human consumption. Plated parts can contain trace amounts of lead.

⚠ CAUTION Verify the chemical compatibility of the pump wetted parts and the substance being pumped, flushed or recirculated. Chemical compatibility may change with temperature and concentration of the chemical(s) within the substances being pumped, flushed or circulated. For specific fluid compatibility, consult the chemical manufacturer.

⚠ CAUTION Maximum temperatures are based on mechanical stress only. Certain chemicals will significantly reduce maximum safe operating temperature. Consult the chemical manufacturer for chemical compatibility and temperature limits. Refer to PUMP DATA on page 1 of this manual.

⚠ CAUTION Be certain all operators of this equipment have been trained for safe working practices, understand it's limitations, and wear safety goggles / equipment when required.

⚠ CAUTION Do not use the pump for the structural support of the piping system. Be certain the system components are properly supported to prevent stress on the pump parts.

- Suction and discharge connections should be flexible connections (such as hose), not rigid piped, and should be compatible with the substance being pumped.

⚠ CAUTION Prevent unnecessary damage to the pump. Do not allow pump to operate when out of material for long periods of time.

- Disconnect air line from pump when system sits idle for long periods of time.

⚠ CAUTION Use only genuine ARO replacement parts to assure compatible pressure rating and longest service life.

NOTICE Replacement warning labels are available upon request: "Static Spark & Diaphragm Rupture" pn \ 94080.

⚠ WARNING = Hazards or unsafe practices which could result in severe personal injury, death or substantial property damage.

⚠ CAUTION = Hazards or unsafe practices which could result in minor personal injury, product or property damage.

NOTICE = Important installation, operation or maintenance information.

GENERAL DESCRIPTION

The ARO diaphragm pump offers high volume delivery even at low air pressure and a broad range of material compatibility options are available. Refer to the model and option chart. ARO pumps feature stall resistant design, modular air motor / fluid sections.

Air operated double diaphragm pumps utilize a pressure differential in the air chambers to alternately create suction and a positive fluid pressure in the fluid chambers, valve checks insure a positive flow of fluid.

Pump cycling will begin as air pressure is applied and will continue to pump and keep up with the demand. It will build and maintain line pressure and will stop cycling once maximum line pressure is reached (dispensing device closed) and will resume pumping as needed.

AIR AND LUBE REQUIREMENTS

⚠ WARNING **EXCESSIVE AIR PRESSURE. Can cause pump damage, personal injury or property damage.**

- A filter capable of filtering out particles larger than 50 microns should be used on the air supply. There is no lubrication required other than the "O" ring lubricant which is applied during assembly or repair.
- If lubricated air is present, make sure that it is compatible with the "O" rings and seals in the air motor section of the pump.

OPERATING INSTRUCTIONS

- Always flush the pump with a solvent compatible with the material being pumped if the material being pumped is subject to "setting up" when not in use for a period of time.
- Disconnect the air supply from the pump if it is to be inactive for a few hours.
- The outlet material volume is governed not only by the air supply, but also by the material supply available at the inlet. The material supply tubing should not be too small or restrictive. Be sure not to use hose which might collapse.
- When the diaphragm pump is used in a forced-feed (flooded inlet) situation, it is recommended that a "check valve" be installed at the air inlet.
- Secure the diaphragm pump legs to a suitable surface to insure against damage by vibration.

PARTS AND SERVICE KITS

Refer to the part views and descriptions as provided on pages 4 through 7 for parts identification and service kit information.

- Certain ARO "Smart Parts" are indicated which should be available for fast repair and reduction of down time.
- Service kits are divided to service two separate diaphragm pump functions: 1. AIR SECTION, 2. FLUID SECTION. The Fluid Section is divided further to match typical part Material Options.

MAINTENANCE

- Provide a clean work surface to protect sensitive internal moving parts from contamination from dirt and foreign matter during service disassembly and reassembly.
- Keep good records of service activity and include the pump in preventive maintenance program.
- Before disassembling, empty captured material in the outlet manifold by turning the pump upside down to drain material from the pump.

FLUID SECTION DISASSEMBLY

1. Remove (61) outlet manifold, (60) inlet manifold.
2. Remove (22) balls, (19) "O" rings (if applicable) and (21) seats.
3. Remove (15) fluid caps.

NOTE: Only PTFE diaphragm models use a (7) primary diaphragm and a (8) backup diaphragm. Refer to the auxiliary view in the Fluid Section illustration.

4. Remove the (6) diaphragm washer, (7) or (7 / 8) diaphragms and (5) backup washer

NOTE: Do not scratch or mar the surface of (1) diaphragm rod.

FLUID SECTION REASSEMBLY

- Reassemble in reverse order. Refer to the torque requirements on page 5.
- Clean and inspect all parts. Replace worn or damaged parts with new parts as required.
- Lubricate (1) diaphragm rod and (144) "U" cups with Lubriplate® FML-2 grease (94276 grease packet is included in service kit).
- For models with PTFE diaphragms: Item (8) Santoprene diaphragm is installed with the side marked "AIR SIDE" towards the pump center body. Install the (7) PTFE diaphragm with the side marked "FLUID SIDE" towards the (15) fluid cap.
- Re-check torque settings after the pump has been re-started and run a while.

PARTS LIST / PE20X-X-X-B0S FLUID SECTION

★ 637309-XX Fluid Section Service Kits include: Balls (see Ball Option, refer to -XX in chart below), Diaphragms (see Diaphragm Option, refer to -XX in chart below), and items 19, 70, 144, 175 (listed below) plus 94276 Lubriplate FML-2 grease (page 6).

SEAT OPTIONS PE20X-XXX-XXX-B0S					BALL OPTIONS PE20X-XXX-XXX-B0S								
"21"					★ "22" (2-1/2" diameter)								
-XXX	Seat	Qty	[Mtl]		-XXX	Ball	Qty	[Mtl]		-XXX	Ball	Qty	[Mtl]
-AXX	94328-A	(4)	[Sp]		-HXX	94354	(4)	[SH]		-XAX	93358-A	(4)	[Sp]
-CXX	94328-C	(4)	[H]		-KXX	94477-K	(4)	[K]		-XCX	93358-C	(4)	[H]
-EXX	95677	(4)	[C]		-LXX	95639	(4)	[Ha]		-XGX	93358-2	(4)	[B]
-FXX	95673	(4)	[A]		-SXX	94353	(4)	[SS]					
-GXX	94328-G	(4)	[B]										

DIAPHRAGM OPTIONS PE20X-XXX-XXX-B0S										
-XXX	★ Service Kit -XX = (Ball) -XX = (Diaphragm)	★ "7"			★ "8"			★ "19"		
		Diaphragm	Qty	[Mtl]	Diaphragm	Qty	[Mtl]	"O" Ring (1/8" x 3-5/8" o.d.)	Qty	[Mtl]
-XXA	637309-XA	94329-A	(2)	[Sp]	-----	---	---	94356	(4)	[E]
-XXB	637309-XB	94330-A	(2)	[Sp]	-----	---	---	94356	(4)	[E]
-XXC	637309-XC	94329-C	(2)	[H]	-----	---	---	Y327-237	(4)	[V]
-XXG	637309-XG	96330-2	(2)	[B]	-----	---	---	Y325-237	(4)	[B]
-XXL	637309-XL	94355-L	(2)	[L]	94330-A	(2)	[Sp]	Y328-237	(4)	[T]
-XXM	637309-XM	94329-M	(2)	[MSp]	-----	---	---	Y328-237	(4)	[T]
-XXT	637309-XT	94355-T	(2)	[T]	94330-A	(2)	[Sp]	Y328-237	(4)	[T]
-XXV	637309-XV	95344	(2)	[V]	-----	---	---	Y327-237	(4)	[V]

MATERIAL CODE	
[A]	= Aluminum
[B]	= Nitrile
[C]	= Carbon Steel
[Co]	= Copper
[CI]	= Cast Iron
[E]	= E.P.R.
[H]	= Hytrel
[Ha]	= Hastelloy - C
[K]	= Kynar PVDF
[L]	= Long Life PTFE
[MSp]	= Medical Grade Santoprene
[SH]	= Hard Stainless Steel
[Sp]	= Santoprene
[SS]	= Stainless Steel
[T]	= PTFE
[V]	= Viton

CENTER SECTION OPTIONS PE20X-XXX-XXX-B0S						
Item	Description (size)	Qty	PE20A-XXX-XXX-B0S		PE20S-XXX-XXX-B0S	
			Part No.	[Mtl]	Part No.	[Mtl]
5	Backup Washer	(2)	96503	[A]	94357-2	[SS]
68	Air Cap	(1)	94715-1	[A]	94349-1	[SS]
69	Air Cap	(1)	94715-2	[A]	94349-2	[SS]
★ ✓ 175	"O" Ring (3/32" x 1" o.d.)	(2)	Y325-117	[B]	-----	---
★ ✓	(3/32" x 1-1/16" o.d.)	(2)	-----	---	Y325-118	[B]
181	Roll Pin (5/32" o.d. x 3/4" long)	(4)	-----	---	Y178-56-S	[SS]

NOTE: Seat options -AXX, -CXX and -GXX do not require item 19 "O" ring.

MANIFOLD THREAD / FLUID CAP MATERIAL OPTIONS PE20X-XXX-XXX-B0S														
Item	Description (size)	Qty	Aluminum		Cast Iron		Hastelloy - C		Stainless Steel					
			PE20X-XAX-X-B0S	PE20X-XCX-X-B0S	PE20X-XHX-X-B0S	PE20X-FHX-X-B0S	PE20X-XSX-X-B0S	PE20X-FSX-X-B0S	Part No.	[Mtl]	Part No.	[Mtl]		
6	Diaphragm Washer	(2)	96503	[A]	94357-2	[SS]	94357-3	[Ha]	94357-3	[Ha]	94357-2	[SS]	94357-2	[SS]
9	Washer	(2)	93065	[SS]	93065	[SS]	95683	[Ha]	95683	[Ha]	93065	[SS]	93065	[SS]
14	Screw (5/8" - 18 x 2-1/2")	(2)	Y5-111-T	[SS]	Y5-111-T	[SS]	95682	[Ha]	95682	[Ha]	Y5-111-T	[SS]	Y5-111-T	[SS]
15	Fluid Cap	(2)	94325	[A]	94346	[CI]	95679	[Ha]	95679	[Ha]	95570	[SS]	95570	[SS]
60	Inlet Manifold (PE20X-AXX-XXX-B0S)	(1)	94327-1	[A]	94347-1	[CI]	95680-1	[Ha]	96341	[Ha]	95510-1	[SS]	95512	[SS]
	(PE20X-BXX-XXX-B0S)	(1)	94327-2	[A]	94347-2	[CI]	95680-2	[Ha]	-----	---	95510-2	[SS]	-----	---
61	Outlet Manifold (PE20X-AXX-XXX-B0S)	(1)	94326-1	[A]	94348-1	[CI]	95681-1	[Ha]	96342	[Ha]	95511-1	[SS]	95513	[SS]
	(PE20X-BXX-XXX-B0S)	(1)	94326-2	[A]	94348-2	[CI]	95681-2	[Ha]	-----	---	95511-2	[SS]	-----	---
63	Pipe Plug (2 - 11-1/2 N.P.T.)	(2)	Y17-128	[A]	Y17-28-C	[C]	-----	---	-----	---	-----	---	-----	---
	(R-2, 2 - 11 BSP)	(2)	94439-2	[A]	94439-1	[C]	-----	---	-----	---	-----	---	-----	---

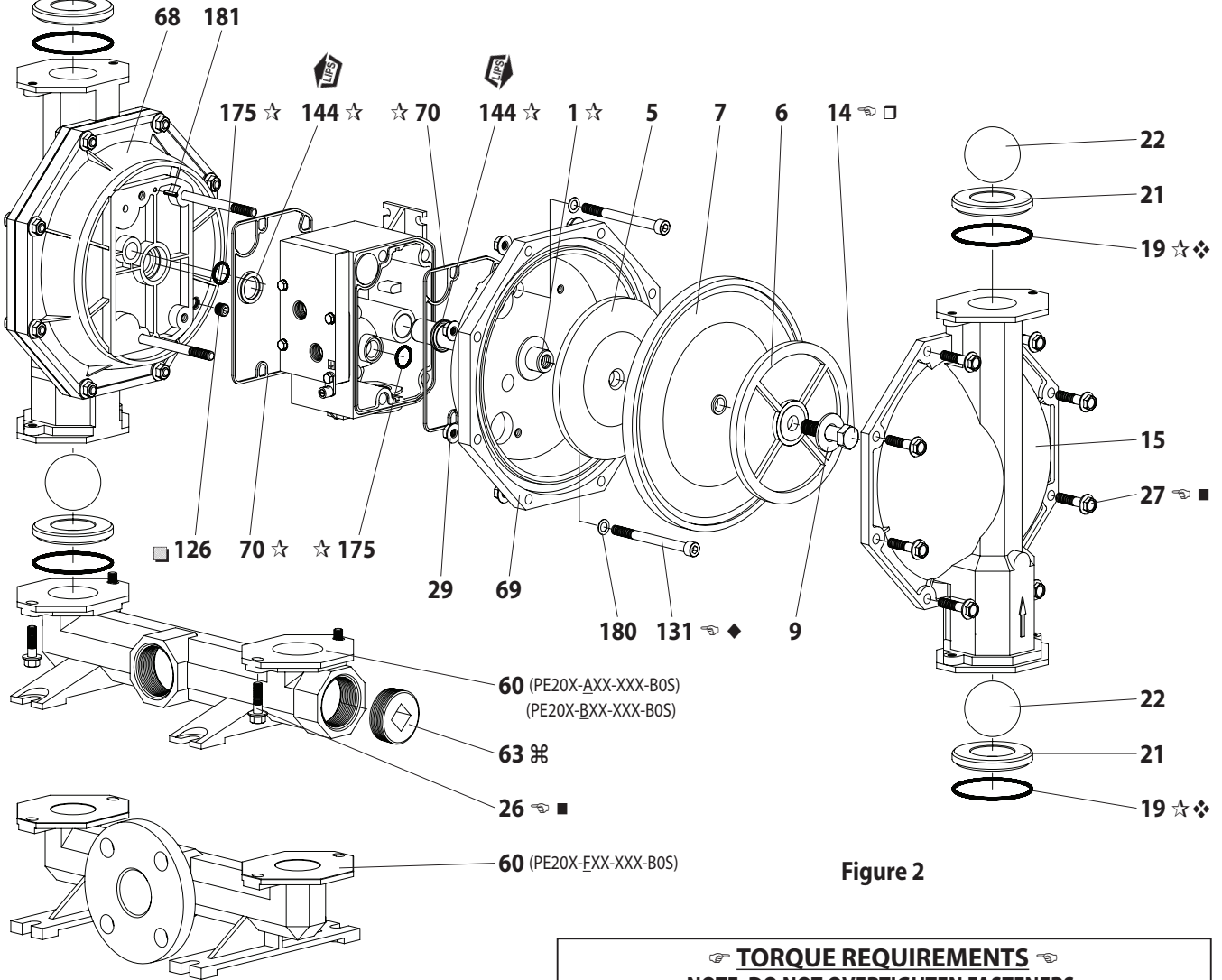
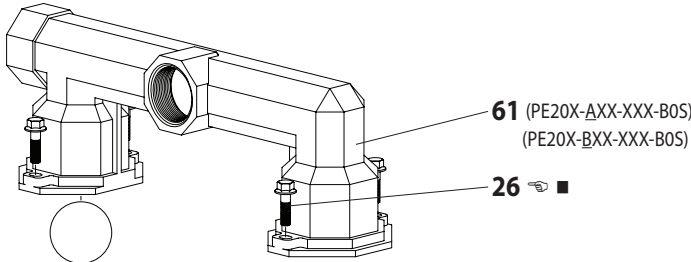
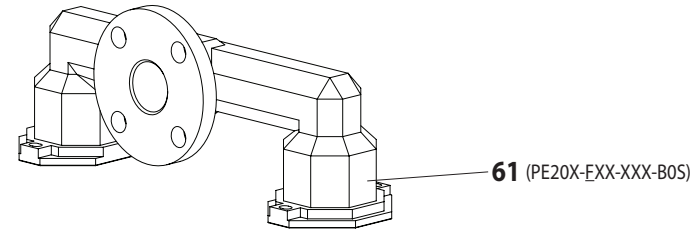
EXTERNAL HARDWARE OPTIONS PE20X-XXX-XXX-B0S						
Item	Description (size)	Qty	PE20X-XXP-XXX-B0S		PE20X-XXS-XXX-B0S	
			Part No.	[Mtl]	Part No.	[Mtl]
26	Screw (M10 x 1.5 - 6g x 34 mm)	(8)	94409-1	[C]	94409-2	[SS]
27	Screw (M10 x 1.5 - 6g x 45 mm)	(16)	94990-1	[C]	94990	[SS]
29	Nut (M10 x 1.5 - 6g)	(16)	94992-1	[C]	94992	[SS]

COMMON PARTS									
Item	Description (size)	Qty	Part No.	[Mtl]	Item	Description (size)	Qty	Part No.	[Mtl]
□ 1	Rod	(1)	94358	[C]	131	Screw (M10 x 1.5 - 6g x 120 mm)	(4)	94531	[C]
43	Ground Lug (see page 7)	(1)	93004	[Co]	★ ✓ 144	"U" Cup (3/16" x 1-3/8" o.d.)	(2)	Y186-51	[B]
★ ✓ 70	Gasket	(2)	94100	[B]	✓ 180	Washer (0.406" i.d. x 0.031" thick)	(4)	94098	[Co]
126	Pipe Plug (1/4 - 18 N.P.T. x 7/16")	(2)	Y17-51-S	[SS]					

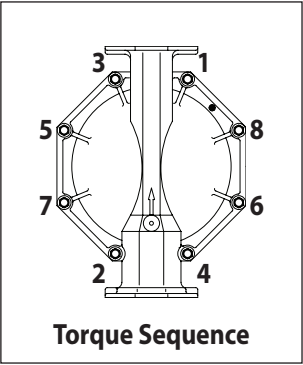
✓ Items included in air motor service kit, see pages 6 and 7

□ "Smart Parts", keep these items on hand in addition to the service kit for fast repair and reduction of down time.

PARTS LIST / PE20X-X-X-B0S FLUID SECTION



COLOR CODE		
Material	Diaphragm Color	Ball Color
Hytrel	Cream	Cream
Nitrile	Black	Red (•)
Santoprene	Tan	Tan
Santoprene (Backup)	Green	N / A
PTFE	White	White
Viton	Yellow (-)	Yellow (•)
	(-) Dash	(•) Dot



FOR THE AIR MOTOR SECTION, SEE PAGES 6 & 7.

View for PE20X-XXX-XXT-B0S (PTFE diaphragm) / PE20X-XXX-XXL-B0S (Long Life PTFE diaphragm) configuration only.

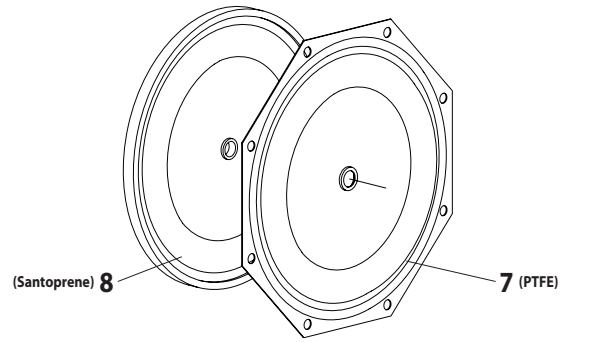


Figure 2

TORQUE REQUIREMENTS

NOTE: DO NOT OVERTIGHTEN FASTENERS.

ALL FASTENERS ARE METRIC.

(14) Diaphragm screw, 65 - 70 ft lbs (88.1 - 94.9 Nm).
 (26 and 27) Fluid cap / manifold screw, 30 - 40 ft lbs (40.7 - 54.2 Nm).
 (131) Screw, 35 - 40 ft lbs (47.5 - 54.2 Nm).

LUBRICATION / SEALANTS

- ☆ Apply Lubriplate FML-2 grease to all "O" rings, "U" cups and mating parts.
- ◆ Apply Loctite 262 to threads at assembly.
- Apply Loctite 271 to threads.
- Apply Loctite 572 to threads.
- ⌘ App PTFE tape to threads.
- Apply anti-seize compound to threads and bolt and nut flange heads which contact pump case when using stainless steel fasteners.
- ❖ Not used with PE20X-XXX-AXX-B0S, -CXX and -GXX.

Lubriplate FML-2 is a white food grade petroleum grease.

PARTS LIST / PE20X-X-X-B0S AIR SECTION

✓ Indicates parts included in 637421 air section service kit shown below and items 70, 144, 175 and 180 shown on page 4.

AIR MOTOR PARTS LIST

Item	Description (size)	(Qty)	Part No.	[Mtl]
101	Center Body (PE20A-XXX-XXX-B0S)	(1)	94028	[A]
	(PE20S-XXX-XXX-B0S)	(1)	94109	[SS]
103	Bushing	(1)	94092	[D]
121	Plug	(2)	96613	[D]
127	90° Street Elbow (1-1/2 - 11-1/2 N.P.T.)	(1)	94860	[C/I]
✓ 132	Gasket	(1)	94099	[B]
133	Lockwasher (1/4")			
	(PE20A-XXX-XXX-B0S)	(3)	Y117-416-C	[C]
	(PE20S-XXX-XXX-B0S)	(3)	Y14-416-T	[SS]
134	Screw (M6 - 1 - 6g x 30 mm)	(4)	96358	[SS]
✓ 146	"O" Ring (3/32" x 1-1/16" o.d.) ◆	(1)	Y325-118	[B]
✓ 147	"O" Ring (1/8" x 1/2" o.d.) ◆	(2)	Y325-202	[B]

MATERIAL CODE

[A] = Aluminum	[D] = Acetal	[Sp] = Santoprene
[B] = Nitrile	[I] = Iron	[SS] = Stainless Steel
[C] = Carbon Steel		

AIR MOTOR SECTION SERVICE

Service is divided into two parts - 1. Pilot Valve, 2. Major Valve.

GENERAL REASSEMBLY NOTES:

- Air Motor Section service is continued from Fluid Section repair.
- Inspect and replace old parts with new parts as necessary. Look for deep scratches on metallic surfaces, and nicks or cuts in "O" rings.
- Take precautions to prevent cutting "O" rings upon installation.
- Lubricate "O" rings with Lubriplate FML-2 grease.
- Do not over-tighten fasteners, refer to torque specification block on view.
- Re-torque fasteners following restart.

Item	Description (size)	(Qty)	Part No.	[Mtl]
160	Air Manifold	(1)	96612	[A]
✓ 166	Track Gasket ●	(1)	94026	[B]
✓ 173	"O" Ring (1/16" x 1-3/8" o.d.)	(2)	Y325-26	[B]
✓ 176	Diaphragm (check valve)	(2)	94102	[Sp]
201	Muffler Kit (includes item 127)	(1)	67213	
★ ✓	Lubriplate FML-2 Grease	(1)	94276	
	Lubriplate Grease packets (10)		637308	

● Used on models PE20A-XXX-XXX-B0S only.
◆ Used on models PE20S-XXX-XXX-B0S only.

AIR MOTOR SECTION DISASSEMBLY

1. Remove (160) air manifold, exposing (132 and 166) gaskets and (176) checks.
2. Remove (121) plugs.

AIR MOTOR SECTION REASSEMBLY

1. Clean and lubricate parts not being replaced from service kit.
2. Replace (173) "O" rings and assemble (121) plugs.
3. Assemble (132 and 166) gaskets and (176) checks to (101) center body.
4. Assemble (160) air manifold to (101) center body, securing with (134) screws. NOTE: Tighten screws to 40 - 50 in. lbs (4.5 - 5.6 Nm).

PARTS LIST / PE20X-X-X-B0S AIR SECTION

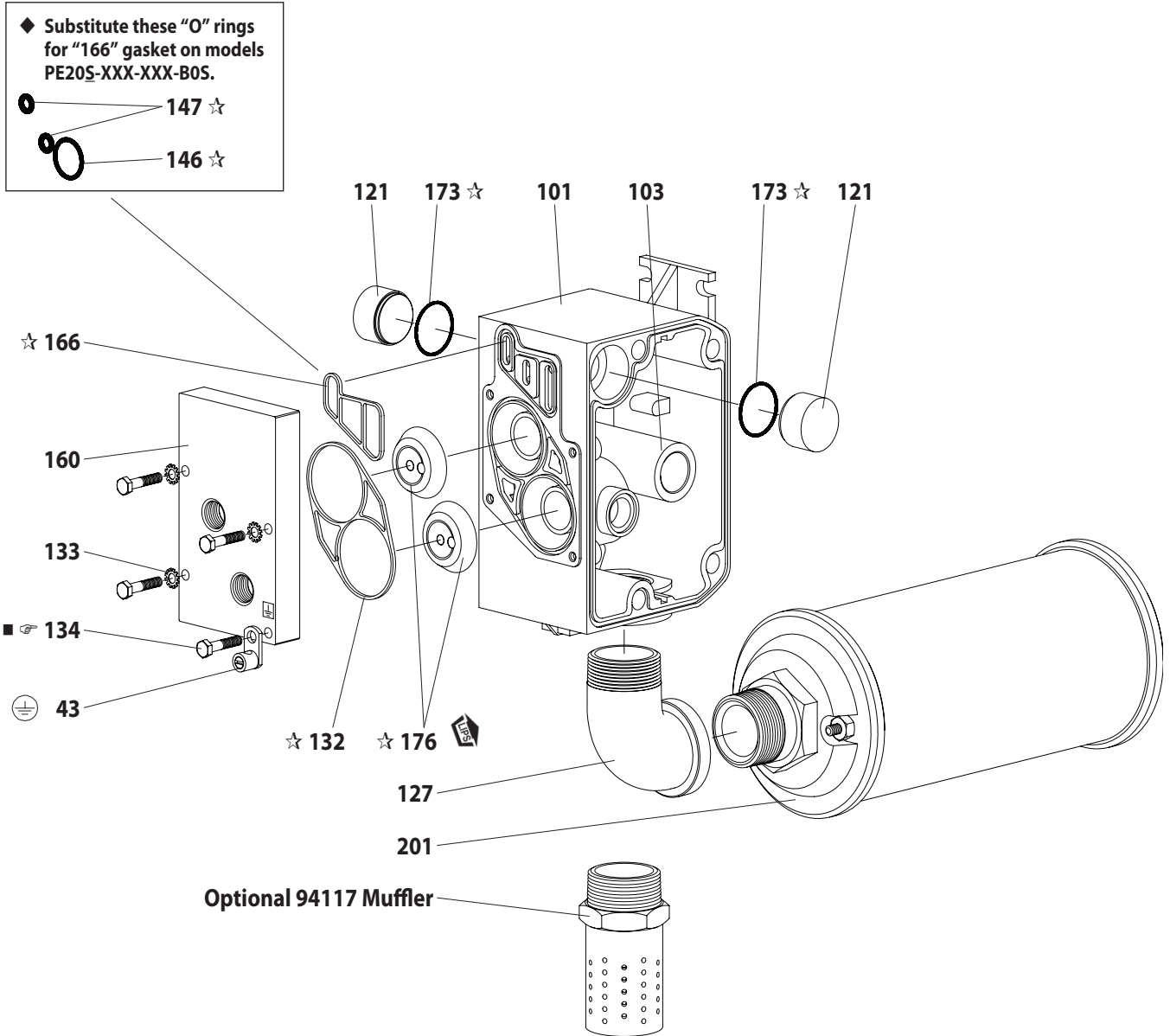


Figure 3

⚙ TORQUE REQUIREMENTS ⚙

NOTE: DO NOT OVERTIGHTEN FASTENERS.
ALL FASTENERS ARE METRIC.
 (134) Screw, 40 - 50 in. lbs (4.5 - 5.6 Nm).

LUBRICATION / SEALANTS

- ☆ Apply Lubriplate FML-2 grease to all "O" rings, "U" cups and mating parts.
- Apply anti-seize compound to threads and bolt and nut flange heads which contact pump case when using stainless steel fasteners.

TROUBLE SHOOTING

Product discharged from exhaust outlet.

- Check for diaphragm rupture.
- Check tightness of (14) diaphragm screw.

Air bubbles in product discharge.

- Check connections of suction plumbing.
- Check "O" rings between intake manifold and inlet side fluid caps.
- Check tightness of (14) diaphragm screw.

Motor blows air or stalls.

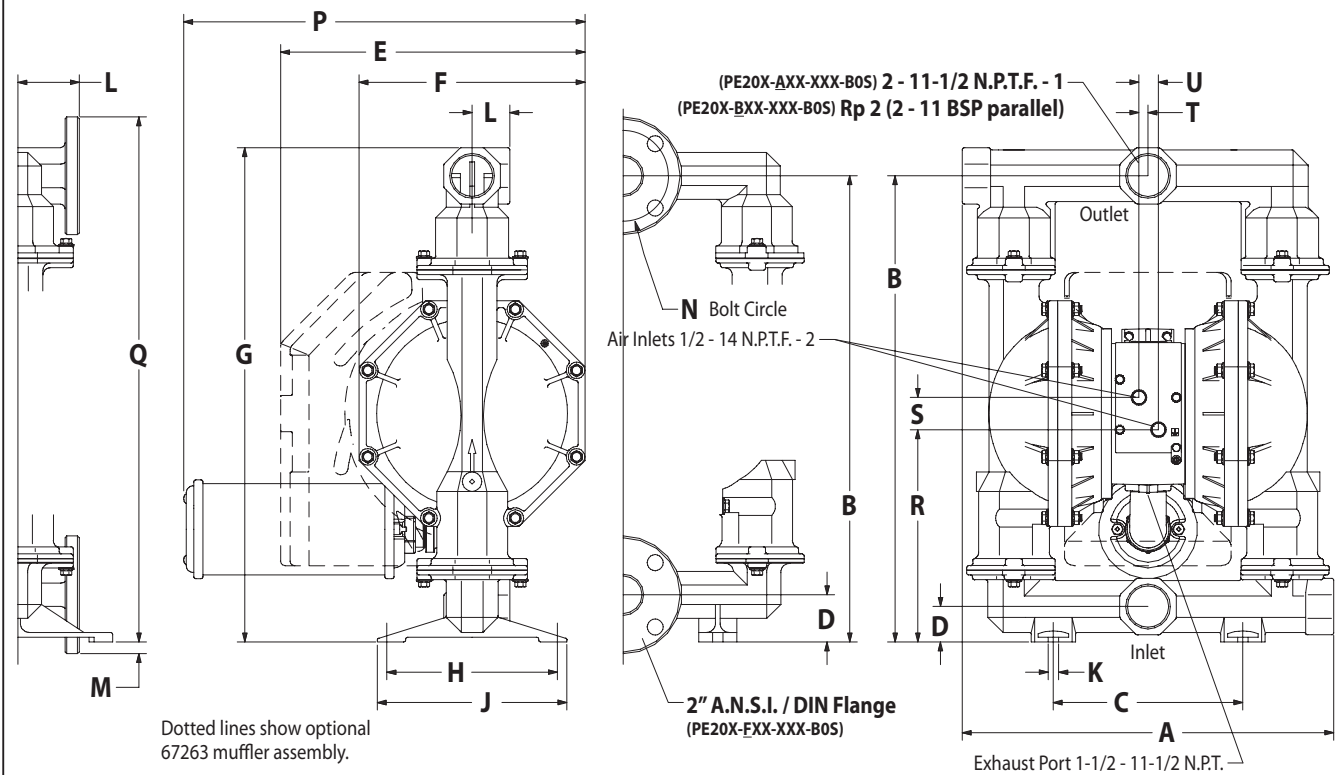
- Check (176) check valve for damage or wear.
- Check for restrictions in valve / exhaust.

Low output volume, erratic flow or no flow.

- Check air supply.
- Check for plugged outlet hose.
- Check for kinked (restrictive) outlet material hose.
- Check for kinked (restrictive) or collapsed inlet material hose.
- Check for pump cavitation - suction pipe should be sized at least as large as the inlet thread diameter of the pump for proper flow if high viscosity fluids are being pumped. Suction hose must be a non-collapsing type, capable of pulling a high volume.
- Check all joints on the inlet manifolds and suction connections. These must be air tight.
- Inspect the pump for solid objects lodged in the diaphragm chamber or the seat area.

DIMENSIONAL DATA

Dimensions shown are for reference only, they are displayed in inches and millimeters (mm).



DIMENSIONS

A - see below	F - 12" (304.8 mm)	L - see below	R - see below
B - 24-3/4" (628.7 mm)	G - 26-1/4" (666.8 mm)	M - 5/8" (15.9 mm)	S - 1-23/32" (43.4 mm)
C - 10-1/16" (255.6 mm)	H - 9-1/16" (230.2 mm)	N - 4.834" (122.8 mm)	T - 31/64" (12.3 mm)
D - see below	J - 10-1/16" (255.6 mm)	P - 21-5/16" (541.3 mm)	U - 1-1/32" (26.3 mm)
E - 16-3/16" (411.2 mm)	K - 9/16" (14.3 mm)	Q - 27-7/8" (708.0 mm)	

	"A"	"D"	"L"	"R"
PE20X-XAX-XXX-B0S	19-3/4" (501.4 mm)	1-7/8" (47.6 mm)	2" (50.8 mm)	11-9/32" (286.2 mm)
PE20X-XCX-XXX-B0S	19-3/4" (501.4 mm)	1-7/8" (47.6 mm)	2" (50.8 mm)	11-9/32" (286.2 mm)
PE20X-AHX-XXX-B0S	19-1/4" (488.7 mm)	2-1/2" (63.5 mm)	2-3/32" (53.0 mm)	11-29/32" (302.0 mm)
PE20X-BHX-XXX-B0S	19-1/4" (488.7 mm)	2-1/2" (63.5 mm)	2-3/32" (53.0 mm)	11-29/32" (302.0 mm)
PE20X-FHX-XXX-B0S	19-1/4" (488.7 mm)	2-1/2" (63.5 mm)	3-1/4" (82.6 mm)	11-29/32" (302.0 mm)
PE20X-ASX-XXX-B0S	19-1/4" (488.7 mm)	2-1/2" (63.5 mm)	2-3/32" (53.0 mm)	11-29/32" (302.0 mm)
PE20X-BSX-XXX-B0S	19-1/4" (488.7 mm)	2-1/2" (63.5 mm)	2-3/32" (53.0 mm)	11-29/32" (302.0 mm)
PE20X-FSX-XXX-B0S	19-1/4" (488.7 mm)	2-1/2" (63.5 mm)	3-1/4" (82.6 mm)	11-29/32" (302.0 mm)

Figure 4