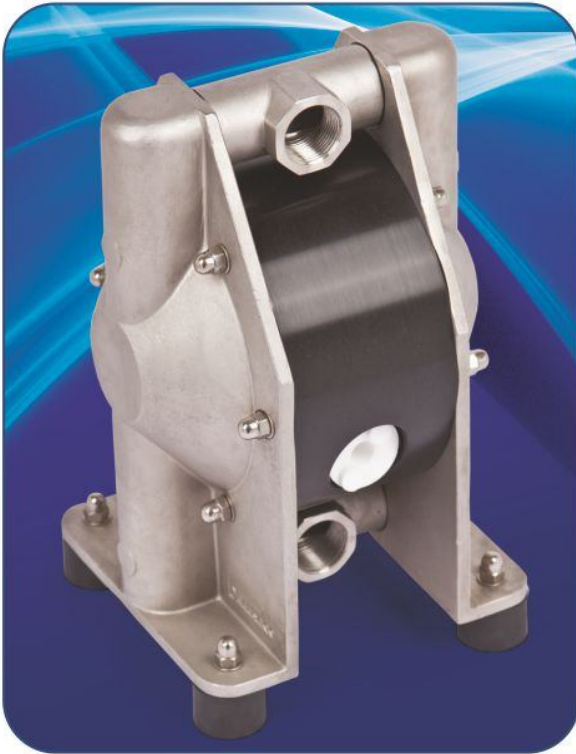
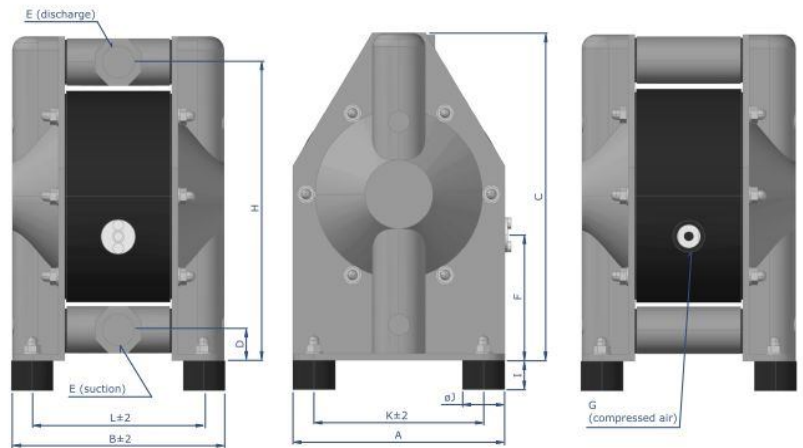


STAINLESS STEEL AISI 316 - INDUSTRIAL



DIMENSIONAL DRAWING



DIMENSIONS	A	B	C	D	E	F	G	H	I	ØJ	K	L
DM 20/75	150	171	230	21	G 3/4"	86	R 1/4"	212	18	30	118	139
DM 25/125	200	202	306	29	G 1"	117	R 1/4"	282	28	40	160	164
DM 40/315	270	267	412	34	G 1 1/2"	110	R 1/2"	380	28	40	213	213
DM 50/565	350	345	538	48	G 2"	165	R 1/2"	493	30	60	286	285

TECHNICAL DATA

	20/75	25/125	40/315	50/565
Max capacity (l/min)	75	125	315	565
Max pressure (bar)	8			
Nominal port size	3/4"	1"	1 1/2"	2"
Air connection	R 1/4"	R 1/4"	R 1/2"	R 1/2"
Suction lift dry (mWC)	3.0	4.0	4.0	5.0
Suction lift wet (mWC)	9.0			
Max diameter solids (mm)	4	7	10	12
Temperature limits - NBR, EPDM (°C)	80			
Temperature limits - PTFE (°C)	120			
Weight - AISI 316 (kg)	9.5	14	31	70
Material of pump housing	AISI 316			
Diaphragm options	NBR, EPDM or TFM/PTFE			
Valve balls	NBR, EPDM, PTFE, AISI 316, PU			
O-rings	NBR, EPDM, or FEP/FPM			

SPECIAL MATERIAL VERSIONS



Aluminium coated with PTFE as alternative solution for AISI 316 pumps.
Pump connection are made of AISI 316.
Especially suitable for print and ink industry.



Cast iron Pump with PE-conductive (polyethylene conductive) center section.

METAL PUMP OPTIONS



Metal pump with heating jacket.



Metal pump with handle for drum option.

DELLMECO PERFORMANCE CURVES

