

The EFC-15BS 1/2" non-metallic Diaphragm pump is constructed with a **Polypropylene** wetted body and centre section - with the choice of **single**, or **three-piece** manifold.

Capable of offering upto 49 LPM flow rate.

## PUMP SPECIFICATIONS

### PORT SIZE

- 1/2" BSP or NPT female

### MAX FREE FLOW ON WATER AT 20°C/68°F

- 49.2 lpm / 13 USGPM  
(on some models 20% reduction should PTFE Diaphragms be fitted)

### MAX WORKING PRESSURE @ 20°C/68°F

- 100psi (6.9 bsr)

### PUMP BODY MIN/MAX WORKING TEMP

- Polypropylene - 4-107°C / 40-225°F

### MAX PUMPABLE PARTICLE SIZE

- 2.4mm / 3/32"

### AIR INLET PORT SIZE

- 1/4" BSPT female

### MAX SOUND POWER LEVEL (DBA - ISO 9614-2)

- 71.1 dBA  
(at max air inlet pressure - will reduce with air pressure)

### BODY MATERIALS AVAILABLE AND WEIGHT

- Polypropylene - 3.3 kg / 7.2 lb

### DIAPHRAGM & CHECK VALVE MATERIALS AVAILABLE

- Polypropylene
- Santoprene
- PTFE
- Buna-Nitrile
- PTFE



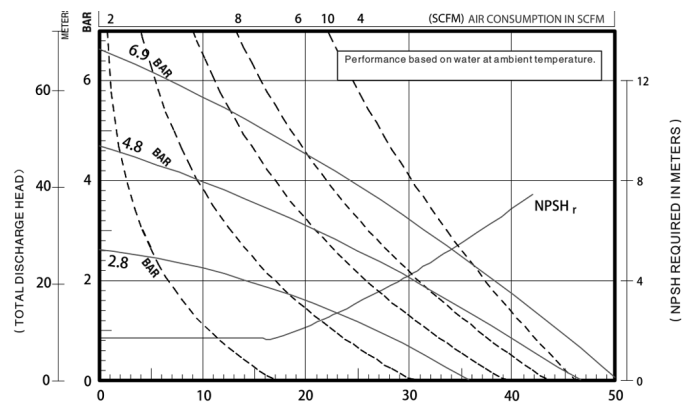
**Single Piece Manifold**  
Polypropylene  
EFC-15BS-PP-XX-XX-XX



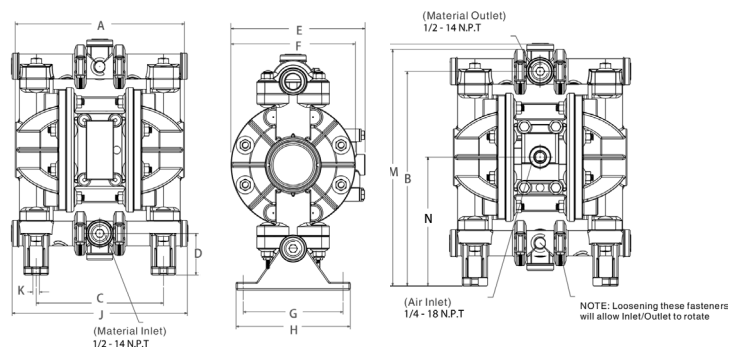
**Three Piece Manifold**  
Polypropylene  
EFC-15B3-PP-XX-XX-XX

## PERFORMANCE CURVE

Pump tested in water with inlet submerged



## GA DRAWINGS



Port Size	Air Inlet Size	A	B	C	D	E	F	G	H	I	J	K	L	M
		mm	mm	mm	mm	mm	mm	mm	mm	mm	mm	mm	mm	mm
1/2" BSP(F)	1/4" BSP(F)	207	255	155.8	51	164	152	122.2	140	215	8	288	282	153