

The EFE-50 2" metallic diaphragm pump is constructed in **Aluminium** and **Stainless Steel** wetted body options, with a Cast Iron centre section.

Capable of offering upto 340 LPM flow rate.

### PUMP SPECIFICATIONS

#### PORT SIZE

- 2" BSP female

#### MAX FREE FLOW ON WATER AT 20°C/68°F

- 651 lpm / 172 USGPM  
(on some models 20% reduction should PTFE Diaphragms be fitted)

#### MAX WORKING PRESSURE @ 20°C/68°F

- 120psi (8.3 bsr)

#### PUMP BODY MIN/MAX WORKING TEMP

- Aluminium - 4-107°C / 40-225°F

#### MAX PUMPABLE PARTICLE SIZE

- 6.4mm / 1/4"

#### AIR INLET PORT SIZE

- 3/4" BSPT female

#### MAX SOUND POWER LEVEL (DBA - ISO 9614-2)

- 85 dBA  
(at max air inlet pressure - will reduce with air pressure)

#### BODY MATERIALS AVAILABLE AND WEIGHT

- Aluminium - 41.5 kg

#### DIAPHRAGM & CHECK VALVE MATERIALS AVAILABLE

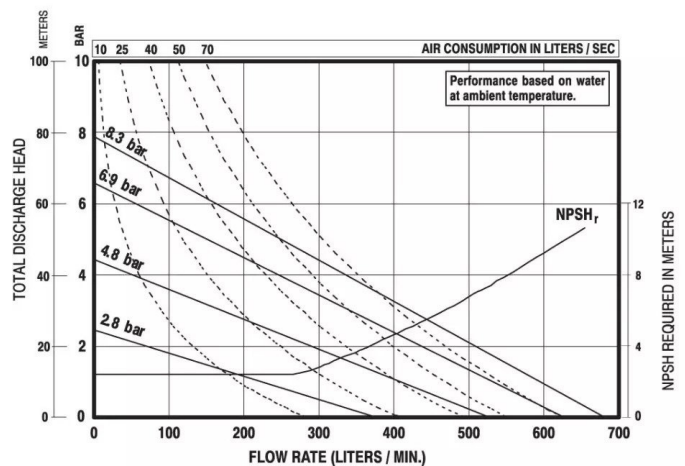
- Santoprene



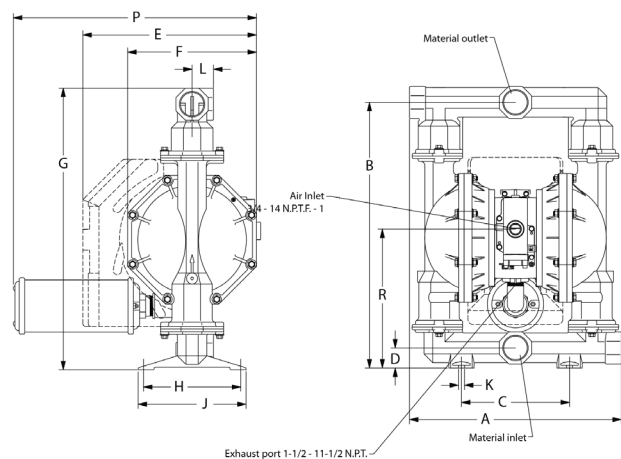
**Aluminium**  
EFE-50X-AL-XX-XX-XX-X

### PERFORMANCE CURVE

Pump tested in water with inlet submerged



### GA DRAWINGS



Port Size	Air Inlet Size	A	B	C	D	E	F	G	H	J	K	L	N	P	R	T
		mm	mm	mm	mm	mm	mm	mm	mm	mm	mm	mm	mm	mm	mm	mm
2" BSP(F)	3/4" BSP(F)	501.7	628.7	255.6	47.6	411.2	304.8	666.8	230.2	255.6	14.3	50.8	122.8	548	328.6	2" BSP