

The EFE-80 3" metallic diaphragm pump is constructed in **Aluminium** wetted body and centre section.

Capable of offering upto 340 LPM flow rate.

PUMP SPECIFICATIONS

PORT SIZE

- 3" BSP female

MAX FREE FLOW ON WATER AT 20°C/68°F

- 897 lpm / 237 USGPM
- (on some models 20% reduction should PTFE Diaphragms be fitted)

MAX WORKING PRESSURE @ 20°C/68°F

- 120psi (8.3 bsr)

PUMP BODY MIN/MAX WORKING TEMP

- Aluminium - 4-107°C / 40-225°F

MAX PUMPABLE PARTICLE SIZE

- 9.5mm / 3/8"

AIR INLET PORT SIZE

- 3/4" BSPT female

MAX SOUND POWER LEVEL (DBA - ISO 9614-2)

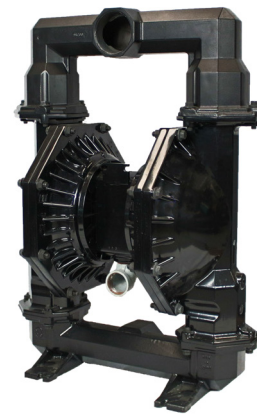
- 83 dBA
- (at max air inlet pressure - will reduce with air pressure)

BODY MATERIALS AVAILABLE AND WEIGHT

- Aluminium - 58.8 kg

DIAPHRAGM & CHECK VALVE MATERIALS AVAILABLE

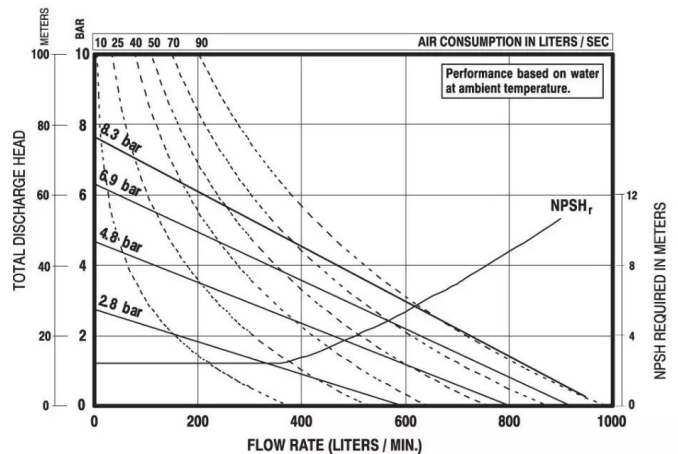
- Santoprene
- PTFE
- Stainless Steel



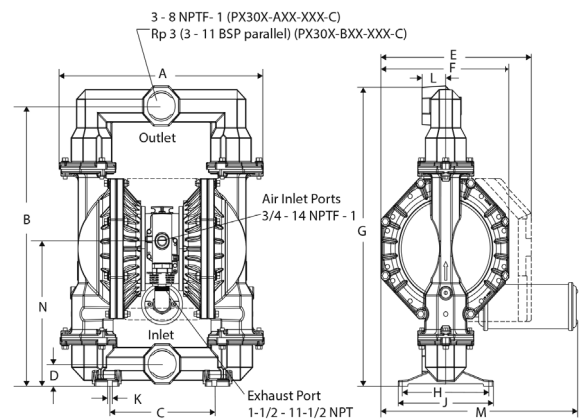
Aluminium
EFE-80X-AL-XX-XX-XX-X

PERFORMANCE CURVE

Pump tested in water with inlet submerged



GA DRAWINGS



Port Size	Air Inlet Size	A	B	C	D	E	F	G	H	J	K	L	N	P
		mm	mm	mm	mm	mm	mm	mm	mm	mm	mm	mm	mm	mm
3" BSP(F)	3/4" BSP(F)	600.1	762	306.4	60.3	449.2	391	812.8	258	279.4	14.3	69.9	393.7	30.2