

The EFP-25B 1" metallic diaphragm pump is constructed in **Aluminium** and **Stainless Steel** wetted body options, with a Cast Iron centre section.

Capable of offering upto 133 LPM flow rate.

PUMP SPECIFICATIONS

PORT SIZE

- 1" BSP female

MAX FREE FLOW ON WATER AT 20°C/68°F

- 133 lpm / 35 USGPM
- (on some models 20% reduction should PTFE Diaphragms be fitted)

MAX WORKING PRESSURE @ 20°C/68°F

- 120psi (8.3 bsr)

PUMP BODY MIN/MAX WORKING TEMP

- Aluminium - 4-107°C / 40-225°F
- Stainless Steel - 4-107°C / 40-225°F

MAX PUMPABLE PARTICLE SIZE

- 3.2mm / 1/8"

AIR INLET PORT SIZE

- 1/4" BSPT female

MAX SOUND POWER LEVEL (DBA - ISO 9614-2)

- 71.1 dBA
- (at max air inlet pressure - will reduce with air pressure)

BODY MATERIALS AVAILABLE AND WEIGHT

- Aluminium - 12.2 kg
- Stainless Steel - 19.9 kg

DIAPHRAGM & CHECK VALVE MATERIALS AVAILABLE

- Aluminium
- Stainless Steel
- Polypropylene
- PVDF (Kynar)
- Nitrile
- PTFE
- Santoprene



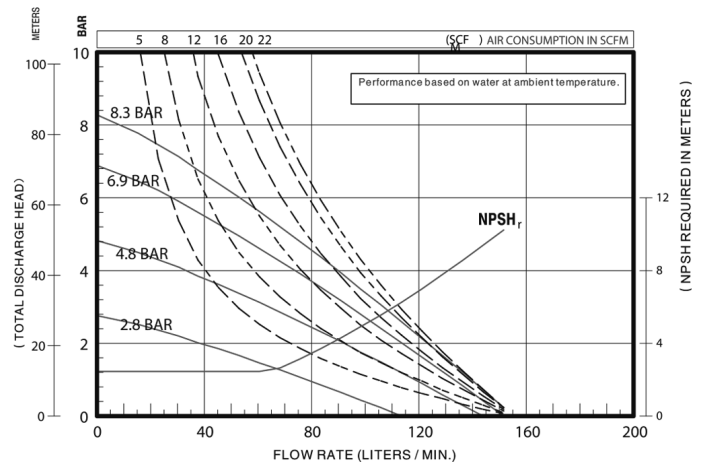
Aluminium
EFP-25B-AL-XX-XX-XX



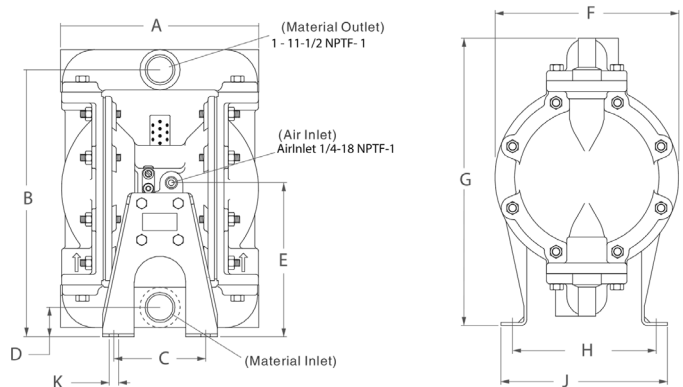
Stainless Steel
EFP-25B-SS-XX-XX-XX

PERFORMANCE CURVE

Pump tested in water with inlet submerged



GA DRAWINGS



Port Size	Air Inlet Size	A	B	C	D	E	F	G	H	I	J
		mm	mm	mm	mm	mm	mm	mm	mm	mm	mm
1/2" BSP(F)	1/4" BSP(F)	217.5	294	102	32	165	203	318	159	186	10