

PUMP SPECIFICATIONS

PORT SIZE

- 2.5" Tri-Clamp

MAX FREE FLOW ON WATER AT 20°C/68°F

- 567 LPM / 150 USGPM

(on some models 20% reduction should PTFE Diaphragms be fitted)

VOLUME DISPLACE PER FULL CYCLE

- 3.4 Litres / 0.92 US Gallons

MIN/MAX WORKING PRESSURE @ 20°C/68°F

- 1.4-6.9 Barg / 20-100 Psig

PUMP BODY MIN/MAX WORKING TEMP

- 316 St Steel - 4-107°C / 40-225°F

MAX PUMPABLE PARTICLE SIZE

- 6.3mm / 1/4"

MAX DRY SUCTION LIFT ON WATER

- 4.9 metres / 15 feet (Rubber Balls)

MAX WET SUCTION LIFT ON WATER

- 8 metres / 24 feet (Rubber Balls)

MAX AIR CONSUMPTION

- 100 scfm / 163m³/hr

AIR INLET PORT SIZE

- 3/4" NPT female

AIR OUTLET PORT SIZE / MUFFLER

- 1" NPT female

MAX SOUND POWER LEVEL (DBA - ISO 9614-2)

- 100 dBA

(at max air inlet pressure - will reduce with air pressure)

BODY MATERIALS AVAILABLE AND WEIGHT

- 316 St Steel - 52 kg / 114 lb

DIAPHRAGM & CHECK VALVE

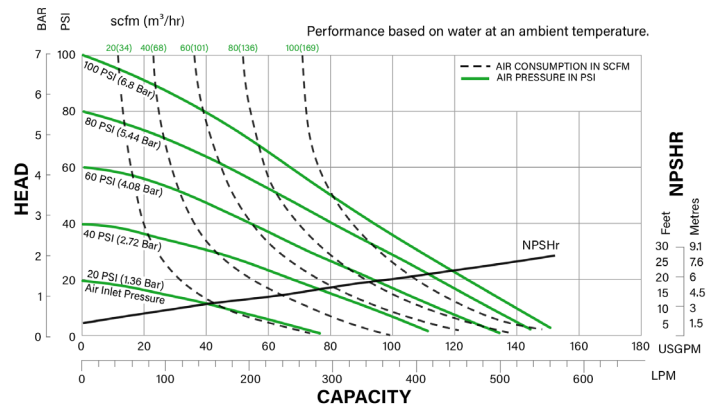
MATERIALS AVAILABLE

- Santoprene
- PTFE c/w Santoprene Backers
- PTFE

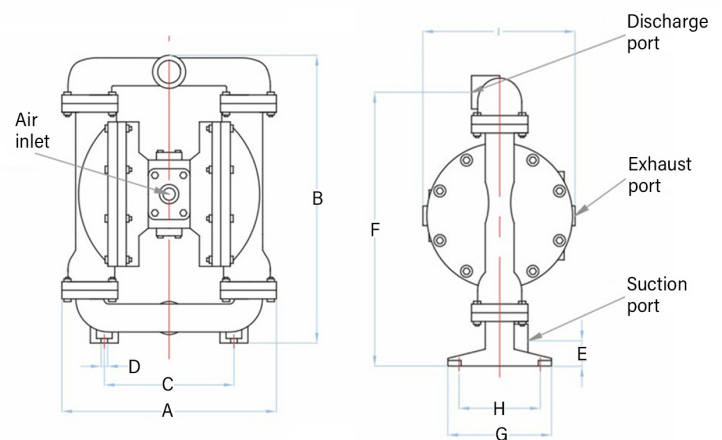


PERFORMANCE CURVE

Pump tested in water with inlet submerged



GA DRAWINGS



Port Size	Air Inlet Size	Exhaust Port Size	A	B	C	D	E	F	G	H	I	mm/inches
			mm inches	mm inches	mm inches	mm inches	mm inches	mm inches	mm inches	mm inches	mm inches	standard muffler
2.5" Tri-Clamp	3/4" NPT	1" NPT	428 16.9"	669 26.3"	256 10.1"	13 0.5"	51 2"	631 24.8"	254 10"	228 9.0"	320 12.6"	373 14.7"



II 2GD c T5