

### PUMP SPECIFICATIONS

#### PORT SIZE

- 3/4" female & 1.5" male BSP or NPT

#### MAX FREE FLOW ON WATER AT 20°C/68°F

- 87 LPM / 23 USGPM

(on some models 20% reduction should PTFE Diaphragms be fitted)

#### VOLUME DISPLACE PER FULL CYCLE

- 0.196 Litres / 0.052 US Gallons

#### MIN/MAX WORKING PRESSURE @ 20°C/68°F

- 1.4-6.9 Barg / 20-100 Psig

#### PUMP BODY MIN/MAX WORKING TEMP

- Polypropylene - 4-66°C / 40-150°F
- PVDF - 4-107°C / 40-225°F

#### MAX PUMPABLE PARTICLE SIZE

- 3mm / 1/8"

#### MAX DRY SUCTION LIFT ON WATER

- 4.4 metres / 13 feet (Rubber Balls)

#### MAX WET SUCTION LIFT ON WATER

- 7.6 metres / 23 feet (Rubber Balls)

#### MAX AIR CONSUMPTION

- 20 scfm / 34m<sup>3</sup>/hr

#### AIR INLET PORT SIZE

- 1/4" NPT female

#### AIR OUTLET PORT SIZE / MUFFLER

- 3/8" NPT female

#### MAX SOUND POWER LEVEL (DBA - ISO 9614-2)

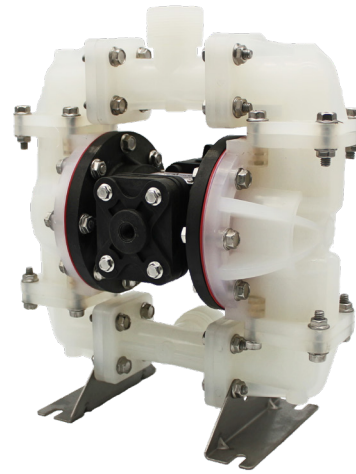
- 95 dBA
- (at max air inlet pressure - will reduce with air pressure)

#### BODY MATERIALS AVAILABLE AND WEIGHT

- Polypropylene - 8 kg / 17 lb
- PVDF - 9 kg / 20 lb

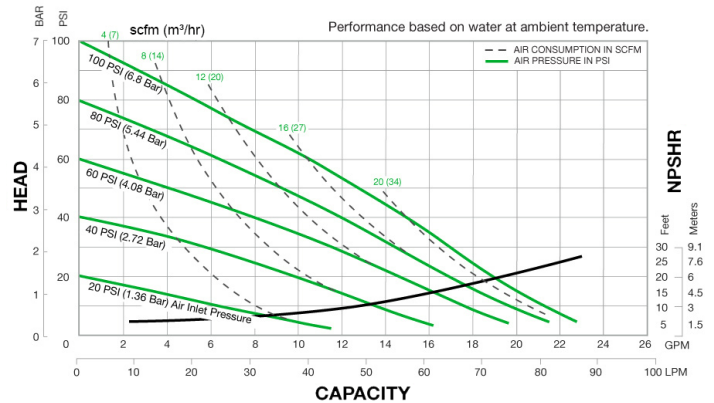
#### DIAPHRAGM & CHECK VALVE MATERIALS AVAILABLE

- Santoprene
- PTFE

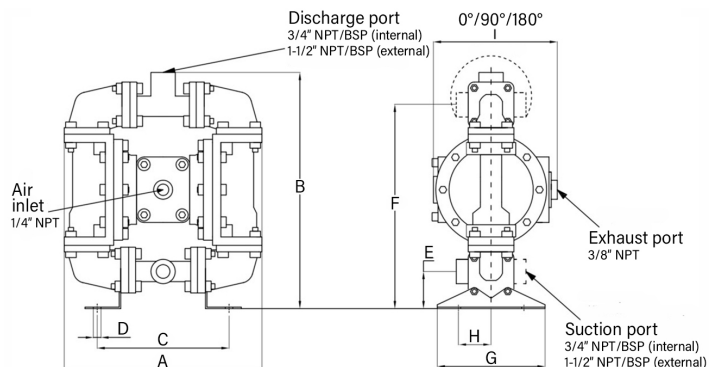


### PERFORMANCE CURVE

Pump tested in water with inlet submerged



### GA DRAWINGS



Port Size	Air Inlet Size	Exhaust Port Size	A	B	C	D	E	F	G	H	I	mm/inches
			mm inches	mm inches	mm inches	mm inches	mm inches	mm inches	mm inches	mm inches	mm inches	standard muffler
3/4" NPT/BSP (internal)	1/4" NPT	3/8" NPT	300	357	184	9	64	297	143	57	179	222
1-1/2" NPT/BSP (external)	1/4" NPT	3/8" NPT	11.81"	14.06"	7.24"	0.36"	2.52"	11.69"	5.63"	2.24"	7.05"	8.74"