

PUMP SPECIFICATIONS

PORT SIZE

- 3" BSP or NPT female

MAX FREE FLOW ON WATER AT 20°C/68°F

- 878 LPM / 232 USGPM

(on some models 20% reduction should PTFE Diaphragms be fitted)

VOLUME DISPLACE PER FULL CYCLE

- 10.6 Litres / 2.8 US Gallons

MIN/MAX WORKING PRESSURE @ 20°C/68°F

- 1.4-8.0 Barg / 20-120 Psig

PUMP BODY MIN/MAX WORKING TEMP

- Aluminium - 4-107°C / 40-225°F

MAX PUMPABLE PARTICLE SIZE

- 9.5mm / 3/8"

MAX DRY SUCTION LIFT ON WATER

- 4.6 metres / 14 feet (Rubber Ball)

MAX WET SUCTION LIFT ON WATER

- 7.6 metres / 23 feet (Rubber Ball)

MAX AIR CONSUMPTION

- 125 scfm / 213m³/hr

AIR INLET PORT SIZE

- 3/4" NPT female

AIR OUTLET PORT SIZE / MUFFLER

- 1" NPT female

MAX SOUND POWER LEVEL (DBA - ISO 9614-2)

- 95 dBA

(at max air inlet pressure - will reduce with air pressure)

BODY MATERIALS AVAILABLE AND WEIGHT

- Aluminium - 53 kg / 116 lb

DIAPHRAGM & CHECK VALVE

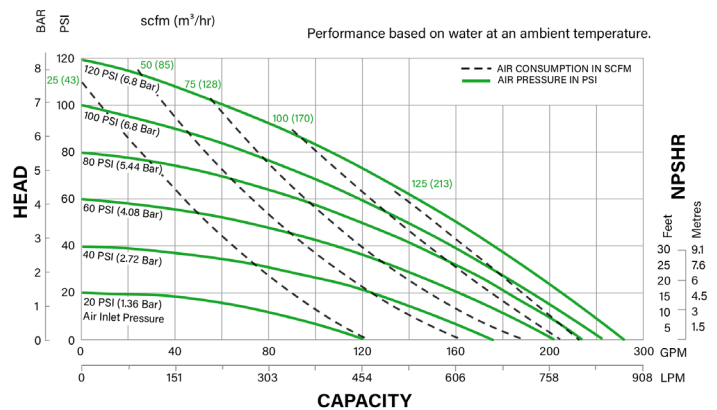
MATERIALS AVAILABLE

- Neoprene
- Buna-Nitrile
- EPDM
- PTFE
- Santoprene
- FKM

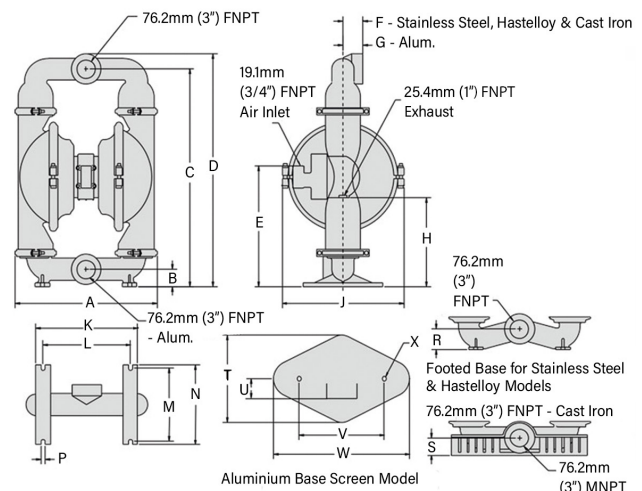


PERFORMANCE CURVE

Pump tested in water with inlet submerged



GA DRAWINGS



Port Size	Air Inlet Size	Exhaust Port Size	A	B	C	D	E	F	G	H	J	K	L	M	N	P	R	S	T	U	V	W	X
			mm inches																				
3" NPT/ BSP	3/4" NPT	1" NPT	505.2 19.9"	59.5 2.34"	760.6 29.96"	821.7 32.37"	418.4 16.5"	71.4 2.81"	68.3 2.68"	312.5 12.31"	425.5 16.75"	360.4 14.18"	304.8 12"	257.8 10.15"	281.8 11.09"	15 0.62"	69.6 2.75"	65.8 2.59"	305.4 12.03"	42.9 1.68"	305.4 12.03"	475.9 18.75"	15.9 0.62"