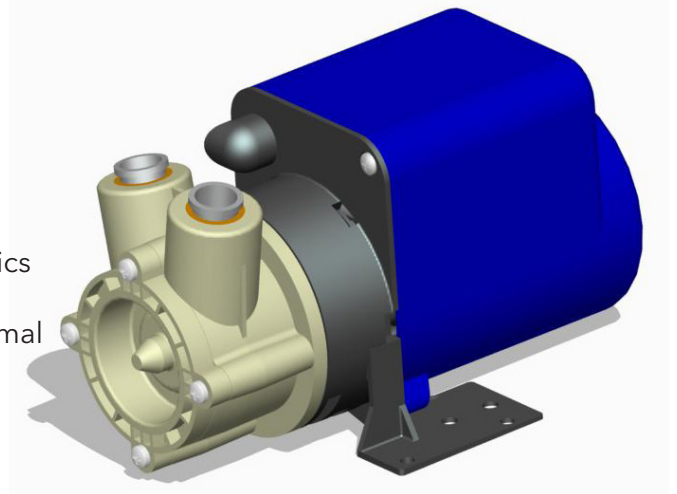


PRINCIPAL APPLICATIONS

Designed for continuous recirculation of carbonated water, aggressive chemicals, chilled water, pure or precious liquids in high pressure systems.

FEATURES

- Manufactured from chemically resistant thermoplastics
- Operating at an optimum flow rate of 3 litres/minute
- Magnetic coupling provides an energy efficient thermal shield, minimising heat transfer to the pumped fluid.
- Temperature stability and product purity ensured
- Leak free continuous operation
- Drip-proof IP22 motor housing
- Low condensation
- Nitrile o rings standard. Other materials available
- Zero maintenance
- PPS pump head
- Long life



OPTIONS

HPR6/8

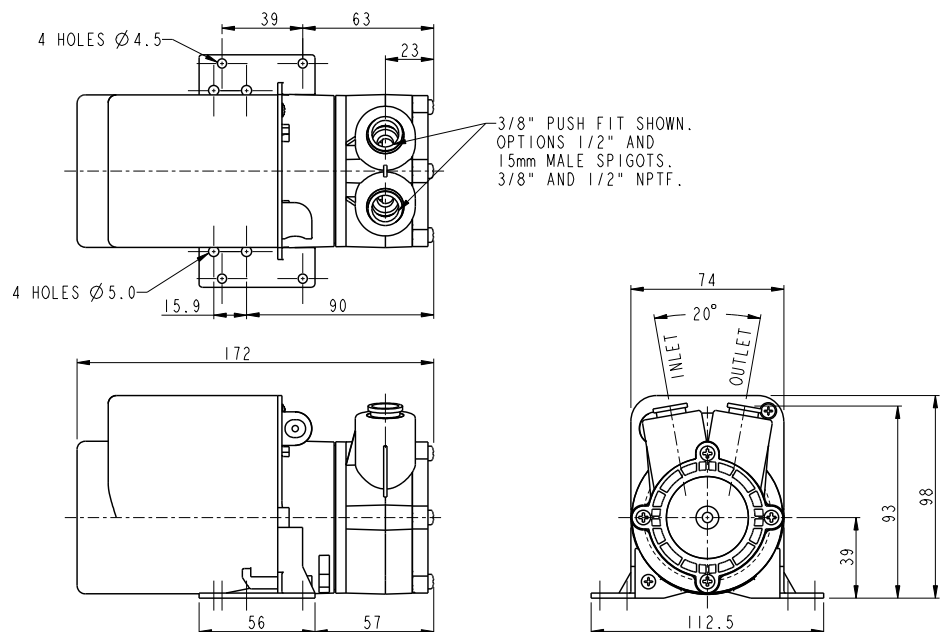
230V 1Ph 50/60 Hz
110V 1Ph 50/60Hz

Port Details

1/2" OD plain
15mm OD plain
3/8" ID push fit

DIMENSIONS

Drawings not to scale
Dimensions in millimetres

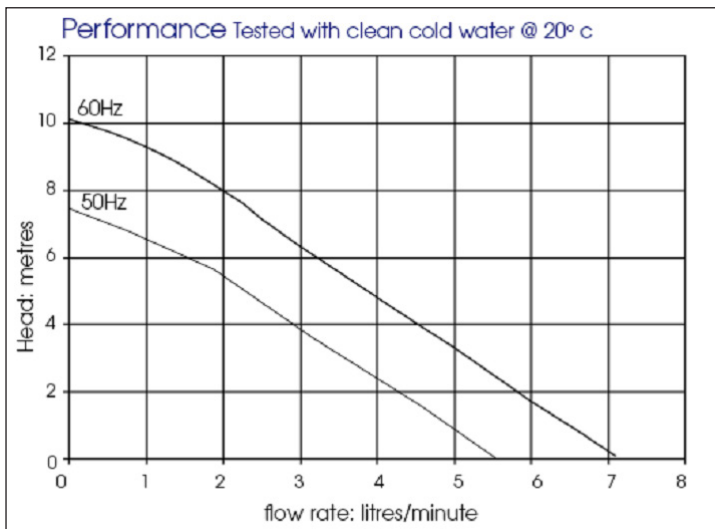


SPECIFICATION

Model	Overall height (mm)	Overall length (mm)	Overall width (mm)	Weight (kg)	Max body pressure (bar)	Run-out flow rate (l/min)	Closed valve head (m)	Temp range (degC)	*Max specific gravity	Motor output (watts)
HPR6/8	98	172	113	2.5	10	5.5	7.4	-20 to +85	1.2	18

*Assuming maximum viscosity of 30cp. Refer to Totton Pumps for higher viscosities and specific gravities

PERFORMANCE



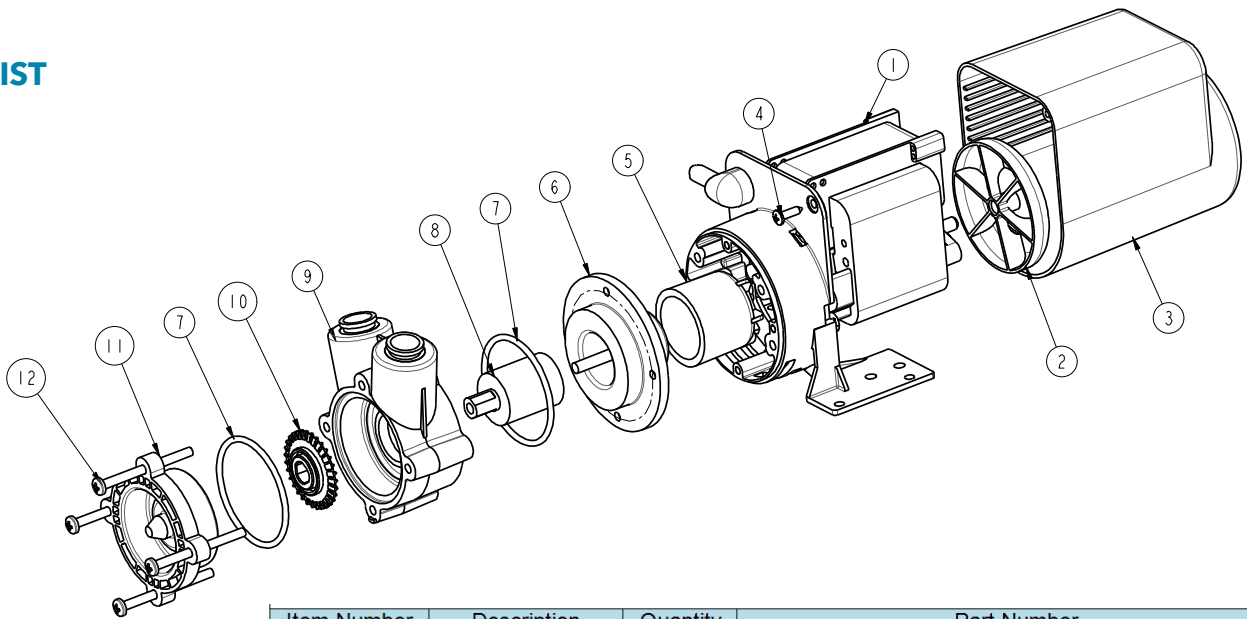
NOTE: These magnetically coupled pumps are designed for use with clean fluids.

Solids will cause jamming. Abrasives will reduce pump life and invalidate the warranty.

HPR pumps are not self priming and are not designed to run dry.

The company reserves the right to change specifications.

PART LIST



Item Number	Description	Quantity	Part Number		
1	Motor	1	-		
2	Fan	1	033322		
3	Motor Cover	1	043335		
4	Screw	2	001739		
5	Drive Magnet	1	023267		
6	Spindle Housing	1	043321		
7	O Ring	2	013394 Nitrile	013291 EPDM	003265 Viton
8	Driven Magnet	1	033248		
9	Pump Body	1	043324 1/2"OD Ports	043323 15mm OD Ports	043327 3/8" ID Ports
10	Impeller	1	033323		
11	Front Cover	1	043322		
12	Screw	4	022112		

xylem
Let's Solve Water

www.xyleminc.com

UK
Xylem
Bingley Road, Hoddesdon
Hertfordshire EN11 0BU
Tel: +44 (0) 1992 450145
Fax: +44 (0) 1992 467132

USA
Xylem
100 Cummings Center Drive
Suite 535-N, Beverly, MA 01915
Tel: +1 978 281-0440
Fax: +1 978 283-2619

ITALY
Xylem
Via Tommaseo, 6
20059 Vimercate, Milano
Tel: +39 039 685 2323
Fax: +39 039 666 307

GERMANY
Xylem
Oststrasse 28
22844 Norderstedt
Tel: +49-40-53 53 73-0
Fax: +49-40-53 53 73-11

JAPAN
Xylem
3-21-10, Shin-Yokohama
Kohoku-Ku, Yokohama, 222-0033
Tel: +81-045-475-8906
Fax: +81-045-477-1162

Warranty: All products of the company are sold, and all services of the company are offered subject to the company's warranty and terms of sale, copies of which will be furnished upon request. Details correct at time of printing. We reserve the right to change specifications without prior notice.