

PRINCIPAL APPLICATIONS

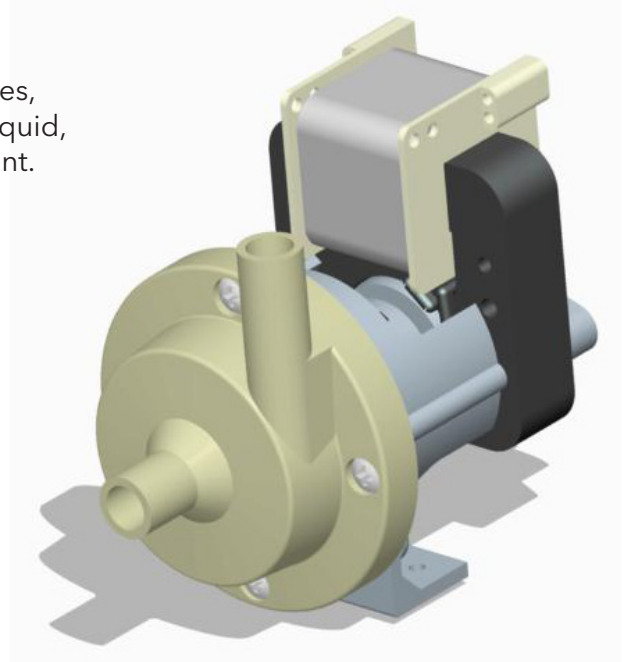
Hot and cold drinks vending machines ice maker machines, where the sealless design ensures the purity of vended liquid, preventing contaminants introducing bacteria or taste taint.

WETTED MATERIALS

- PP Pump Body
- Stainless steel spindle
- Nitrile or Silicone 'O' ring

FEATURES

- Low power consumption
- Variable mounting foot positions
- Customer choice of plug & lead length
- Designed for a minimum 5 years normal operation
- NSF/CE Approved

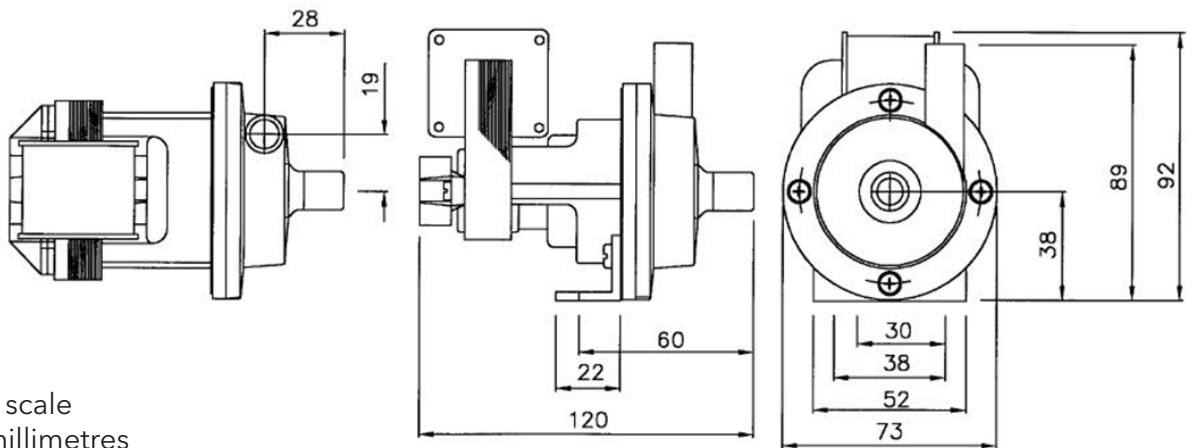


OPTIONS

VM8/2

230V 1ph 50/60 Hz Plain 13 mm
230V 1ph 50/60 Hz 1/4" BSP M

Port Details



Mounting foot holes: M5

DIMENSIONS

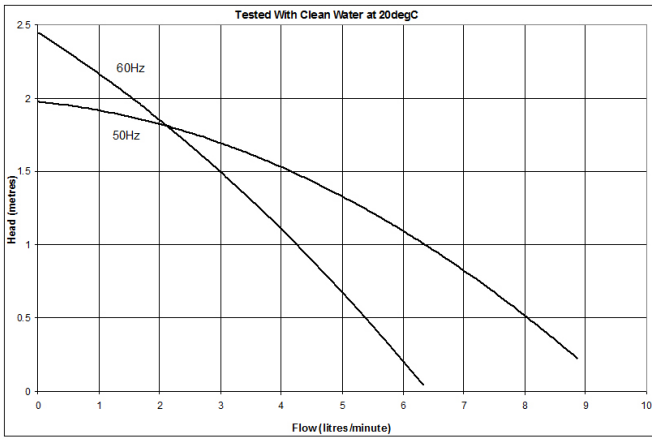
Drawings not to scale
Dimensions in millimetres

SPECIFICATION

Model	Overall height (mm)	Overall length (mm)	Overall width (mm)	Weight (kg)	Max body pressure (bar)	Run-out flow rate (l/min)	Closed valve head (m)	Temp range (degC)	*Max specific gravity	Motor output (watts)
VM8/2 50/60 Hz	92	120	73	0.8	1.4	50Hz 9	1.9	-20 to +85	1.0	5
						60Hz 6.3	2.4			

*Assuming maximum viscosity of 30cp. Refer to Totton Pumps for higher viscosities and specific gravities

PERFORMANCE



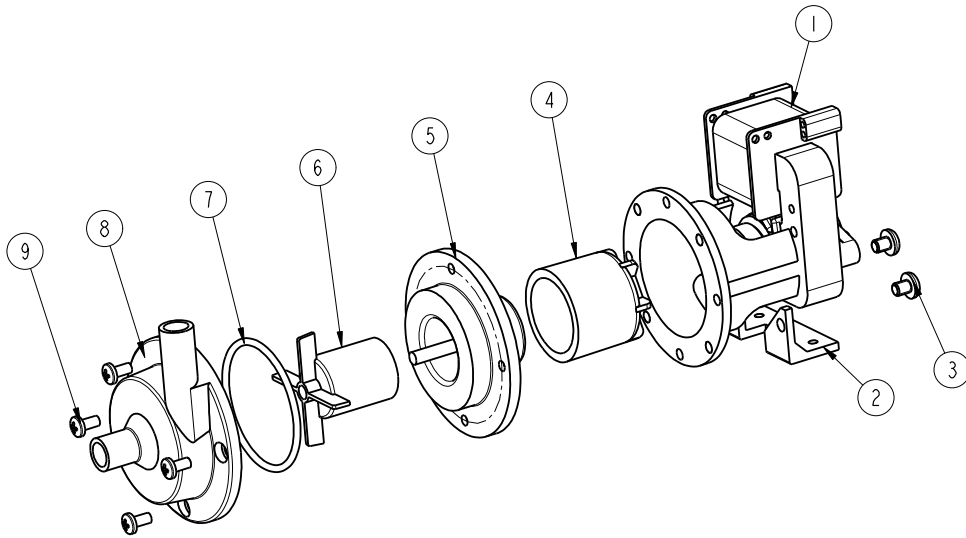
NOTE: These magnetically coupled pumps are designed for use with clean fluids.

Solids will cause jamming. Abrasives will reduce pump life and invalidate the warranty.

VM pumps are not self priming and are not designed to run dry.

The company reserves the right to change specifications.

PART LIST



Item Number	Description	Quantity	Part Number	
1	Motor	1	-	
2	Mounting Bracket	1	043308	
3	Screw	1	031427	
4	Drive Magnet	1	023267	
5	Spindle Housing	1	003357	
6	Impeller	1	003355	
7	O-ring	1	003224 (Nitrile)	023224 (Silicone)
8	Pump Body	1	013359 (plain)	033234 (threaded)
9	Screw	4	022126	



www.xylem.com

UK
Xylem
 Bingley Road, Hoddesdon
 Hertfordshire EN11 0BU
 Tel: +44 (0) 1992 450145
 Fax: +44 (0) 1992 467132

USA
Xylem
 100 Cummings Center Drive
 Suite 535-N, Beverly, MA 01915
 Tel: +1 978 281-0440
 Fax: +1 978 283-2619

ITALY
Xylem
 Via Tommaseo, 6
 20059 Vimercate, Milano
 Tel: +39 039 685 2323
 Fax: +39 039 666 307

GERMANY
Xylem
 Oststrasse 28
 22844 Norderstedt
 Tel: +49-40-53 53 73-0
 Fax: +49-40-53 53 73-11

JAPAN
Xylem
 3-21-10, Shin-Yokohama
 Kohoku-Ku, Yokohama, 222-0033
 Tel: +81-045-475-8906
 Fax: +81-045-477-1162

Warranty: All products of the company are sold, and all services of the company are offered subject to the company's warranty and terms of sale, copies of which will be furnished upon request. Details correct at time of printing. We reserve the right to change specifications without prior notice.