

Eccentric Shaft Kits and Roller Kits

407149B

SoloTech™ Peristaltic Pumps

EN

**Important Safety Instructions**

Read all warnings and instructions in the SoloTech™ Peristaltic Pump Operation and Repair/Parts manuals. Save all instructions.



WARNING

FIRE AND EXPLOSION HAZARD

To reduce the risk of fire or explosion that can result from static sparking or chemical incompatibility:

- All pumps ship with glycerin hose lubricant. Verify hose lubricant is compatible with your pumped fluid. Do not use glycerin hose lubricant if pumping strong oxidizers or acids.
- Keep the pump properly filled with genuine Graco hose lubricant.

Eccentric Shaft Kits

Kit 24Y837, ST10
Kit 24Y838, ST23
Kit 24Y839, ST26
Kit 24Y840, ST30

Kits include:

Ref.	Description	Qty.
9	SHAFT, eccentric	1
10	RING, retaining, external	1

Roller Kits

Kit 24Y789, ST10
Kit 24Y794, ST23
Kit 24Y795, ST26
Kit 24Y796, ST30

Kits include:

Ref.	Description	Qty.
11	ROLLER, assembly; includes rear shaft seal	1
12	RING, retaining, external	1
13a	SEAL, eccentric shaft, front	1

Roller Seal Kits

Kit 24Y845, ST10
Kit 24Y846, ST23
Kit 24Y847, ST26 and ST30

Kits include:

Ref.	Description	Qty.
13a	SEAL, eccentric shaft, front	1
13b	SEAL, eccentric shaft, rear	1

Hose Lubricant Kits**Glycerin Hose Lubricant**

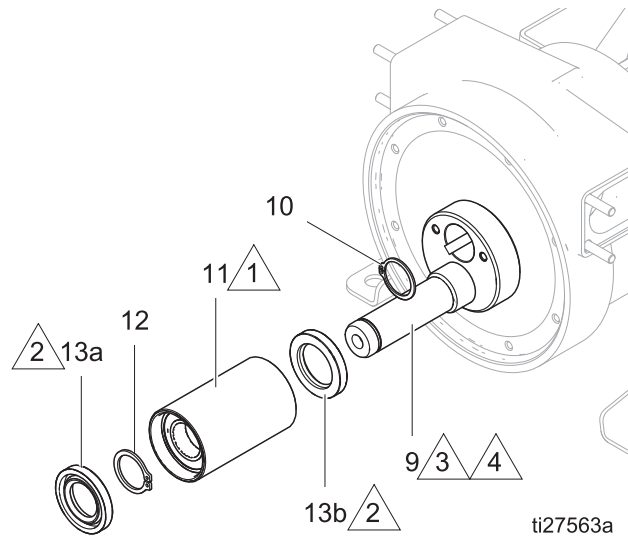
24K691 1-quart (0.95 liter)
24Y920 2-quart (1.89 liter)
24K693 1-gallon (3.79 liter)
24M435 55-gallon (208 liter)

Silicone Hose Lubricant

24K686 1-gallon (3.79 liter)
24M434 55-gallon (208 liter)

See page 2 for parts illustration and installation notes.

NOTE: Reference numbers match the Repair and Parts manual



- ① The orientation groove on one end of the roller must face out of the pump housing.
- ② Seal lips must face **out** from the center of the roller.
- ③ Apply an anti-seize compound to the center bore of the eccentric shaft before installing it on the motor shaft.
- ④ Lubricate the eccentric shaft with hose lubricant before installing the roller.