



# Leak Sensor Kit 24Y849

407150C

## SoloTech™ Peristaltic Pumps

EN



### Important Safety Instructions

Read all warnings and instructions in the SoloTech™ Peristaltic Pump Operation and Repair/Parts manuals. Save all instructions.



## WARNING

### FIRE AND EXPLOSION HAZARD

To reduce the risk of fire or explosion that can result from static sparking or chemical incompatibility:

- All pumps ship with glycerin hose lubricant. Verify hose lubricant is compatible with your pumped fluid. Do not use glycerin hose lubricant if pumping strong oxidizers or acids.
- Keep the pump properly filled with genuine Graco hose lubricant.

1. Remove the plug (29).
2. Install the elbow (A).
3. Screw the housing (B) into the elbow.
4. Screw the leak sensor (C) into the housing.

### Hose Lubricant Kits

#### Glycerin Hose Lubricant

24K691	1-quart (0.95 liter)
24Y920	2-quart (1.89 liter)
24K693	1-gallon (3.79 liter)
24M435	55-gallon (208 liter)

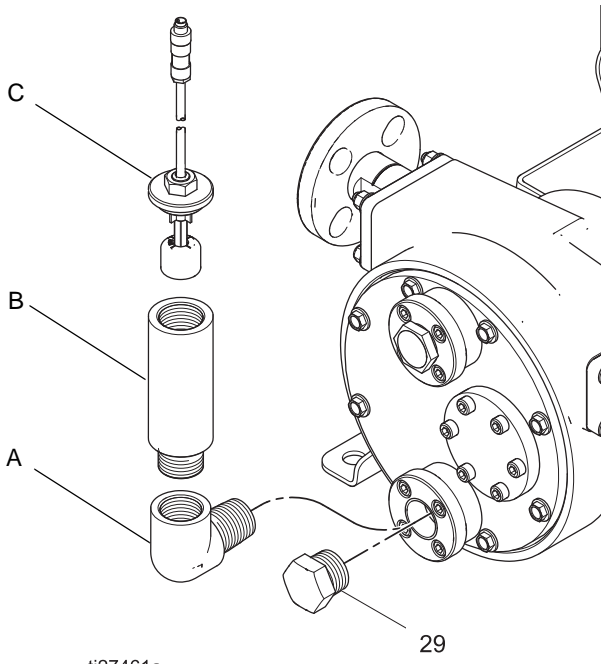
#### Silicone Hose Lubricant

24K686	1-gallon (3.79 liter)
24M434	55-gallon (208 liter)

See page 2 for parts illustration.

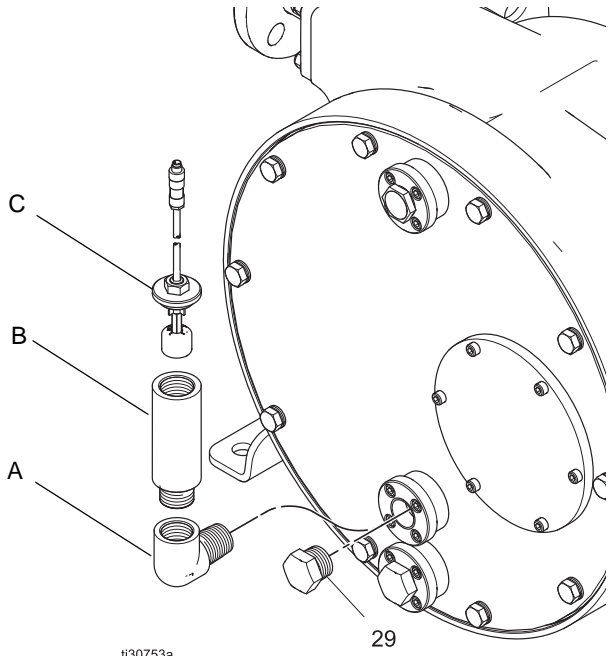
Ref.	Description	Qty.
A	ELBOW, 3/4 npt	1
B	HOUSING	1
C	LEAK SENSOR	1

Reference numbers match the Repair and Parts manual.



ti27461a

**SoloTech 10 and 23**



ti30753a

**SoloTech 26 and 30**