

## ALPHA3



TM07 1206 1118

### Product description

The Grundfos ALPHA3 pump is designed for circulating liquids in systems with variable flow rates where it is desirable to optimise the setting of the pump duty point to reduce energy costs.

The ALPHA3 is completely controlled with Grundfos GO Remote via Bluetooth, which gives you step by step assistance to pump configuration, maintenance and commissioning, including:

- operating and control modes.
- scheduling for when the pump should operate and when not.
- warning and alarm status with up to 40 fault logs.

Furthermore, ALPHA3 is able to communicate directly with the Grundfos GO Balance app on your smart device, which allows you to hydraulically balance two-pipe radiators and underfloor heating systems in a fast and safe way.

### Intended use

The pump is designed for circulating liquids in heating and air-conditioning systems with temperatures equal to or higher than 2 °C.

### Duty range

Maximum flow rate, Q	3.8 m <sup>3</sup> /h
Maximum head, H	8 m
Maximum system pressure	1.0 MPa (10 bar)
Liquid temperature	2 to 110 °C

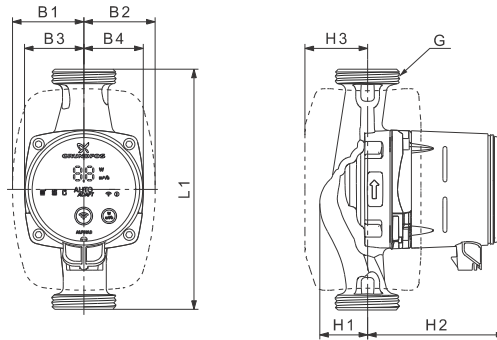
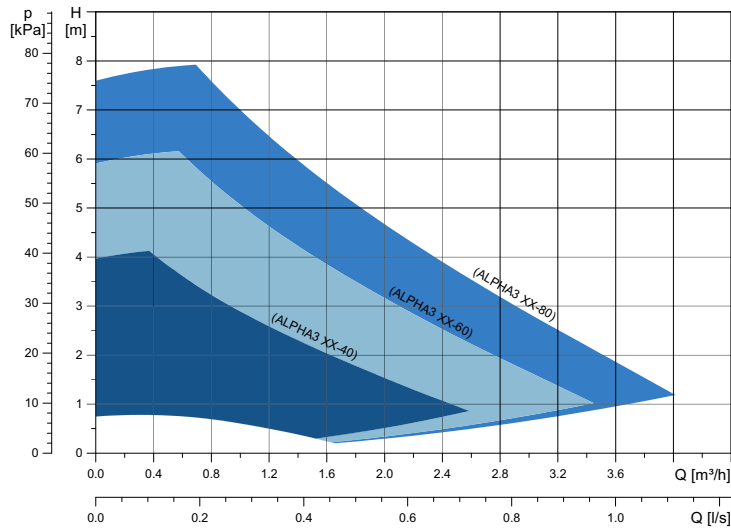
### Features and benefits

- Simple, fast and easy setting, control and monitoring via Grundfos GO Remote.
- Radiator and underfloor heating modes with AUTO<sub>ADAPT</sub>.
- Proportional pressure, constant pressure and constant curve with setpoint adjustment anywhere between the maximum and minimum curve of the chosen setting.
- Customised scheduling with real time clock.
- Summer-mode function.
- Firmware upgrades ensuring that the pump is always up to date and prepared for future digital offerings.
- Pump-venting process after which the pump automatically returns to its initial settings.
- Motor based on permanent-magnet rotor/compact-stator technology.
- Built-in electrical and thermal protection of the pump.
- Low EEI (Energy Efficiency Index).
- Maintenance-free.
- Low noise operation.

### Technical data

Operating conditions		
Ambient temperature	0-40 °C	
System pressure	PN 10: Maximum 1.0 MPa (10 bar)	
Relative humidity	Maximum 95 %	
	<b>Liquid temperature</b>	
	<b>Min. inlet pressure</b>	
Inlet pressure	≤ 75 °C	0.005 MPa (0.05 bar)
	90 °C	0.028 MPa (0.28 bar)
	110 °C	0.108 MPa (1.08 bar)
Electrical data		
Supply voltage	1 x 230 V - 10 %/+ 10 %, 50/60 Hz, PE	
Insulation class	F	
Miscellaneous data		
Motor protection	The pump requires no external motor protection.	
Temperature class	TF110 to EN 60335-2-51	
Enclosure class	IPX4D	
Specific EEI	ALPHA3 XX-40	≤ 0.15
	ALPHA3 XX-60	≤ 0.17
	ALPHA3 XX-80	≤ 0.18
Radio communication	Bluetooth	
	GLoWPAN	

## Performance range



Pump type	Dimensions [mm]								Weights [kg]		Ship. vol. [dm <sup>3</sup> ]	
	L1	B1	B2	B3	B4	H1	H2	H3	G	Net		Gross
ALPHA3 15-40	130	54	54	44	44	36	104	47	G 1	1.7	1.9	0.004
ALPHA3 15-50/60*	130	54	54	44	44	36	104	47	G 1 1/2	1.9	2.0	0.004
ALPHA3 15-60	130	54	54	44	44	36	104	47	G 1	1.7	1.9	0.004
ALPHA3 15-80	130	54	54	44	44	36	104	47	G 1	1.7	1.9	0.004
ALPHA3 25-40	130	54	54	44	44	36	104	47	G 1 1/2	1.9	2.0	0.004
ALPHA3 25-40	180	54	54	44	44	36	104	47	G 1 1/2	2.0	2.1	0.004
ALPHA3 25-60	130	54	54	44	44	36	104	47	G 1 1/2	1.9	2.0	0.004
ALPHA3 25-60	180	54	54	44	44	36	104	47	G 1 1/2	2.0	2.1	0.004
ALPHA3 25-80	130	54	54	44	44	36	104	47	G 1 1/2	1.9	2.0	0.004
ALPHA3 25-80	180	54	54	44	44	36	104	47	G 1 1/2	2.0	2.1	0.004
ALPHA3 32-40	180	54	54	44	44	36	104	47	G 2	2.1	2.3	0.004
ALPHA3 32-60	180	54	54	44	44	36	104	47	G 2	2.1	2.3	0.004
ALPHA3 32-80	180	54	54	44	44	36	104	47	G 2	2.1	2.3	0.004

\* Available in UK only.

For further product documentation and product numbers, see below.  
<http://net.grundfos.com/qr/i/99392358>



**99398736** 0518  
 ECM: 1223890