

UPS3



Product description

UPS3 is a circulator pump designed to be used in domestic heating systems with either variable or constant flow rate. The pump automatically controls the differential pressure by adjusting the pump performance to the actual heating demand without the use of external components.

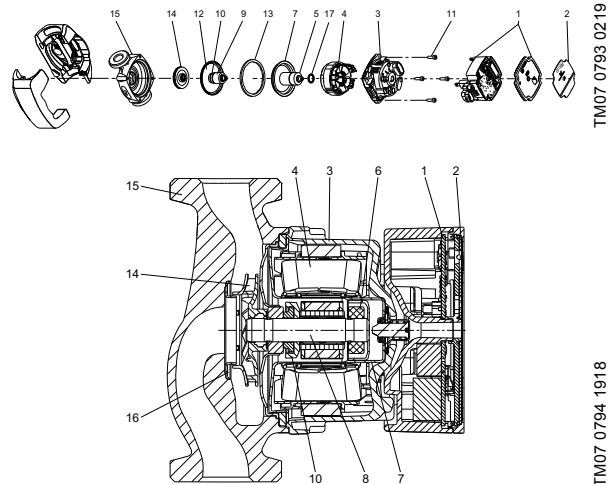
Features

- Three constant curves/constant speed curves.
- Two proportional-pressure curves.
- Two constant-pressure curves.
- Speed control via a low-voltage PWM (Pulse Width Modulation) signal profile A (heating). The PWM signal is a method for generating an analog signal using a digital source.
- Low EEI (Energy Efficiency Index).
- Deblocking device.
- Alarm and warning indication
- Low noise level.
- Very simple installation.

Technical data

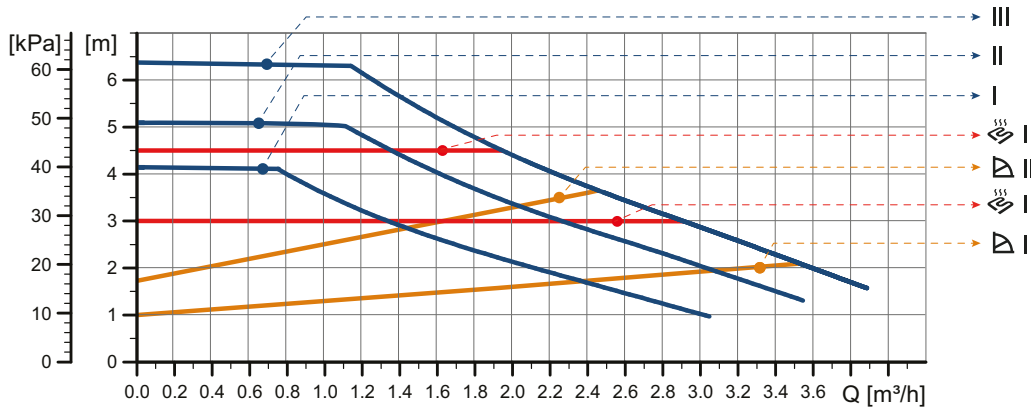
Operating conditions	
Ambient temperature	0-55 °C
Liquid temperature	2-95 °C
System pressure	PN 10: Maximum 1.0 MPa (10 bar)
Relative humidity	Maximum 95 %
	Liquid temperature Min. inlet pressure
Inlet pressure	75 °C 0.005 MPa, 0.05 bar
	95 °C 0.05 MPa, 0.5 bar
Electrical data	
Supply voltage	1 x 230 V - 15 %/+ 10 %, 50/60 Hz, PE
Insulation class	F
Miscellaneous data	
Motor protection	The pump requires no external motor protection.
Temperature class	TF95
Enclosure class	IPX4D
Specific EEI	≤ 0.20

Material specification



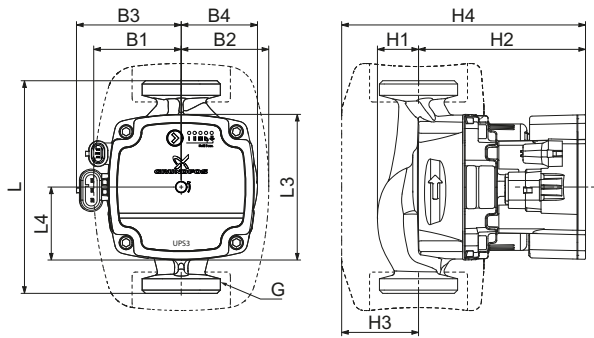
Pos.	Component	Material	EN/DIN
	Control box	Composite PC-GF10 FR	
1	Control electronics	PCB with SMD components	
	Control box heat sink	Aluminium	
	Front foil	LEXAN 8A13F	
2	Stator housing	Aluminium, silumin	
4	Stator	Copper wire	
	Stator lamination	Laminated iron	
	Push deblocking device		
	Plunger	Stainless steel	1.4404
	Spring	Stainless steel	1.4310
5	Housing for spring	Stainless steel	1.4401
	Guide disc	Stainless steel	1.4401
	Housing for sealing	Stainless steel	1.4401
	Sealing	EPDM	
6	Radial bearing	Ceramics	
7	Rotor can	Stainless steel	1.4401
8	Shaft	Ceramics	
	Rotor	NdFeB	
9	Rotor tube	Stainless steel	1.4521
	Rotor cladding	Stainless steel	1.4401/ 1.4301
	Bush	Stainless steel	1.4301
10	Thrust bearing	Carbon	
	Thrust bearing retainer	EPDM	
11	Screws	Steel, eco-lubric coated	
12	Bearing plate	Stainless steel	1.4301
13	Gasket	EPDM	
14	Impeller	Composite/PES 30 % GF	
15	Pump housing	Cast iron GG15	EN-GJL-150
		Stainless steel	1.4308
16	Neck ring	Stainless steel	1.4301
17	O-ring	EPDM	

Performance curve



TM07 15 19 1618

Dimensions



TM07 0792 1518

Pump type	Dimensions [mm]											
	L1	L3	L4	B1	B2	B3	B4	H1	H2	H3	H4	G
UPS3 15-50/65	130	89	45	54	54	64	47	25	102	47	149	G 1 1/2

Pump product number

Product type	Product number
UPS3 15-50/65	99199622

Insulating shells

The insulating shells can be ordered as accessories.

Pump type	Product number
UPS3 15-50/65	99270706

Cables

	Length [mm]	Product number
Mini superseal signal cable (PWM input signal)	2000	99165309
Superseal power cable	2000	99198990
Power cable adapter: Superseal Molex cable adapter, overmoulded	150	99165311
Power cable adapter: Superseal Volex cable adapter, overmoulded	150	99165312

Union and valve kits

		Product numbers			
		Union nut with internal threads		Union nut with external threads	
UPS3	Connection				
		3/4	1	1 1/4	1
15-xx	G 1 1/2	529921	529922	529821	529925 529924

The product number for the standard sizes is printed in bold.

UPS3 is only available in UK.
For further product documentation, see ALPHA1 L data booklet at: <http://net.grundfos.com/qr/i/99169580>



99424000 0219
ECM: 1254606