



500 Size Hygienic Stainless Steel FIP Pump

8/00

28620 Series

Hygienic Stainless Steel Head Kit Pump

Features

- Self primes from dry up to 5.0 metres
- Flows up to 520 litres per minute
- Pressure up to 5.0 bar†
- Handles soft solids - max. 18mm diameter
- Certified to US 3A Standard 02-09
- Clean-In-Place (CIP) or easy strip clean
- Handles viscosities up to 10,000 centiPoise
- Minimal shear to thixotropic fluids
- Quick release end cover clamp



Typical Applications

- Foods, sauces, doughs, preserves, liquid egg, meat pastes
- Dairy products, milk, cream, yoghurt, cheeses
- Cosmetics, toothpaste, shampoos, soaps
- Pharmaceutical creams & lotions
- Wines, beers, soft drinks, fruit juices & syrups
- Ingredients unloading and transfer
- Tank filling and emptying
- Recirculation and mixing
- Portion and container filling
- Brine injection
- Sampling, filtration and more

Specifications

Seal : Carbon / Stainless steel mechanical face
Tungsten Carbide / Stainless steel hard faced
Flushed options for crystallising fluids

Seal Elastomer : Food grade Nitrile O-rings

Pump Head : Stainless steel 316, machined interior and electropolished exterior finish

End Cover : Stainless steel 316 grade

Shaft : Stainless steel 316 grade special motor shaft

Bearings : Uses motor bearings

Motor Adaptor : Cast 316 grade Stainless steel

Ports :			
2½"	Tri-Clamp		28620-1xxx
63.5mm	IDF/ISS		28620-3xxx
2½"	RJT to BS1864		28620-4xxx
2½"	3A Bevel Seat		28620-5xxx
65mm	DIN 11851		28620-6xxx
63.5mm	SMS 1145		28620-7xxx

Model Range

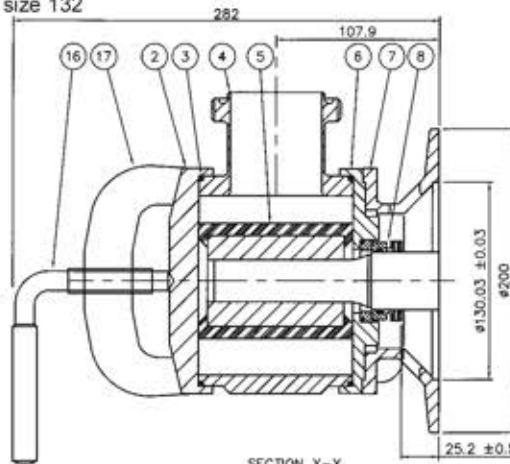
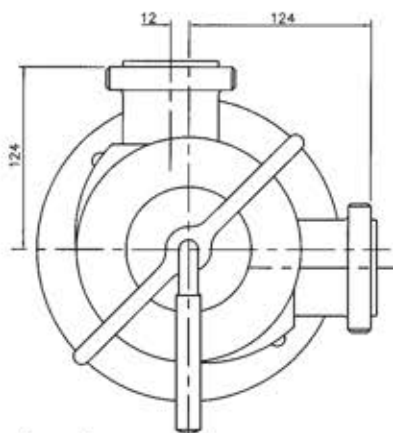
Weight : 15.0kg

Pressure options	Standard - Max 2.0 bar		High - Max 5.0 bar†	
Elastomer option	3A Neoprene		3A Neoprene	
Temperature range	4°C to 65°C		4°C to 65°C	
Mechanical Seal Options				
Carbon/Stainless Steel			28620-x125	
Tungsten Carbide/SS hard faced				
Flushed Mechanical Seal				
Tungsten Carbide/SS hard faced				
Carbon/Stainless Steel				
For models not listed above, consult distributor or factory, 'x' Substitute port code from table above				
Note : it is not recommended to start the pump at extremes of the temperature range, impeller damage may occur				
For Installation, Operating, Maintenance and Safety Instructions refer to form 43001-0543				

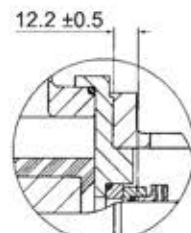
⚠ WARNING Explosion hazard. Do not pump gasoline, solvents, thinners or other flammable liquids. To do so can cause an explosion resulting in injury or death.

† Pressures over 3.0 bar may reduce motor shaft life

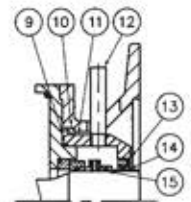
Requires IEC motor with special 316 grade stainless steel shaft (see drawing). Foot and face to IEC B3/B14 frame size 132



28620 Series



Seal setting



Flushed Seal

Dimensions in mm For performance data refer to the 500 size flexible impeller pump performance curves

Parts List

Key	Description	Qty	Part Number
2	Endcover	1	22007
3	O-Ring *	2	See right
4	Body	1	See right
5	Impeller*	1	See right
6	Wearplate	1	28606-0000
7	Motor Adaptor	1	22254-0010
8	Seal Assembly *	1	See right
9	O-Ring	1	X4020-269A
10	Adaptor Ring	1	28626-0000
11	Seal Housing	1	28512-0000
12	Tube	2	21844
13	Seal	1	SP2701-0916
14	Seal Sleeve	1	28627-0000
15	O-Ring	1	X4020-237A
16	Clamp Screw	1	21908
17	Clamp Frame	1	21909-0000

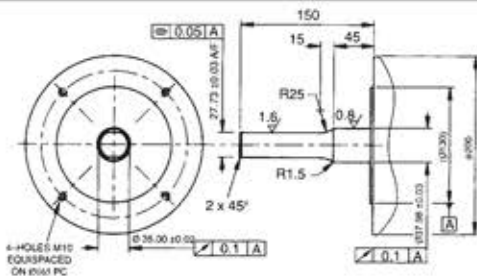
Parts marked * Contained in service kit

Spare Parts & Service Kits

Pressure Rating	Standard	High	
3 O-Ring Nitrile	SP2000-1213	SP2000-1213	
4 Impeller 3A Neoprene	8500-0005	21899-0005B	
	Tri-Clamp	22004-1001	22004-1001
	IDF/ISS	22004-3001	22004-3001
	RJT	22004-4001	22004-4001
	Bevel Seat	22004-5001	22004-5001
5 Body	DIN	22004-6001	22004-6001
	SMS	22004-7001	22004-7001
	Std Mech.	SP6080-0382	SP6080-0382
8 Seals Hard Faced	SP3080-0390	SP6080-0390	
	3A Neoprene	SK395-0105	SK395-0125

Models use Nitrile elastomers on seals and O-rings.

NOTE:- Service Kits contain standard mechanical seals. For hard faced seals, order parts separately.



Other Available Options

Pedestal pumps, for higher pressure capability.

Jabsco

USA

Jabsco
1485 Dale Way
Costa Mesa
CA 92628-2158

Tel : +1 714 545 8251
Fax : +1 714 957 0609

UK

Jabsco
Bingley Road
Hoddesdon
Hertfordshire, EN11 0BU

Tel : +44 (0) 1992 450 145
Fax : +44 (0) 1992 467 132

GERMANY

Jabsco GmbH
Oststraße 28
22844 Norderstedt

Tel : +49 (0) 40 53 53 73 0
Fax : +49 (0) 40 53 53 73 11