

GRINDER JE 2-120 G10 NT22



Electric - Qmax 48 m³/h - (211 USgpm) - Hmax 30 m (98 ft)

Code: 8381064168



Indicative picture of the product

Product Data

Suction port
Threaded - 2" ISO 228 (BSP)

Delivery port
Threaded - 2" ISO 228 (BSP)

Qmax
48 m³/h - 800 l/min (211 USgpm)

Hmax
30 m (98 ft)

Solids handling
25 mm (1")

Motor power
4 kW - 5.5 HP

Motor type
IEC standard
Winding for inverters
Cast iron frame

Motor brand
WEG W22 Premium

Weight
76 kg (167 lb)

Close-coupled self-priming centrifugal pump with electric motor

Characteristics

The J series self-priming centrifugal pumps are used in applications where a rapid priming capacity is required from demanding suction heights combined with the ability to transfer and manage polluted fluids, dirty and abrasives with suspended large diameter solids. The system is based on an inspectable pump casing which also acts as a water tank allowing a first quick priming without auxiliary systems, simplifying management of the system and reducing the time for maintenance. Within the physically permitted suction height limits, J pumps are a more comfortable and reliable solution than submersible pumps and vertical submersed impeller pumps.

Benefits

- 1) Rapid self-priming**
Without foot valve up to a height of 7.5 m (24.5 ft)
- 2) High resistance**
To abrasive liquids which are turbid and sandy
- 3) Semi-open impeller**
High thickness casting impact resistant
- 4) Wear plate**
Easily replaceable bronze wear plate, front to the impeller
- 5) Easy maintenance**
Removable front cover for direct access to the impeller

Applications

Industry:

clean, dirty, sandy, muddy, neutral, alkaline, acidic liquids; low viscous petroleum products, solvents even if dirty; milk of lime, caustic soda; washing, cooling, recirculation, smoke scrubbing.

Treatment:

pumping polluted corrosive wastewater containing sand, mud or solids in suspension; dosing neutralizing liquids; pumping out settled sludge.

Naval:

loading and unloading; bilge pumping; washing, fire-fighting, stripping, sanitary duty and circulation.

Agriculture:

surface irrigation; liquid manure oxygenation; transfer and spraying liquid manure or fertilizers; distribution of liquid animal feed; transfer of wine must; washing.

Varisco S.r.l. has certified its Quality, Environment and Safety Management System in accordance with the requirements of the international standard ISO 9001-14001-45001, recognized by the Lloyd Register.

GRINDER JE 2-120 G10 NT22

Performance Curves

Test according to **UNI EN ISO 9906 standard - level 2B**

Test liquid: **clean water, density 1.000 kg/m³**

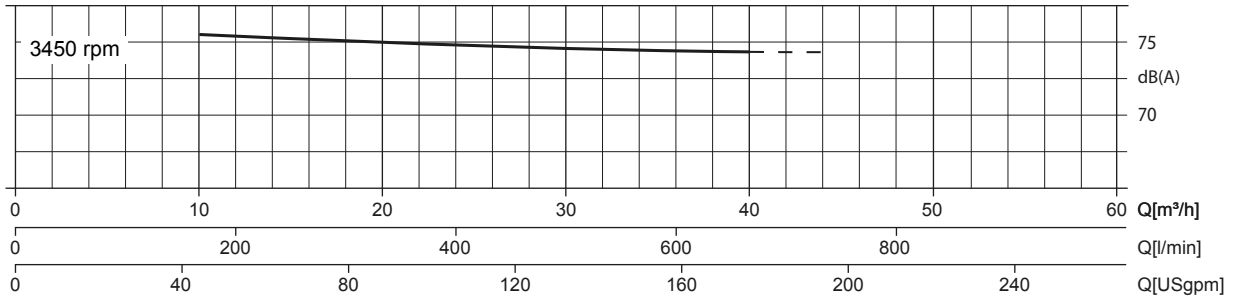
Spherical solids handling: **D.25 mm (1")**

Priming time 3.450 rpm: **26s from 1,5 m (5 ft)**

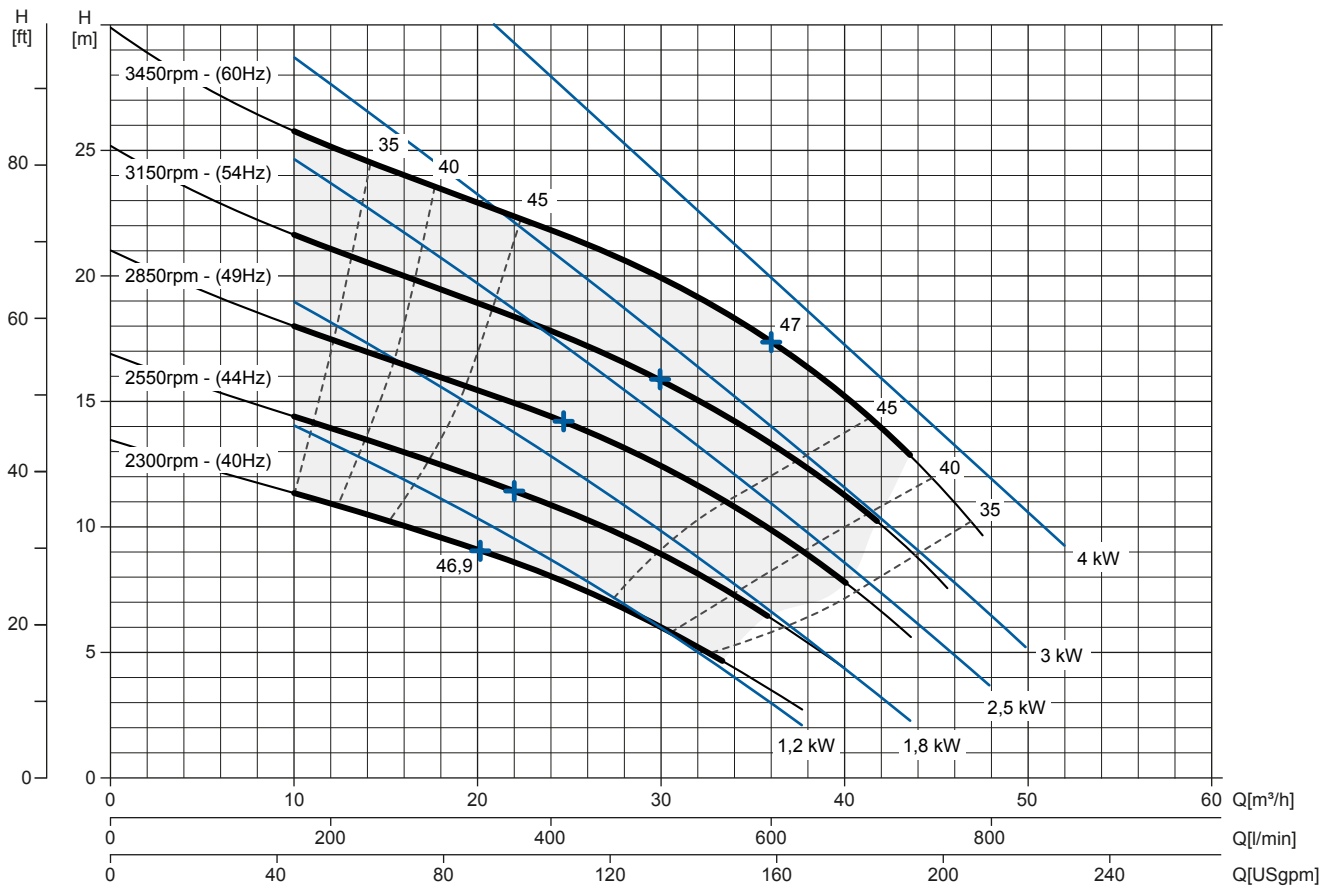
Installed power: **4 kW - 5.5 HP**

Noise curve

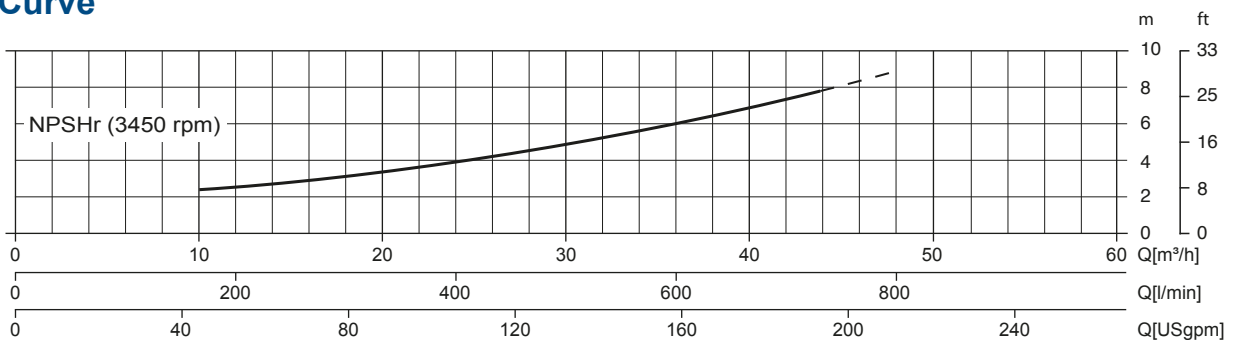
dB(A)=max noise level at 1 m



Multiple speed curve



NPSHr Curve



GRINDER JE 2-120 G10 NT22

TECHNICAL DATA

Pump

Pump model	GRINDER J 2-120 G10
Qmax [3.450 rpm]	48 m³/h - 800 l/min (211 USgpm)
Hmax [3.450 rpm]	30 m (98 ft)
Suction port	Threaded - 2" ISO 228 (BSP)
Delivery port	Threaded - 2" ISO 228 (BSP)
Impeller type	Semi-open. 3 vanes
Solids handling	25 mm (1")
Casing	EN 1561 EN-GJL-200 cast iron
Impeller	EN 1561 EN-GJL-200 cast iron
Wear plate	G-CuSn5Zn5Pb5 EN 1982 bronze with cutting device
Non-return valve	Check-valve. NBR
Shaft	C45E EN steel
Mechanical seal	Silicon carbide / Silicon carbide
Elastomers	NBR
Lubrication	Grease

Motor

Mains supply (Three-phase)	220 VD/380 VY ± 5%	230 VD/400 VY ± 10%	240 VD/415 VY ± 5%	260 VD/460 VY ± 10%	280 VD/480 VY ± 5%
Frequency (Nominal speed)	50 Hz ± 3% / 2.900 rpm			60 Hz ± 3% / 3.450 rpm	
Absorbed current	13.7/7.93 A	13.3/7.62 A	13/7.49 A	11.9/6.75 A	11.6/6.8 A
Starting Current Is/In	7.4	7.7	8	8.9	9.8
Efficiency (100%)	88.1% (IE3)	88.1% (IE3)	88.1% (IE3)	88.5% (IE3)	88.5% (IE3)
Model	WEG W22 Premium				
Standards	IEC 60034-1				
Construction	Cast iron. TEFC				
Mounting arrangement	IM 2101 B34				
No. poles	2				
Rated power	4 kW - 5.5 HP				
Degree of protection	IP55				
Markings	CE. UL. CSA. EAC				
Insulation class/Temperature	F/80°K				
Duty type	Continuous - S1 Variable - suitable for inverter use (30-60 Hz)				
Temperature sensors	PTC, available as option				

Arrangement

Model	Close-coupled N
Dimensions	248 x 735 x 318 mm (9.75 x 28.92 x 12.52")
Painting	Polyurethan enamel, average thickness of 100 µm
Color	RAL 5010 blue (standard)
Features	Close-coupled with rigid coupling "N"
Height connection	0.2 m (0.7 ft)

Options

Flanged ports DN50 PN16 EN1092-2 Type B	cod. 10042783
Flanged ports 2" ANSI B16.1 Class 125 R.F.	cod. 10042818
Automatic mechanical seal greaser	cod. 10008316
Integrated VSD motor inverter	Available by 2021

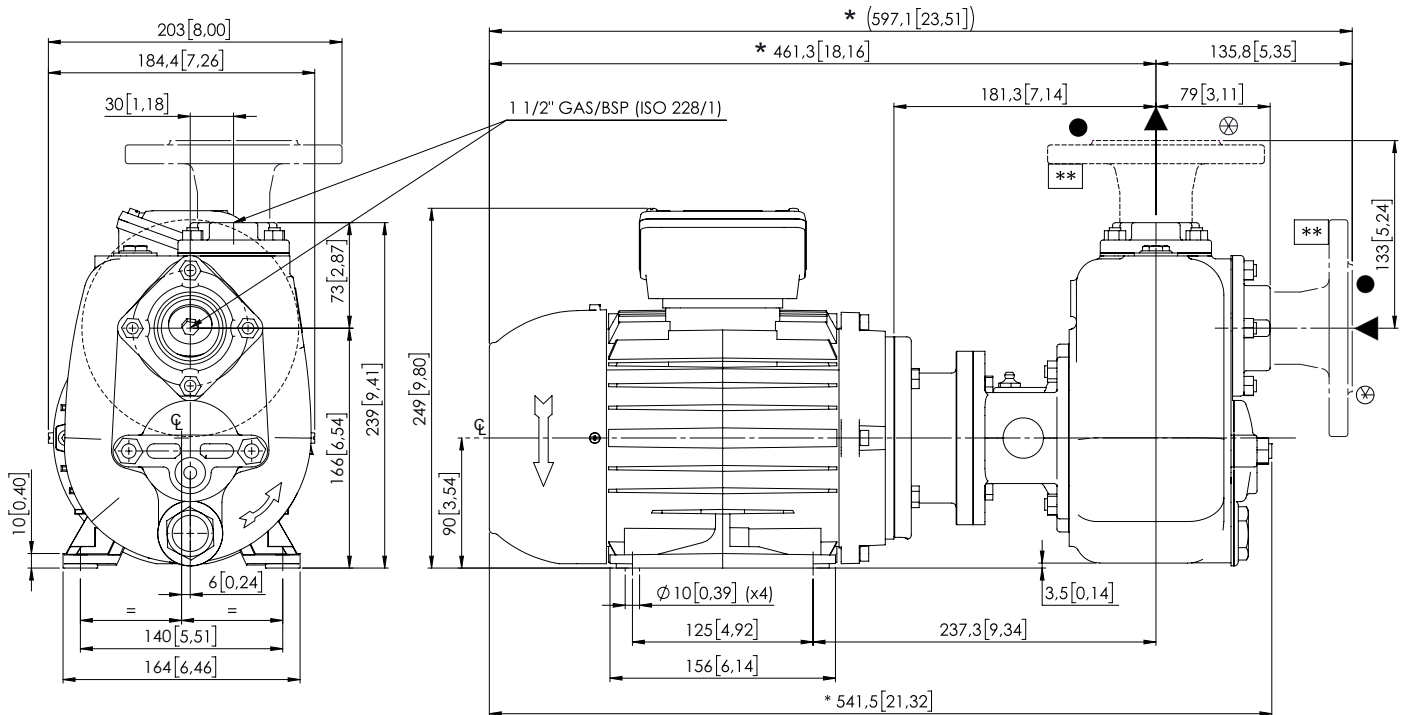
Weight

Net weight	76 kg (167 lb)
------------	----------------

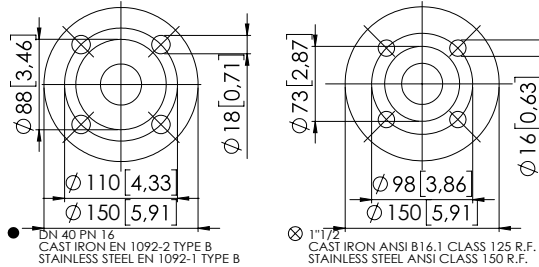
GRINDER JE 2-120 G10 NT22

DIMENSIONS

mm [in]



FLANGIATURA SU RICHIESTA / FLANGES ON REQUEST



PACKAGING DIMENSIONS

Dimensions

GRINDER JE 2-120 G10 NT22 (L x W x H)
mm)

720 x 270 x 480 + BOX

Gross weight (pump + packing)

80 Kg

