

# JE 3-140 K10 NT20



Electric - Qmax 80 m<sup>3</sup>/h - 1333 l/min (352 USgpm) - Hmax 21 m (69 ft)

Code 8381063920



## Product Data

Suction port  
**Threaded - 3" ISO 228 (BSP)**

Delivery port  
**Threaded - 3" ISO 228 (BSP)**

Qmax  
**80 m<sup>3</sup>/h - 1333 l/min (352 USgpm)**

Hmax  
**21 m (69 ft)**

Solids handling  
**28 mm (1,1 ")**

Motor power  
**4 kW - 5,5 HP**

Motor type  
**IEC standard**  
**Winding for inverters**  
**Cast iron frame**

Motor brand  
**WEG W22 Premium**

Weight  
**90 kg**

Indicative picture of the product

## Close-coupled self-priming centrifugal pump with electric motor

### Characteristics

The J series self-priming centrifugal pumps are used in applications where a rapid priming capacity is required from demanding suction heights combined with the ability to transfer and manage polluted fluids, dirty and abrasives with suspended large diameter solids. The system is based on an inspectable pump casing which also acts as a water tank allowing a first quick priming without auxiliary systems, simplifying management of the system and reducing the time for maintenance. Within the physically permitted suction height limits, J pumps are a more comfortable and reliable solution than submersible pumps and vertical submersed impeller pumps.

### Benefits

- 1) Rapid self-priming**  
Without foot valve up to a height of 7.5 m (24.5 ft)
- 2) High resistance**  
To abrasive liquids which are turbid and sandy
- 3) Semi-open impeller**  
High thickness casting impact resistant
- 4) Wear plate**  
Easily replaceable stainless steel wear plate, front to the impeller
- 5) Easy maintenance**  
Removable front cover for direct access to the impeller

### Applications

#### Industry:

clean, dirty, sandy, muddy, neutral, alkaline, acidic liquids; low viscous petroleum products, solvents even if dirty; milk of lime, caustic soda; washing, cooling, recirculation, smoke scrubbing.

#### Treatment:

pumping polluted corrosive wastewater containing sand, mud or solids in suspension; dosing neutralizing liquids; pumping out settled sludge.

#### Naval:

loading and unloading; bilge pumping; washing, fire-fighting, stripping, sanitary duty and circulation.

#### Agriculture:

surface irrigation; liquid manure oxygenation; transfer and spraying liquid manure or fertilizers; distribution of liquid animal feed; transfer of wine must; washing.

Varisco S.r.l. has certified its Quality, Environment and Safety Management System in accordance with the requirements of the international standard ISO 9001-14001-45001, recognized by the Lloyd Register.

# JE 3-140 K10 NT20

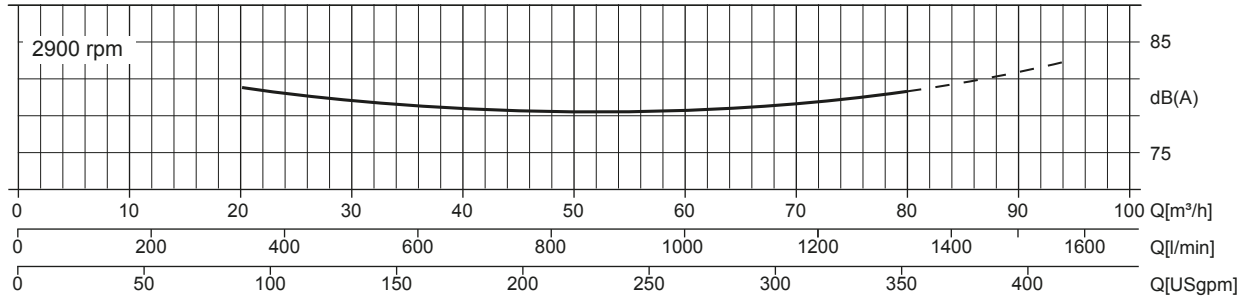
## PERFORMANCE CURVES

Test according to **UNI EN ISO 9906 standard - level 2B**  
 Test liquid: **clean water, density 1.000 kg/m<sup>3</sup>**  
 Spherical solids handling: **D.28 mm (1,1 ")**

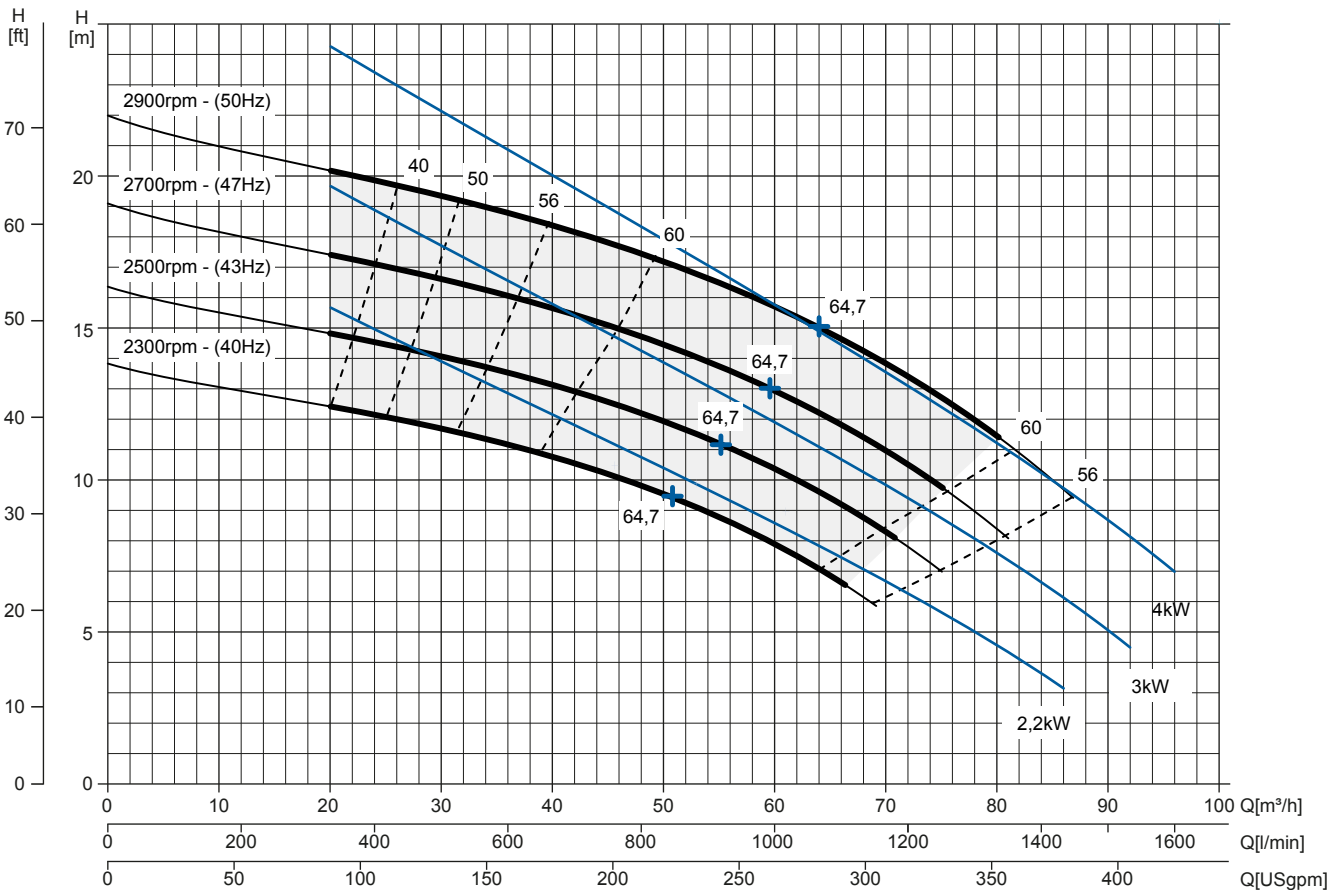
Priming time (2.900 rpm): **26s from 1,5 m (5 ft)**  
 Installed power: **4 kW - 5,5 HP (2900 rpm)**

### Noise Curve

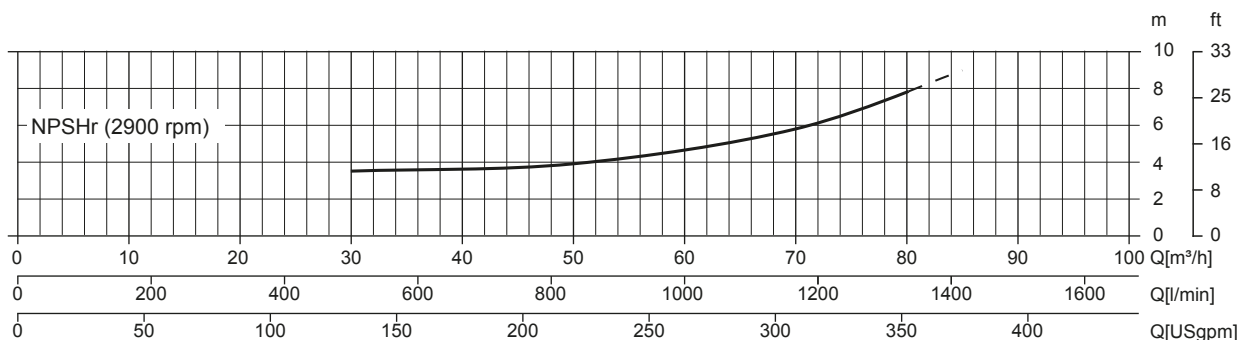
dB(A)=max noise level at 1 m



### Multiple Speed Curve



### NPSHr Curve



# JE 3-140 K10 NT20

## TECHNICAL DATA

### Pump

Pump model	J 3-140 K10
Qmax [2,900 rpm]	80 m <sup>3</sup> /h - 1333 l/min (352 USgpm)
Hmax [2,900 rpm]	21 m (69 ft)
Suction port	Threaded - 3" ISO 228 (BSP)
Delivery port	Threaded - 3" ISO 228 (BSP)
Impeller type	Semi-open, 3 vanes
Solids handling	28 mm (1,1 ")
Casing	stainless steel ASTM A351 CF3M
Impeller	stainless steel inox ASTM A351 CF3M
Wear plate	stainless steel ASTM A351 CF3M
Non-return valve	Check-valve, FKM
Shaft	Stainless steel SAF 2205
Mechanical seal	Silicon carbide / Silicon carbide
Elastomers	FKM
Lubrication	Grease

### Motor

Mains supply (Three-phase)	220 VD/380 VY ± 5% ± 5%	230 VD/400 VY ± 10% ± 10%	240 VD/415 VY ± 5% ± 5%
Frequency (Nominal speed)	<b>50 Hz ± 3% / 2.900 rpm</b>		
Absorbed current	13,7/7,93 A	13,3/7,62 A	13/7,49 A
Starting Current Is/In	7.4	7.7	8
Efficiency (100%)	88,1% ( IE3 )	88,1% ( IE3 )	88,1% ( IE3 )
Model	WEG W22 Premium		
Standards	IEC 60034-1		
Construction	cast iron, TEFC		
Mounting arrangement	IM 2101 B34		
No. poles	2		
Rated power	4 kW - 5,5 HP		
Degree of protection	IP55		
Markings	CE, UL, CSA, EAC		
Insulation class/Temperature	F/80°K		
Duty type	Continuous - S1 Variable - suitable for inverter use (30-50 Hz)		
Temperature sensors	PTC, available as option		

### Arrangement

Model	Close-coupled N
Dimensions	310 x 804 x 470 mm (12 x 31 x 18")
Coating	Polyurethane enamel, average thickness of 100 µm
Color	RAL 5010 blue (standard)
Features	Close-coupled with rigid coupling "N"
Height connection	0,3 m (12")

### Optionals

Flanged ports DN80 PN16 EN1092-1 Type B	cod. 10042791
Flanged ports 3" ANSI B16.1 Class 125 R.F.	cod. 10042827
Automatic mechanical seal greaser	cod. 10008316
Integrated VSD motor inverter	Available by 2021

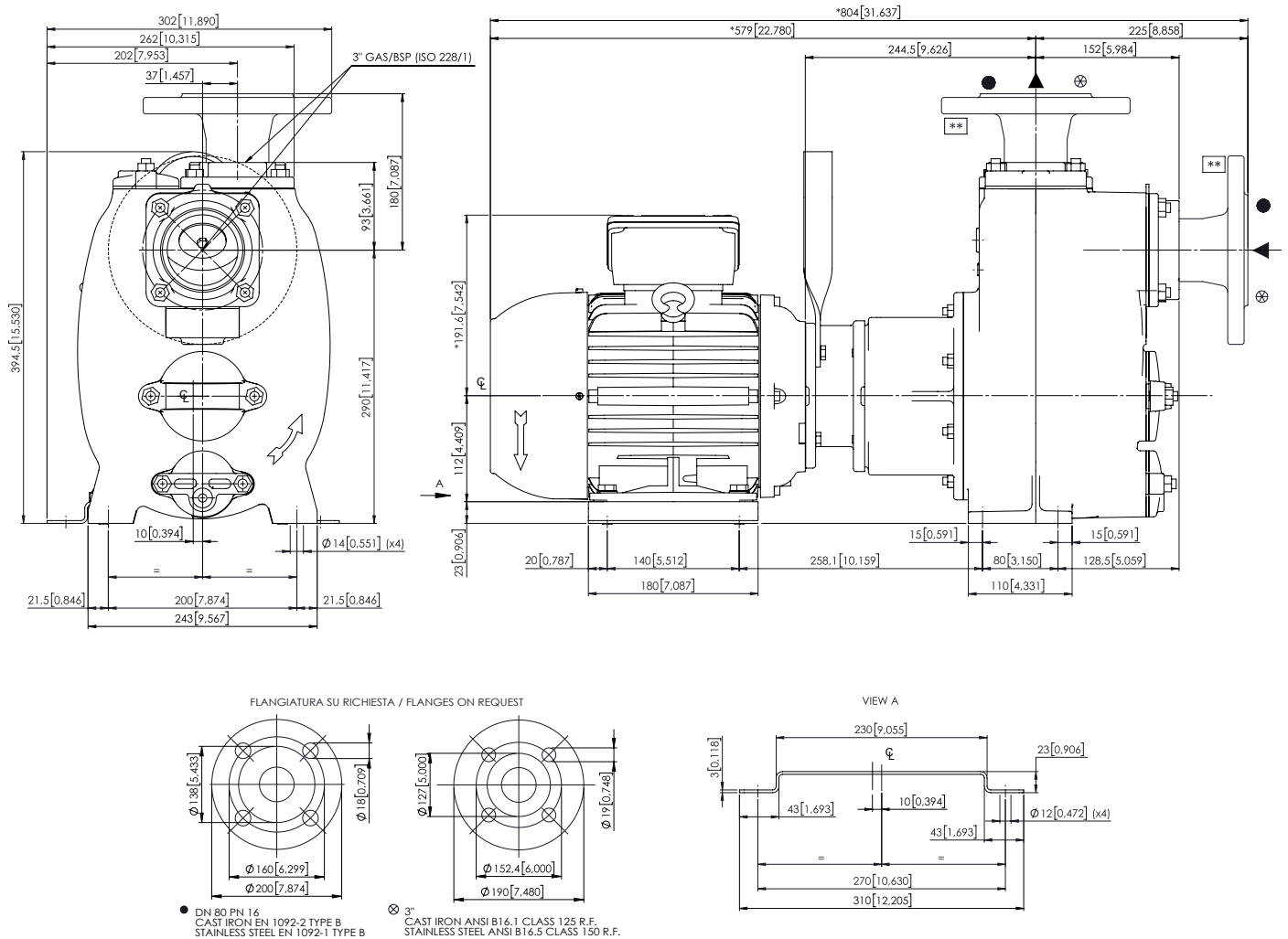
### Weight

Net weight	90 kg
------------	-------

# JE 3-140 K10 NT20

## DIMENSIONS

mm [in]



## PACKAGING DIMENSIONS

### Dimensions

JE 3-140 K10 NT20 (L x W x H mm)

720 x 270 x 480 + BOX

Gross weight (pump + packing)

100 Kg

