

JE 3-210 K10 NT41

Electric - Qmax 95 m³/h - 1583 l/min (418 USgpm) - Hmax 16 m (52 ft)

Code 8381064424



Indicative picture of the product

Product Data

| | |
|-----------------|----------------------------------------------------|
| Suction port | Threaded - 3" ISO 228 (BSP) |
| Delivery port | Threaded - 3" ISO 228 (BSP) |
| Qmax | 95 m³/h - 1583 l/min (418 USgpm) |
| Hmax | 16 m (52 ft) |
| Solids handling | 40 mm (1,5 ") |
| Motor power | 5,5 kW - 7,5 HP |
| Motor type | IEC standard |
| | Winding for inverters |
| | Cast iron frame |
| Motor brand | WEG W22 Premium |
| Weight | 112 kg |

Close-coupled self-priming centrifugal pump with electric motor

Characteristics

The J series self-priming centrifugal pumps are used in applications where a rapid priming capacity is required from demanding suction heights combined with the ability to transfer and manage polluted fluids, dirty and abrasives with suspended large diameter solids. The system is based on an inspectable pump casing which also acts as a water tank allowing a first quick priming without auxiliary systems, simplifying management of the system and reducing the time for maintenance. Within the physically permitted suction height limits, J pumps are a more comfortable and reliable solution than submersible pumps and vertical submersed impeller pumps.

Benefits

- 1) Rapid self-priming**
Without foot valve up to a height of 7.5 m (24.5 ft)
- 2) High resistance**
To abrasive liquids which are turbid and sandy
- 3) Semi-open impeller**
High thickness casting impact resistant
- 4) Wear plate**
Easily replaceable stainless steel wear plate, front to the impeller
- 5) Easy maintenance**
Removable front cover for direct access to the impeller

Applications

Industry:

clean, dirty, sandy, muddy, neutral, alkaline, acidic liquids; low viscous petroleum products, solvents even if dirty; milk of lime, caustic soda; washing, cooling, recirculation, smoke scrubbing.

Treatment:

pumping polluted corrosive wastewater containing sand, mud or solids in suspension; dosing neutralizing liquids; pumping out settled sludge.

Naval:

loading and unloading; bilge pumping; washing, fire-fighting, stripping, sanitary duty and circulation.

Agriculture:

surface irrigation; liquid manure oxygenation; transfer and spraying liquid manure or fertilizers; distribution of liquid animal feed; transfer of wine must; washing.

JE 3-210 K10 NT41

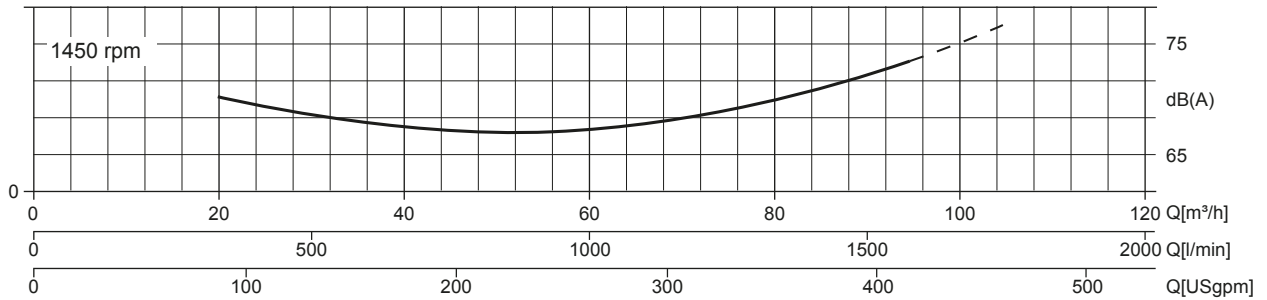
PERFORMANCE CURVES

Test according to **UNI EN ISO 9906 standard - level 2B**
 Test liquid: **clean water, density 1.000 kg/m³**
 Spherical solids handling: **D.40 mm (1,5 ")**

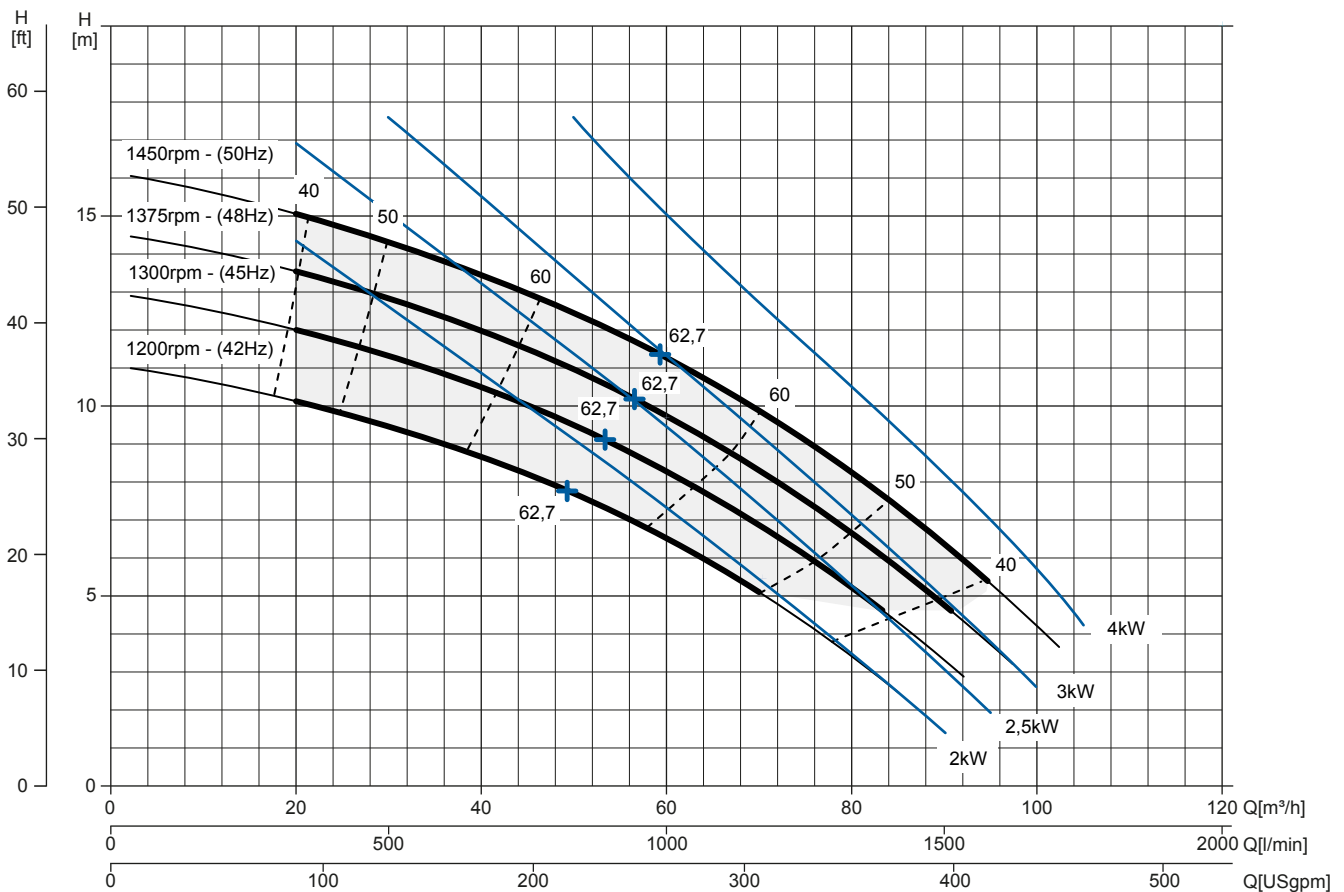
Priming time (2.900 rpm): **26s from 1,5 m (5 ft)**
 Installed power: **5,5 kW - 7,5 HP (1450 rpm)**

Noise Curve

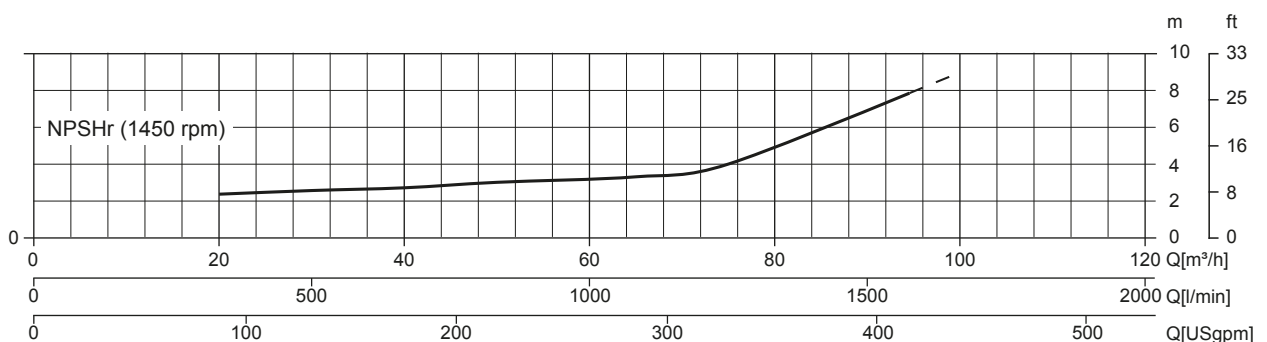
dB(A)=max noise level at 1 m



Multiple Speed Curve



NPSHr Curve



JE 3-210 K10 NT41

TECHNICAL DATA

Pump

| | |
|------------------|-----------------------------------------------|
| Pump model | J 3-210 K10 |
| Qmax [1,450 rpm] | 95 m ³ /h - 1583 l/min (418 USgpm) |
| Hmax [1,450 rpm] | 16 m (52 ft) |
| Suction port | Threaded - 3" ISO 228 (BSP) |
| Delivery port | Threaded - 3" ISO 228 (BSP) |
| Impeller type | Semi-open, 3 vanes |
| Solids handling | 40 mm (1,5 ") |
| Casing | stainless steel ASTM A351 CF3M + zinc anodes |
| Impeller | stainless steel inox ASTM A351 CF3M |
| Wear plate | stainless steel AISI 316L |
| Non-return valve | Check-valve, FKM |
| Shaft | Stainless steel SAF 2205 |
| Mechanical seal | Silicon carbide / Silicon carbide |
| Elastomers | FKM |
| Lubrication | Grease |

Motor

| | | | |
|------------------------------|--------------------------------------------------------------------|--------------------|----------------|
| Mains supply (Three-phase) | 380 VD/660 VY ± 5% | 400 VD/690 VY ±10% | 415 VD ± 5% |
| Frequency (Nominal speed) | 50 Hz ± 3% / 1.450 rpm | | |
| Absorbed current | 10,5/6,06 A | 10,2/5,93 A | 10,6/6,11 A |
| Starting Current Is/In | 7.3 | 8 | 7.9 |
| Efficiency (100%) | 89,2% (IE3) | 89,2% (IE3) | 89,2% (IE3) |
| Model | WEG W22 Premium | | |
| Standards | IEC 60034-1 | | |
| Construction | cast iron, TEFC | | |
| Mounting arrangement | IM 2001 B35 | | |
| No. poles | 2 | | |
| Rated power | 5,5 kW - 7,5 HP | | |
| Degree of protection | IP55 | | |
| Markings | CE, UL, CSA, EAC | | |
| Insulation class/Temperature | F/80°K | | |
| Duty type | Continuous - S1 Variable - suitable for inverter use (30-50 Hz) | | |
| Temperature sensors | PTC, available as option | | |

Arrangement

| | |
|-------------------|--------------------------------------------------|
| Model | Close-coupled N |
| Dimensions | 341 x 830 x 490 mm (13 x 32 x 19") |
| Coating | Polyurethane enamel, average thickness of 100 µm |
| Color | RAL 5010 blue (standard) |
| Features | Close-coupled with rigid coupling "N" |
| Height connection | 0,3 m (12") |

Optionals

| | |
|--------------------------------------------|-------------------|
| Flanged ports DN80 PN16 EN1092-1 Type B | cod. 10042791 |
| Flanged ports 3" ANSI B16.1 Class 125 R.F. | cod. 10042827 |
| Automatic mechanical seal greaser | cod. 10008316 |
| Integrated VSD motor inverter | Available by 2021 |

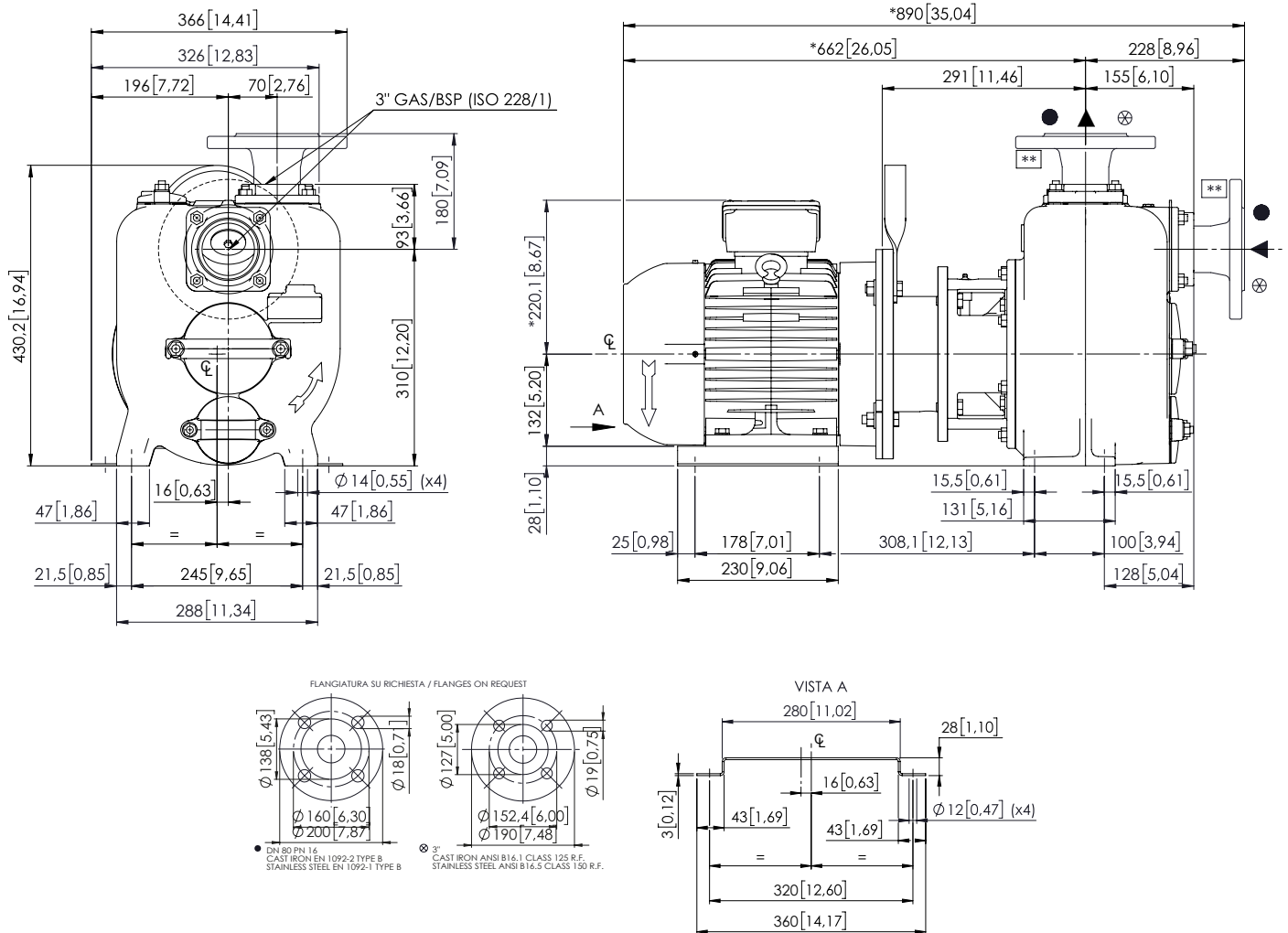
Weight

| | |
|------------|--------|
| Net weight | 112 kg |
|------------|--------|

JE 3-210 K10 NT41

DIMENSIONS

mm [in]



PACKAGING DIMENSIONS

Dimensions

JE 3-210 K10 NT41 (L x W x H mm)

720 x 270 x 480 + BOX

Gross weight (pump + packing)

122 Kg

