

GENUINE GRACO PARTS AND ACCESSORIES

Fluid Section Repair Kits



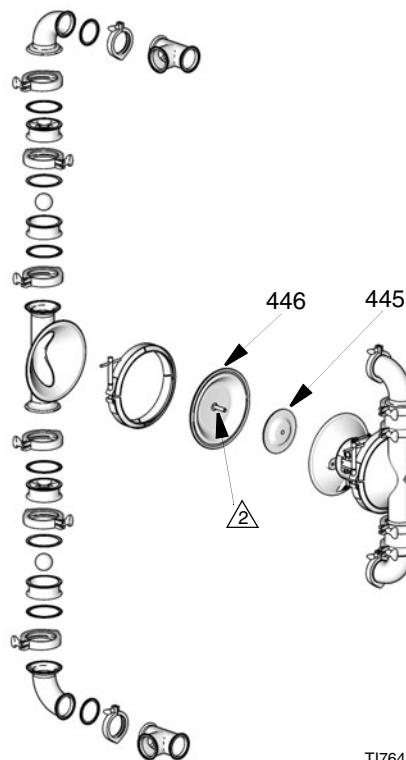
Kits 253222, 253223, 253224, 253225, 255058, 255059, and 255060, for High Sanitation Pumps.



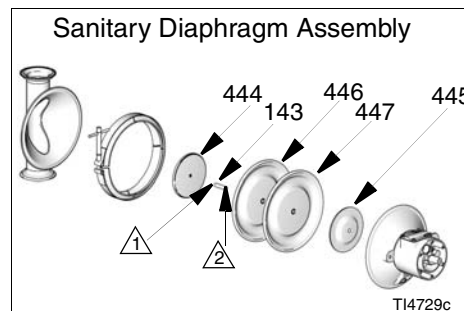
Important Safety Instructions
Read all warnings and instructions in manual 310622. Save those instructions.

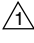

406626D

3A Pump Shown



T17645c



-  Apply a high strength thread locker to diaphragm plate side of screw threads.
-  Apply a medium strength thread locker to shaft side of screw threads.

See page 2 for parts lists.

Graco Inc. P.O. Box 1441 Minneapolis, MN 55440-1441
406626 Rev. D 02/2011
Copyright 2006, Graco Inc. is registered to I.S. EN ISO 9001

Diaphragm Material Parts List

Ref.	Description	Qty
Model 3150 Pumps		
253224 3A Approved, EPDM, Overmolded		
110*	U-CUP	2
446*	DIAPHRAGM ASSY	2
445†	PLATE, diaphragm (air side)	2
253225 Santoprene		
110*	U-CUP	2
446*	DIAPHRAGM	2
143†	BOLT	2
444†	PLATE, diaphragm (fluid side)	2
445†	PLATE, diaphragm (air side)	2
253223 Buna-N		
110*	U-CUP	2
446*	DIAPHRAGM	2
143†	BOLT	2
444†	PLATE, diaphragm (fluid side)	2
445†	PLATE, diaphragm (air side)	2
253222 Fluoroelastomer		
110*	U-CUP	2
446*	DIAPHRAGM	2
143†	BOLT	2
444†	PLATE, diaphragm (fluid side)	2
445†	PLATE, diaphragm (air side)	2
<p>The 2 u-cups (110) included in each of these kits are to replace the seals around shaft (121). See manual 310622.</p> <p>* <i>Items are included in the kits.</i></p> <p>† <i>Items are shown for assembly purposes, but are not included in the kits.</i></p>		

Ref.	Description	Qty
Model 1590 Pumps		
255058 3A Approved, EPDM, Overmolded		
110*	U-CUP	2
446*	DIAPHRAGM ASSEMBLY	2
445†	PLATE, Diaphragm (air side)	2
255059 Santoprene		
110*	U-CUP	2
446*	DIAPHRAGM	2
143†	BOLT	2
444†	PLATE, diaphragm (fluid side)	2
445†	PLATE, diaphragm (air side)	2
255060 PTFE		
110*	U-CUP	2
446*	DIAPHRAGM	2
447*	BACKER	2
143†	BOLT	2
444†	PLATE, diaphragm (fluid side)	2
445†	PLATE, diaphragm (air side)	2
<p>The 2 u-cups (110) included in each of these kits are to replace the seals around shaft (121). See manual 310622.</p> <p>* <i>Items are included in the kits.</i></p> <p>† <i>Items are shown for assembly purposes, but are not included in the kits.</i></p>		