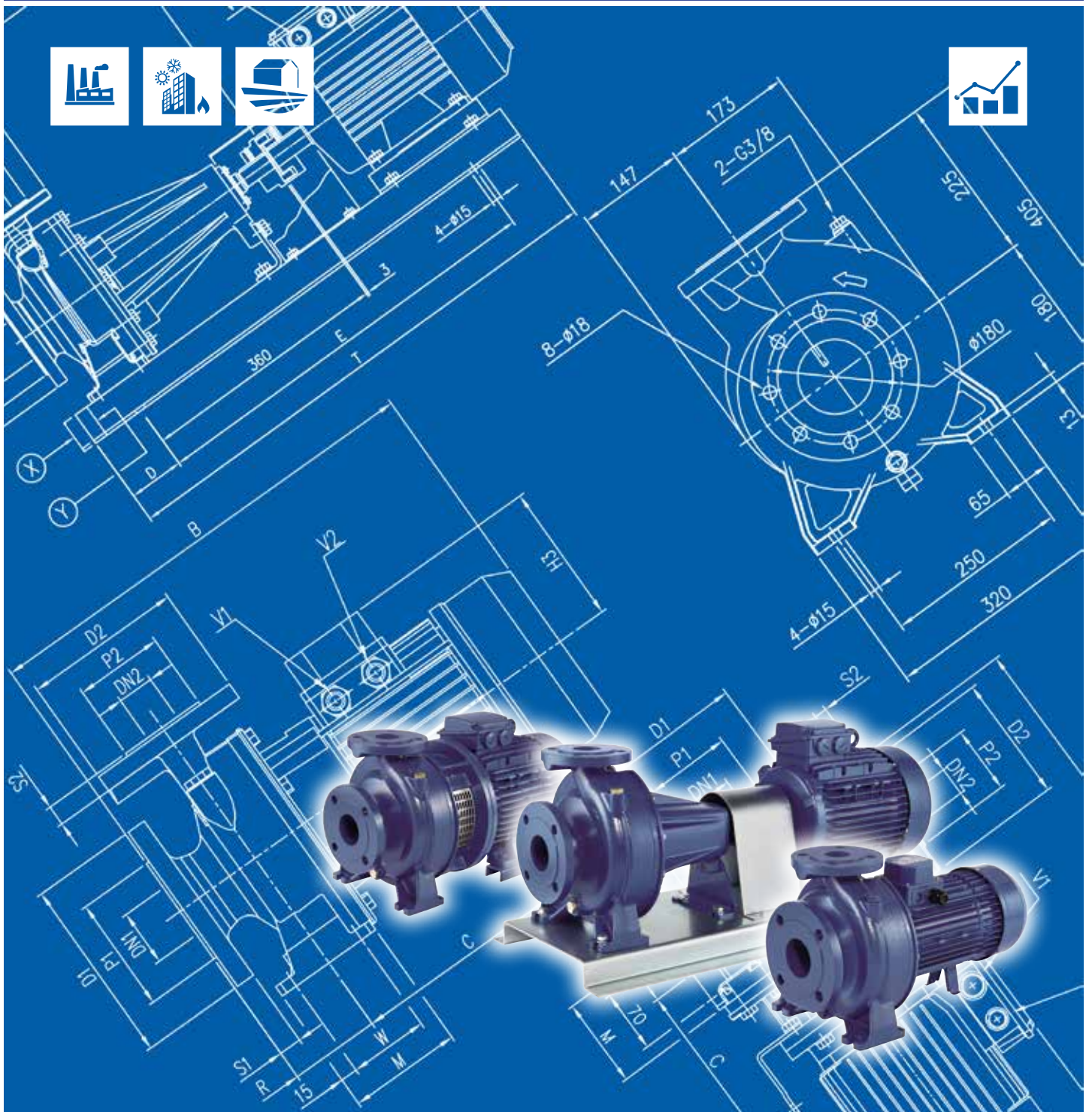




Japanese Technology since 1912

3D SERIES 4P

Data Book 50Hz



	Page
- SPECIFICATIONS	200
SELECTION CHART	201
TYPE KEY AND CURVE SPECIFICATIONS	203
PERFORMANCE CURVE 32-125	207
PERFORMANCE CURVE 32-160	208
PERFORMANCE CURVE 32-200	209
PERFORMANCE CURVE 40-125	210
PERFORMANCE CURVE 40-160	211
PERFORMANCE CURVE 40-200	212
PERFORMANCE CURVE 50-125	213
PERFORMANCE CURVE 50-160	214
PERFORMANCE CURVE 50-200	215
PERFORMANCE CURVE 65-125	216
PERFORMANCE CURVE 65-160	217
PERFORMANCE CURVE 65-200	218
- CONSTRUCTIONS	300
SECTIONAL VIEW DRAWING 3D4	300
SECTIONAL VIEW TABLE 3D4	301
SECTIONAL VIEW DRAWING 3DS4	302
SECTIONAL VIEW TABLE 3DS4	303
SECTIONAL VIEW DRAWING 3DP4	304
SECTIONAL VIEW TABLE 3DP4	305
MECHANICAL SEALS	306
FLUID TEMPERATURE RANGE	307
BEARINGS 3D4-3DS4	308
BEARINGS 3DP4	309
COUPLING 3DS4	310
FLEXIBLE COUPLING 3DP4	311
FITTINGS	312
- DIMENSIONS AND WEIGHT	400
PUMP DIMENSIONS 3D4	400
PUMP DIMENSIONS 3DS4 32, 40, 50, 65	401
PUMP DIMENSIONS 3DS4 50, 65	402
PUMP DIMENSIONS 3DP4	403
PUMP DIMENSIONS 3DP4	404
PACKING DIMENSIONS 3D4	405
PACKING DIMENSIONS 3DS4	406
PACKING DIMENSIONS 3DP4	407

- TECHNICAL DATA	500
MOTOR DATA 3D4	500
MOTOR DATA 3DS4-3PS4	501
NOISE DATA 3D4	502
NOISE DATA 3DS4-3PS4	503

SPECIFICATION

50Hz

Rev. M

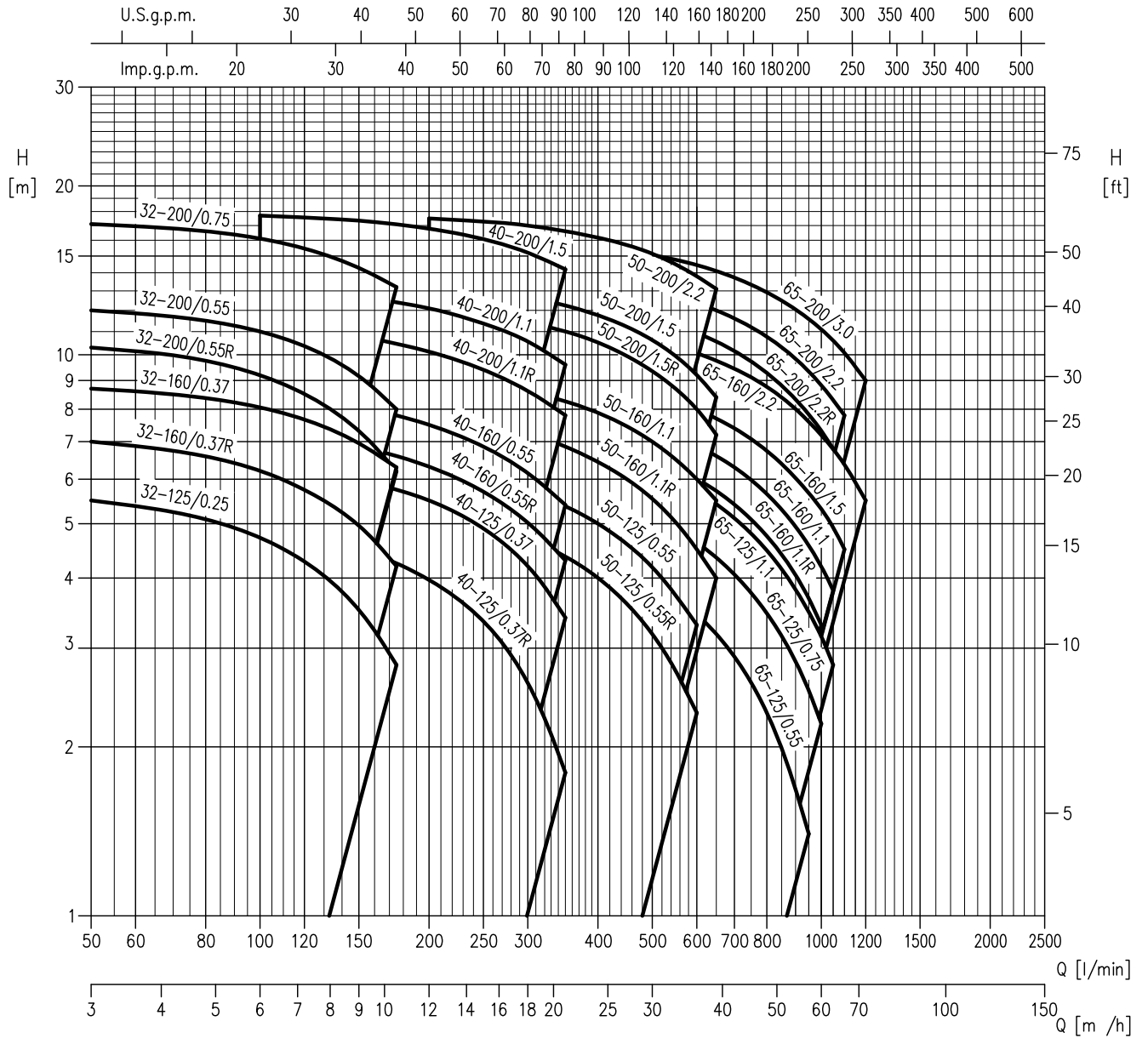
PUMP		
Liquid Handled	Type of liquid	Clean water
	Working temperature [°C]	min. -5 max. +120 For full details see section "FLUID TEMPERATURE RANGE" on pag. 307
Maximum working pressure	[MPa]	1
Construction	Impeller	Closed centrifugal type for 32, 40, 50 version Reinforced laser welding for 40-200/1.5, 50-200/2.2 Closed centrifugal three dimensional blades for 65
	Shaft seal type	Mechanical seal
	Bearing	Bearing with contact seal
Pipe Connection	Suction	Flange DN 50, 65 according to EN 1092-2 Flange DN 80 according to UNI 2236-67 (4 holes)
	Discharge	Flange DN 32, 40, 50, 65 according to EN 1092-2
Material	Casing	Cast iron EN-GJL-250-EN 1561
	Impeller	EN 1.4301 (AISI 304) - 32, 40, 50 series EN 1.4401 (AISI 316) made by precision casting - 65 series
	Shaft seal	Ceramic/Carbon/NBR (see Optionals on pag. 306-307)
	Shaft / Coupling	EN 1.4301 (AISI 304) (wet extension)
	Bracket	Aluminium/Cast iron
Accessory	Counterflange	DN 32, 40, 50, 65, 80 (see pag. 311)
Applicable standard of test		ISO 9906:2012 – Grade 3B

MOTOR			
Type	3D4	3DS4	3DP4
		Electric - TEFC	
	Three Phase		
Efficiency (Reg. 1781/2019)	IE2 from 0.25 kW up to 0.55 Kw IE3 from 0.75 kW up to 3.0 kW		
No. of Poles	4		
Rotation speed [min ⁻¹]	≈1400		
Insulation Class	F (class B for temperature rise)		
Protection degree	IP 55		
Power rating	[kW]	0.25 ÷ 3	
	[HP]	0.33 ÷ 4	
Frequency [Hz]	50		
Voltage [V]	230/400 ±10%	230/400 ±10%	
Over load protection	Provided by the user		
Casing material	Aluminium		
Motor support	Cast Iron - Aluminium		
Dimensions of cable entry	PG11, PG13.5, PG16	M10x15, M20x1.5, M25x1.5	
Flange mount (IEC motor)	/	IM B5 (up to 1.5 kW)	IM B3
		IM B35 (2.2 kW and above)	

SELECTION CHART

50Hz

Rev. M



SELECTION CHART

50Hz

Rev. M

3D4 SERIES 32 SIZE

Pump type	kW	HP	l/min	50	100	150	175
			0	3	6	9	10.5
			m ³ /h				
32-125/0.25	0.25	0.33	5.7	5.5	4.7	3.5	2.8
32-160/0.37R	0.37	0.5	7.3	7	6.2	5	4.2
32-160/0.37	0.37	0.5	9	8.7	8.1	7	6.3
32-200/0.55R	0.55	0.75	10.8	10.3	9.2	7.3	6.2
32-200/0.55	0.55	0.75	12.5	12	11	9.2	8
32-200/0.75	0.75	1	17.5	17.1	16.1	14.3	13.2

3D4 SERIES 40 SIZE

Pump type	kW	HP	l/min	100	150	175	200	250	300	350
			0	6	9	10.5	12	15	18	21
			m ³ /h							
40-125/0.37R	0.37	0.5	5.1	4.8	4.5	4.3	4	3.4	2.6	1.8
40-125/0.37	0.37	0.5	6.5	6.3	6	5.8	5.5	4.9	4.2	3.4
40-160/0.55R	0.55	0.75	7.7	7.3	6.9	6.6	6.3	5.7	5	4.3
40-160/0.55	0.55	0.75	9.1	8.6	8.1	7.8	7.5	6.9	6.2	5.4
40-200/1.1R	1.1	1.5	11.6	11.2	10.8	10.5	10.1	9.4	8.6	7.8
40-200/1.1	1.1	1.5	13.6	13.2	12.7	12.4	12.1	11.4	10.6	9.6
40-200/1.5	1.5	2	18	17.7	17.3	17.1	16.8	16.1	15.2	14.2

3D4 SERIES 50 SIZE

Pump type	kW	HP	l/min	200	250	300	350	400	500	600	650
			0	12	15	18	21	24	30	36	39
			m ³ /h								
50-125/0.55R	0.55	0.75	5.4	5.2	5	4.7	4.4	4	3.2	2.3	-
50-125/0.55	0.55	0.75	6.4	6.2	6	5.7	5.4	5	4.2	3.3	-
50-160/1.1R	1.1	1.5	8.2	7.8	7.6	7.2	6.9	6.4	5.5	4.5	4
50-160/1.1	1.1	1.5	9.5	9.1	8.9	8.6	8.3	7.9	7	6	5.5
50-200/1.5R	1.5	2	12.7	12.1	11.8	11.4	11	10.5	9.3	8	7.2
50-200/1.5	1.5	2	14	13.3	13	12.7	12.2	11.8	10.6	9.2	8.4
50-200/2.2	2.2	3	17.8	17.5	17.3	17	16.6	16.2	15.1	13.8	13.1

3D4 SERIES 65 SIZE

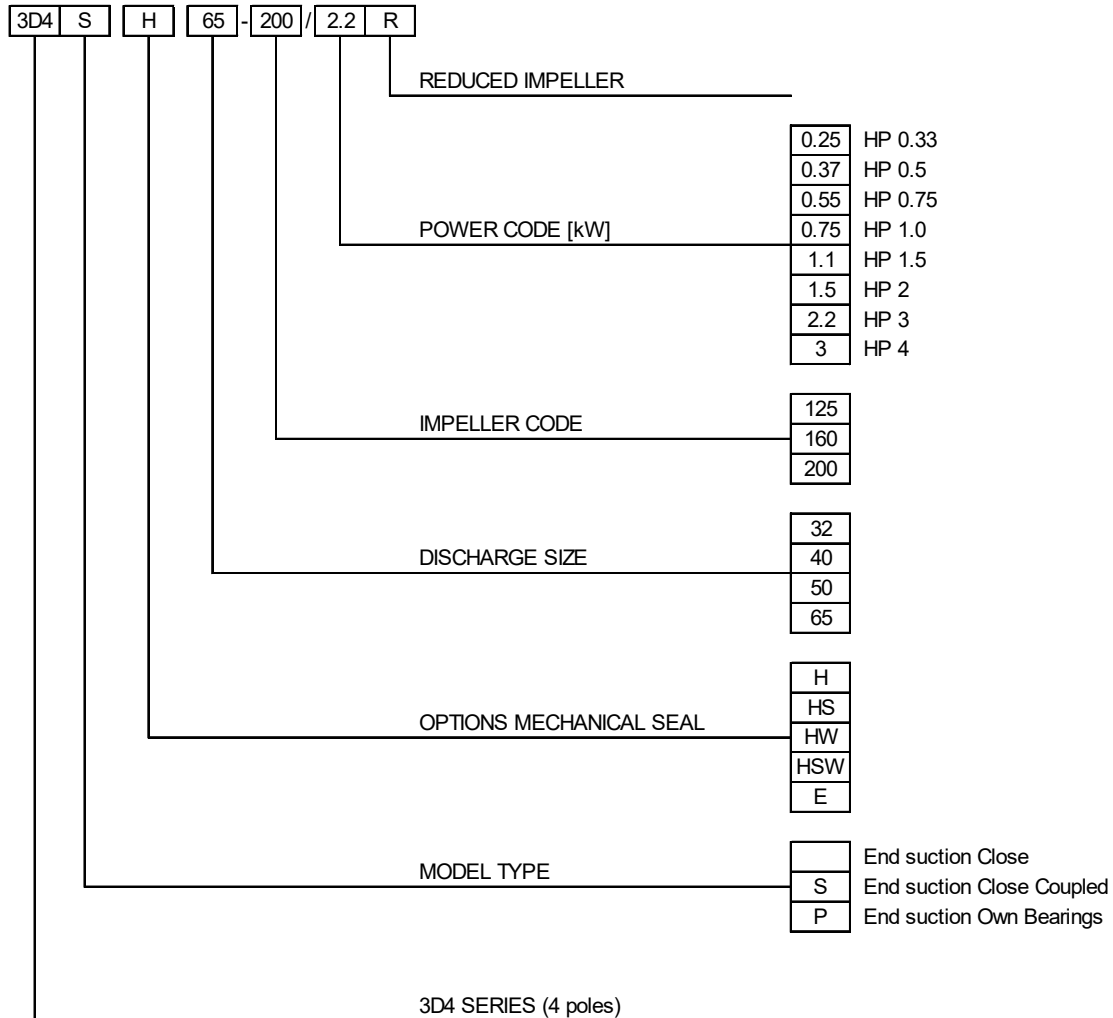
Pump type	kW	HP	l/min	300	350	500	600	800	950	1000	1050	1100	1200
			0	18	21	30	36	48	57	60	63	66	72
			m ³ /h										
65-125/0.55	0.55	0.75	5.3	4.8	4.6	4	3.5	2.3	1.4	-	-	-	-
65-125/0.75	0.75	1	6.4	6	5.8	5.2	4.6	3.5	2.5	2.2	-	-	-
65-125/1.1	1.1	1.5	7.7	7.2	7	6.3	5.7	4.5	3.5	3.2	2.8	-	-
65-160/1.1	1.1	1.5	8.6	-	8.1	7.4	6.9	5.7	4.6	4.2	3.8	-	-
65-160/1.5	1.5	2	9.7	-	9.2	8.5	8	6.7	5.7	5.3	4.9	4.5	-
65-160/2.2	2.2	3	11.8	-	11.3	10.6	10.1	8.8	7.6	7.2	6.8	6.4	5.5
65-200/2.2R	2.2	3	13	-	12.4	11.6	10.9	9.3	7.8	7.3	6.8	-	-
65-200/2.2	2.2	3	14.5	-	13.9	13	12.4	10.8	9.3	8.8	8.3	7.8	-
65-200/3	3	4	16.3	-	15.8	15.1	14.4	12.9	11.6	11.1	10.6	10.1	9

TYPE KEY AND CURVE SPECIFICATIONS

50Hz

Rev. M

TYPE KEY



PERFORMANCE CURVE SPECIFICATIONS

The specifications below qualify the curves shown on the following pages.

Tolerances according to ISO 9906:2012 - Grade 3B

The curves refer to effective speed of asynchronous motors at 50 Hz, 4 poles.

Measurements were carried out with clean water at 20°C of temperature and with a kinematic viscosity of $\nu = 1 \text{ mm}^2/\text{s}$ (1 cSt)

The NPSH curve is an average curve obtained in the same conditions of performance curves.

The continuous curves indicate the recommended working range. The dotted curve is only a guide.

In order to avoid the risk of over-heating, the pumps should not be used at a flow rate below 10% of best efficiency point.

Symbols explanation:

Q = volume flow rate

H = total head

P_2 = pump power input (shaft power)

η = pump efficiency

NPSH = net positive suction head required by the pump

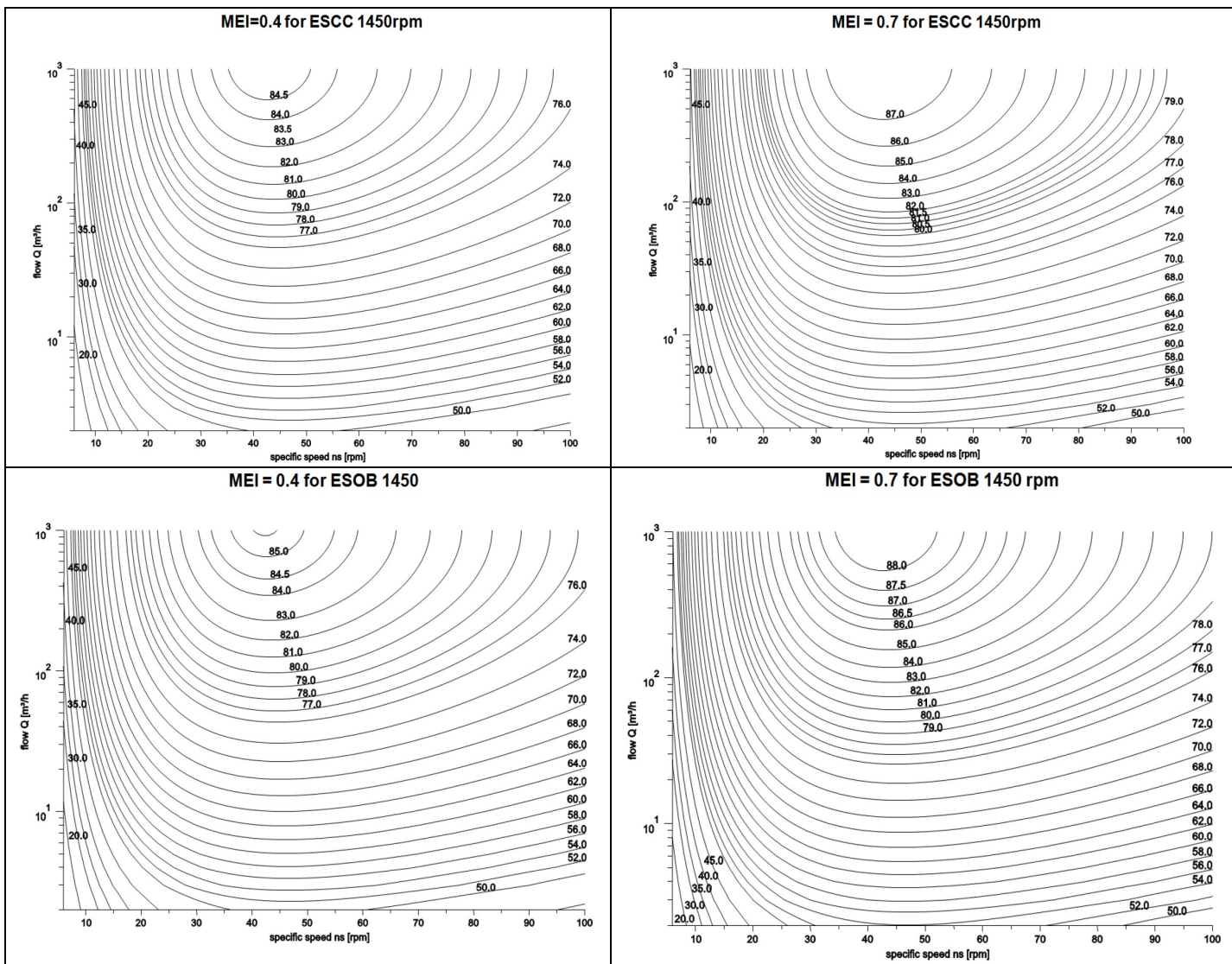
MEI = minimum efficiency index

MEI INDEX SPECIFICATION

The minimum efficiency index (MEI) is a measure of the quality of a pump size in respect to its mean efficiency. The minimum efficiency index is based on the hydraulic efficiency and on the head at the best efficiency point.

The efficiency of a pump with trimmed impeller is usually lower than that of a pump with the full impeller diameter. The trimming of the impeller will adapt the pump to a fixed duty point, leading to a reduced energy consumption. The minimum efficiency index (MEI) is based on the full impeller diameter.

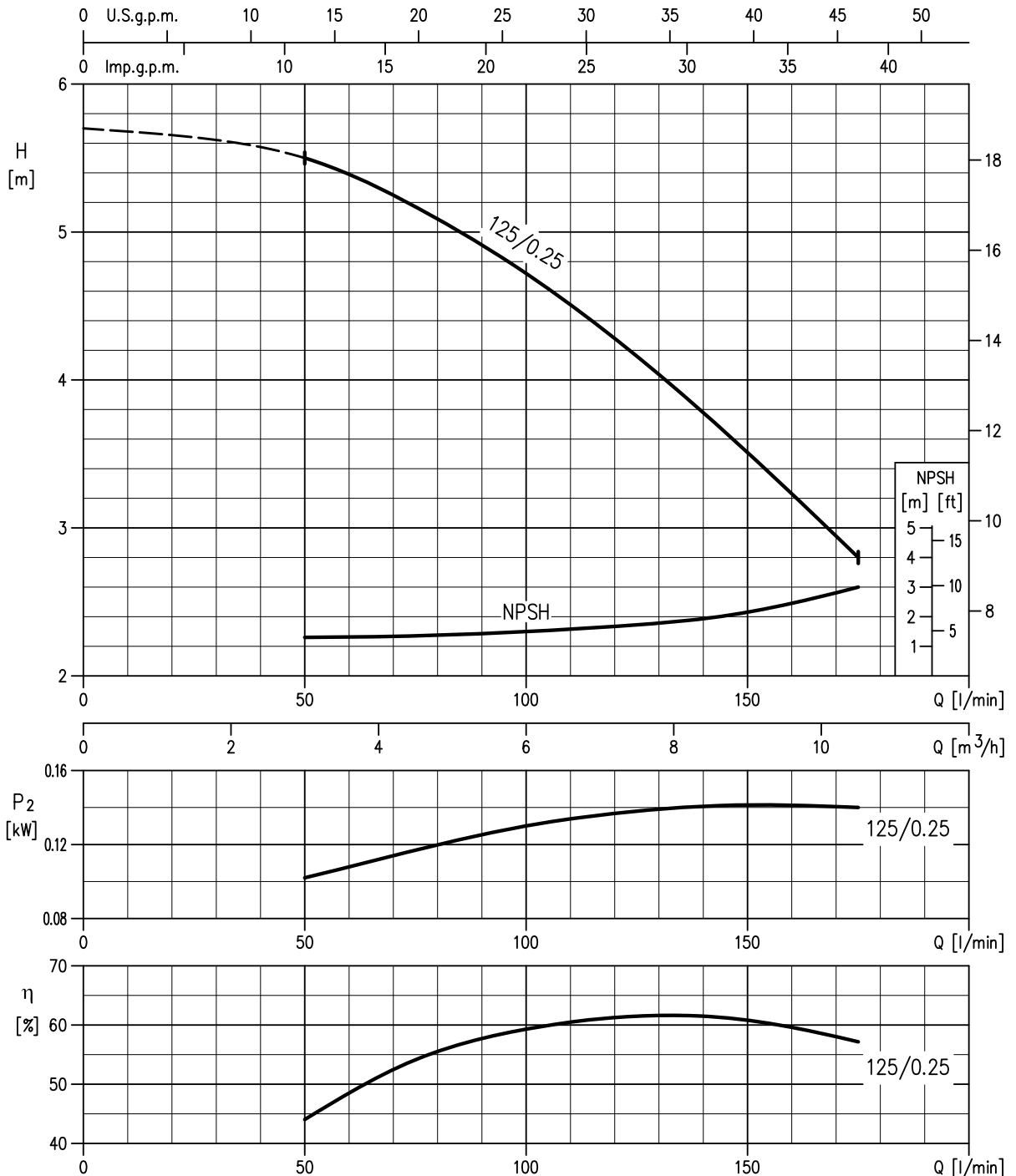
The operation of these water pumps with variable duty points may be more efficient and economical when controlled, for example, by the use of a variable speed drive that matches the pump duty to the system.



MEI INDEX VALUE

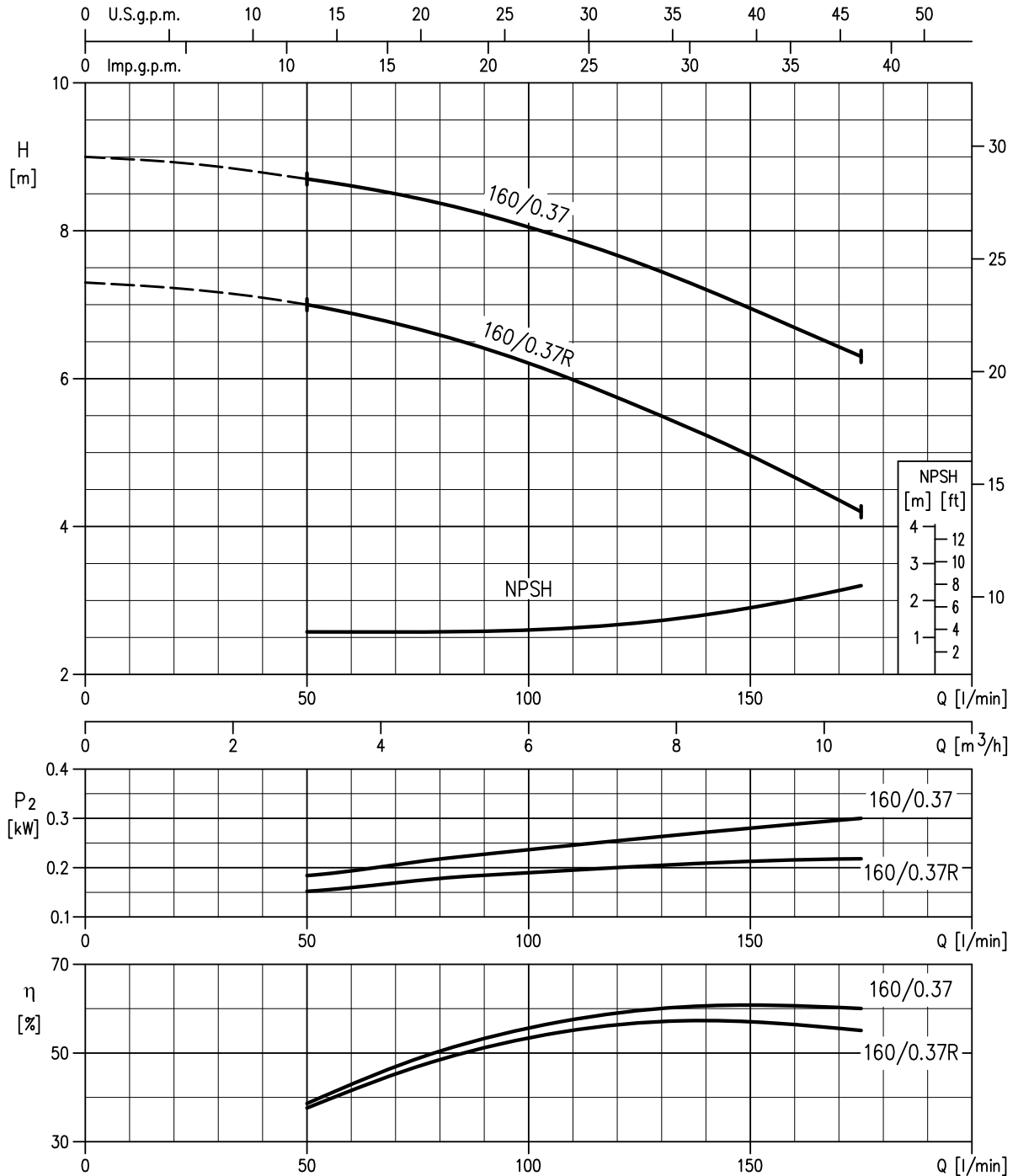
SIZE	MEI VALUE		
	3D4	3DS4	3DP4
32-125	≥ 0.7	≥ 0.7	≥ 0.7
32-160	≥ 0.6	≥ 0.6	≥ 0.5
32-200	≥ 0.7	≥ 0.7	≥ 0.7
40-125	≥ 0.6	≥ 0.6	≥ 0.5
40-160	≥ 0.7	≥ 0.7	≥ 0.7
40-200	≥ 0.7	≥ 0.7	≥ 0.7
50-125	≥ 0.7	≥ 0.7	≥ 0.6
50-160	≥ 0.6	≥ 0.6	≥ 0.5
50-200	≥ 0.7	≥ 0.7	≥ 0.7
65-125	≥ 0.5	≥ 0.5	≥ 0.5
65-160	≥ 0.5	≥ 0.5	≥ 0.4
65-200	≥ 0.7	≥ 0.7	≥ 0.6

32-125/0.25 (0.25 kW) – impeller diameter = 133 mm



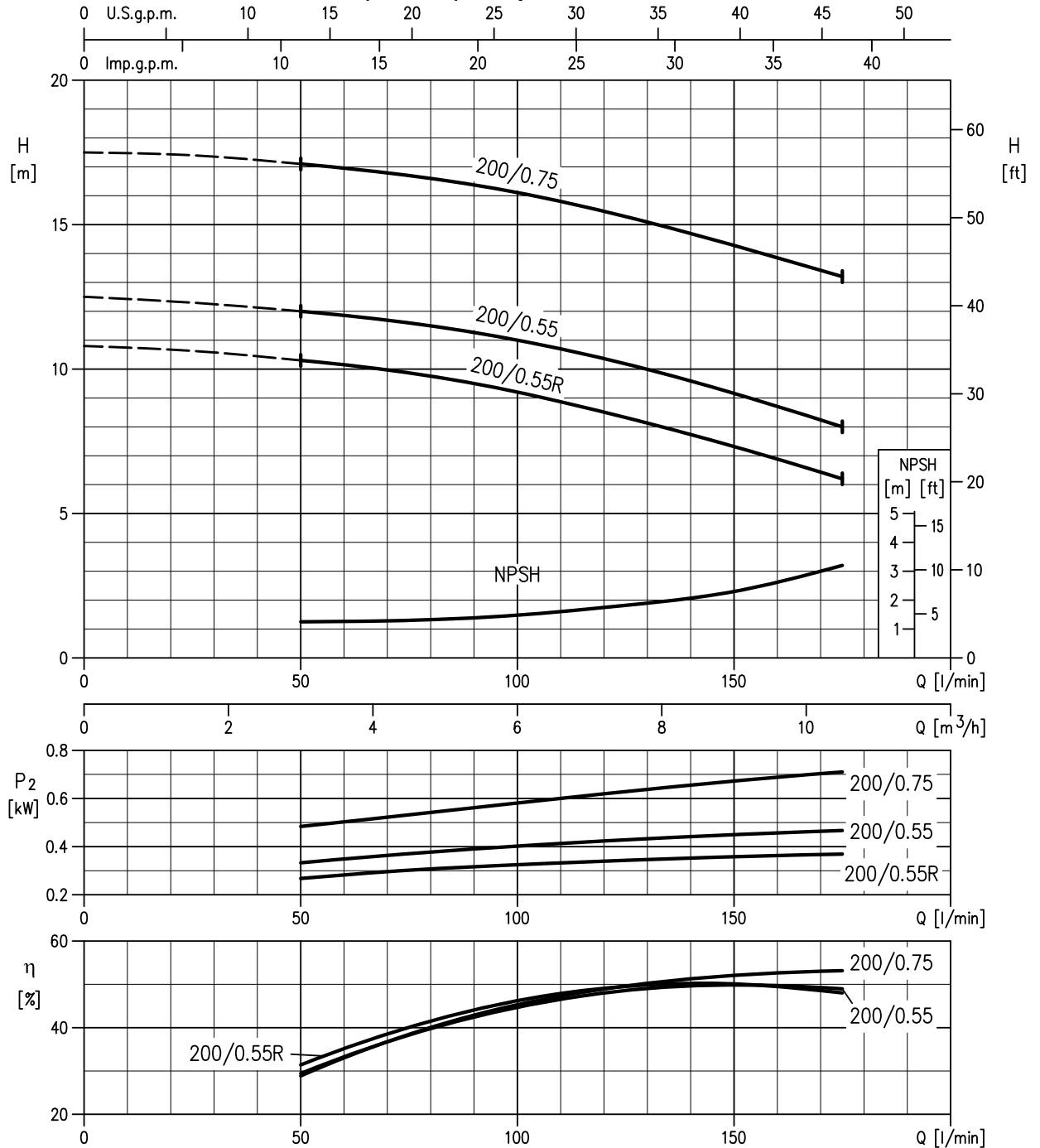
Rotation speed ≈ 1400 min⁻¹
 Test standard: ISO 9906:2012 - Grade 3B

32-160/0.37R (0.37kW) – impeller diameter = 151 mm
32-160/0.37 (0.37kW) – impeller diameter = 166 mm



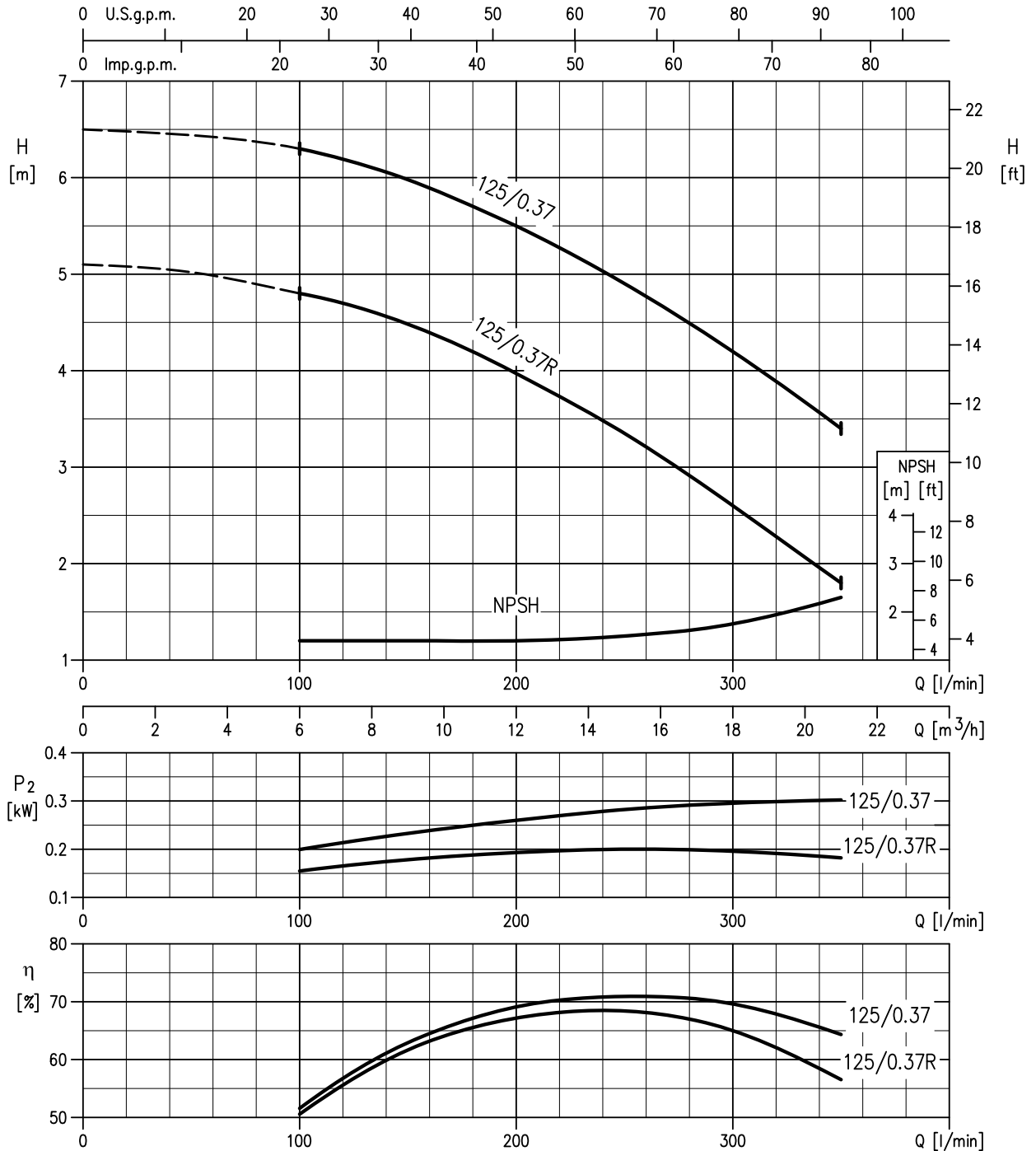
Rotation speed $\approx 1400 \text{ min}^{-1}$
 Test standard: ISO 9906:2012 - Grade 3B

32-200/0.55R (0.55 kW) – impeller diameter = 186 mm
32-200/0.5 (0.55kW) – impeller diameter = 200 mm
32-200/0.75 (0.55kW) – impeller diameter = 224 mm



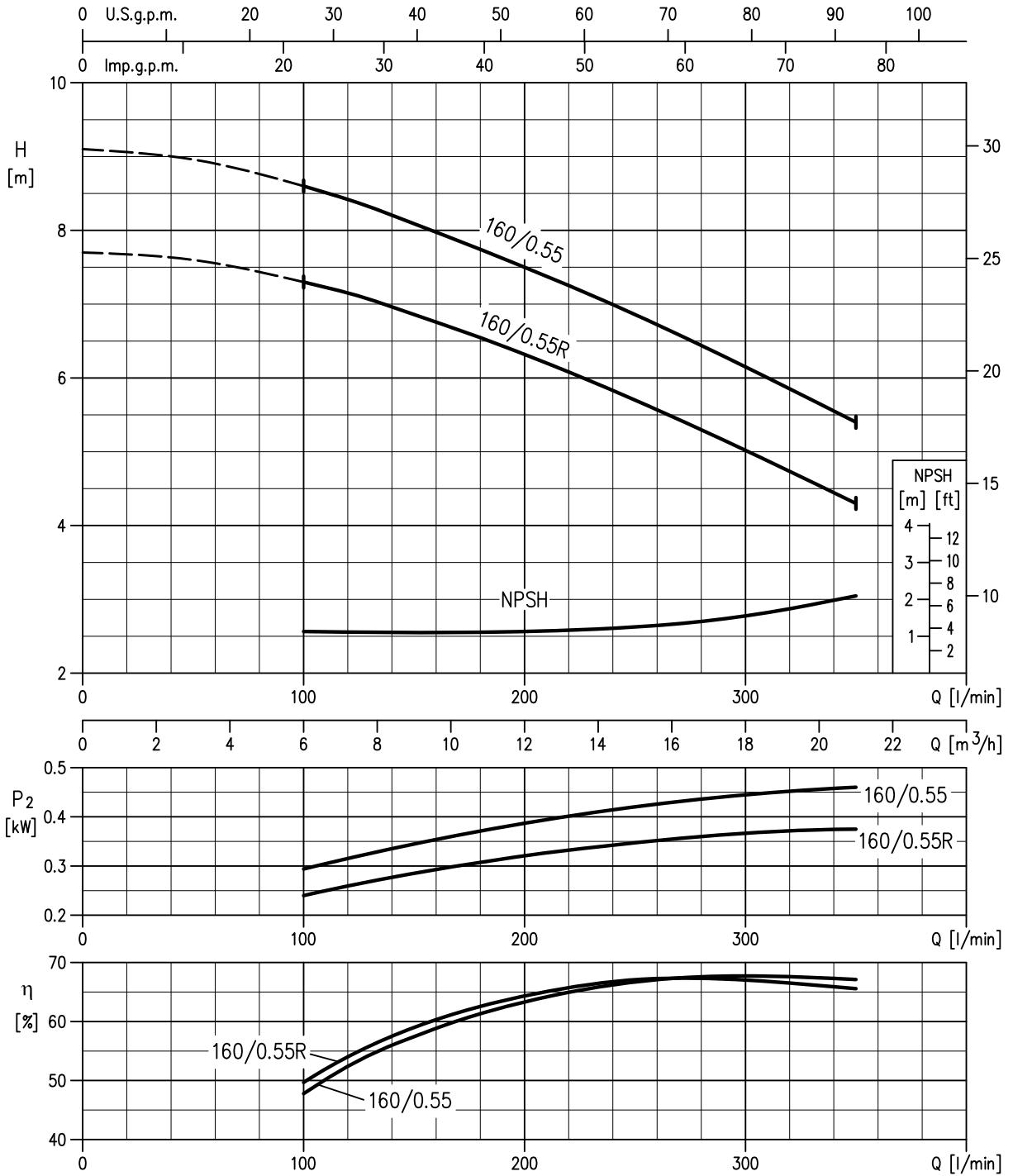
Rotation speed $\approx 1400 \text{ min}^{-1}$
 Test standard: ISO 9906:2012 - Grade 3B

40-125/0.37R (0.37 kW) – impeller diameter = 125 mm
 40-125/0.37 (0.37 kW) – impeller diameter = 140 mm



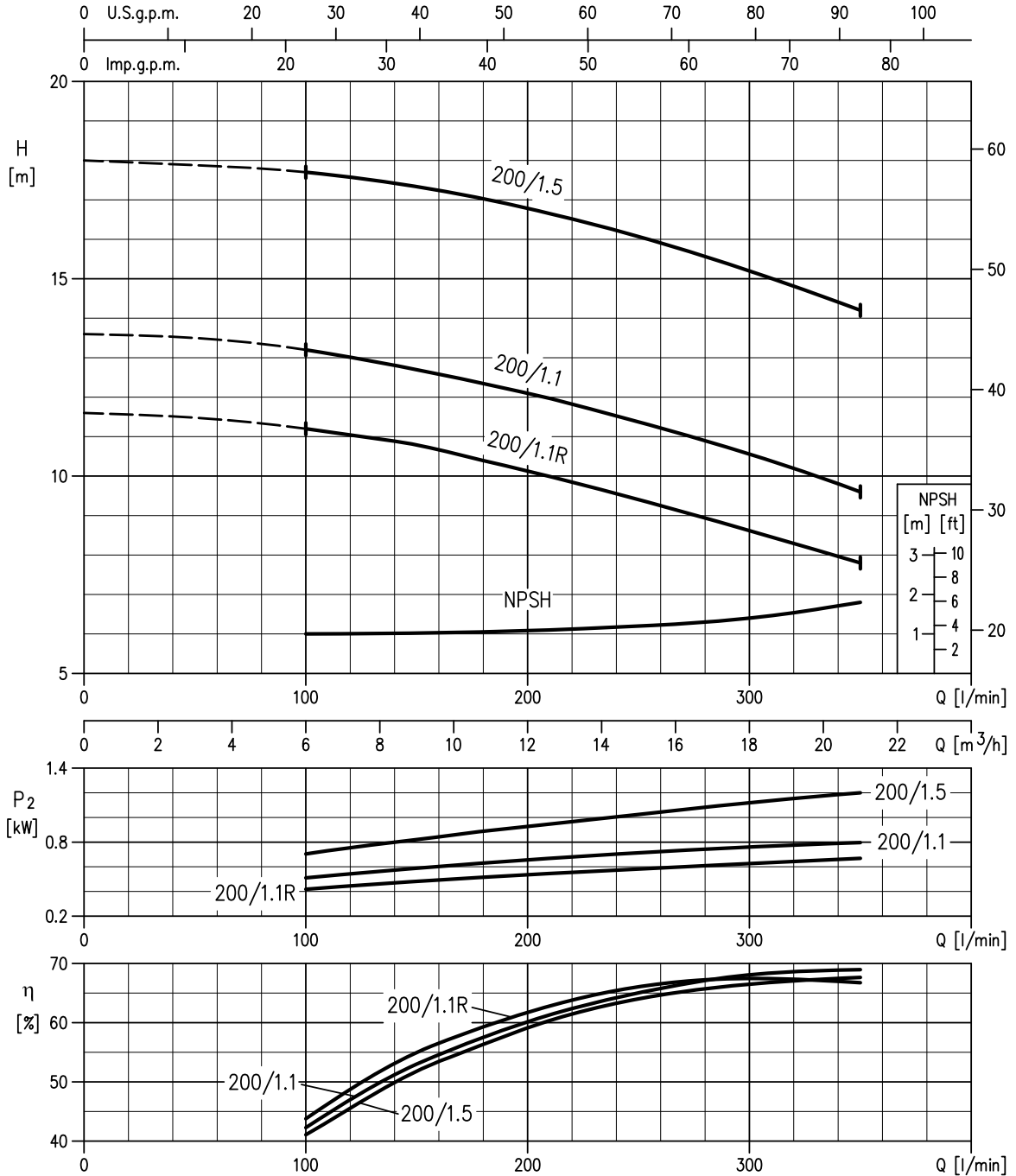
Rotation speed $\approx 1400 \text{ min}^{-1}$
 Test standard: ISO 9906:2012 - Grade 3B

40-160/0.55R (0.55 kW) – impeller diameter = 151 mm
40-160/0.55 (0.55 kW) – impeller diameter = 166 mm



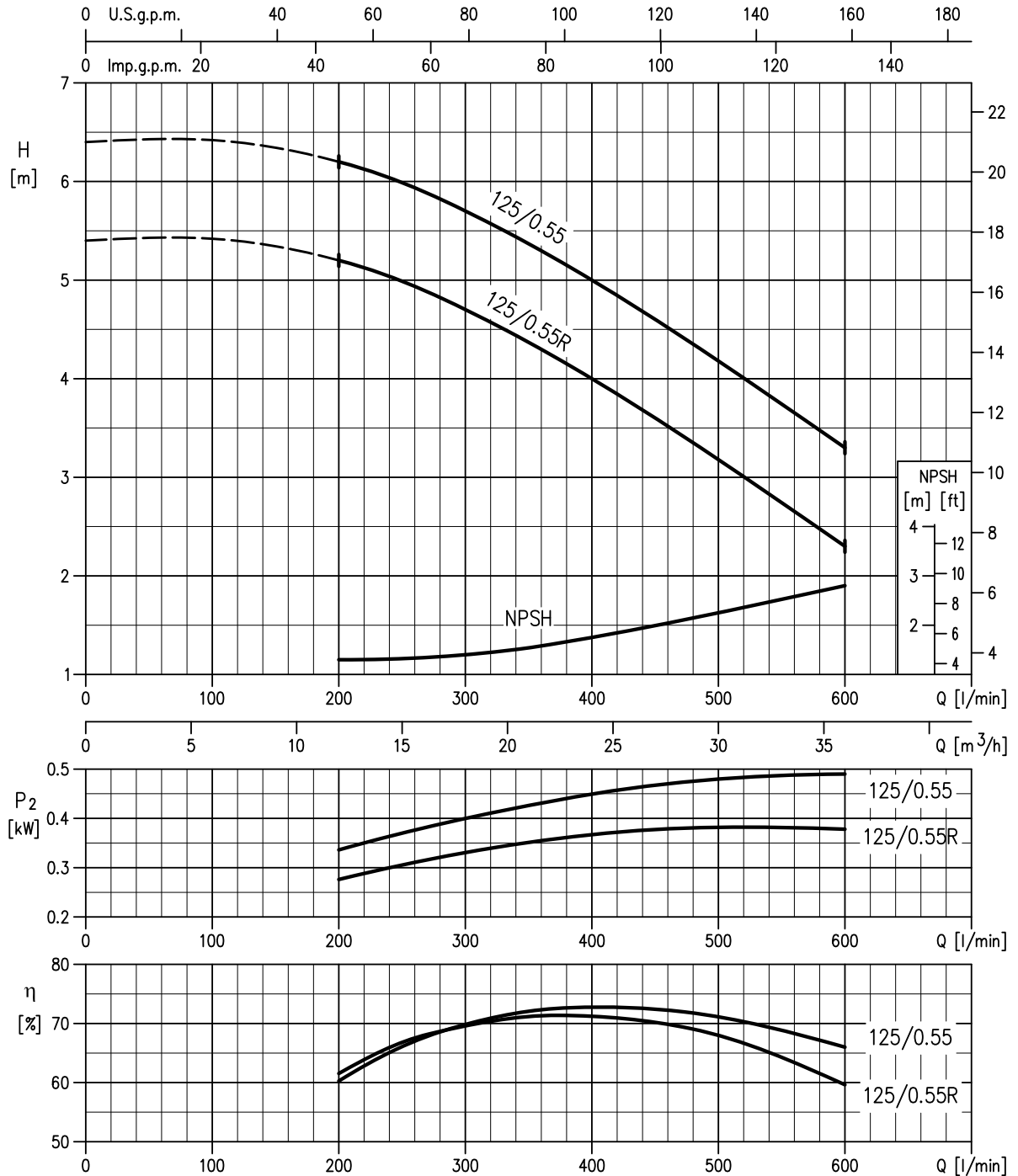
Rotation speed ≈ 1400 min⁻¹
 Test standard: ISO 9906:2012 - Grade 3B

40-200/1.1R (1.1 kW) – impeller diameter = 183 mm
 40-200/1.1 (1.1 kW) – impeller diameter = 200 mm
 40-200/1.5 (1.5 kW) – impeller diameter = 224 mm



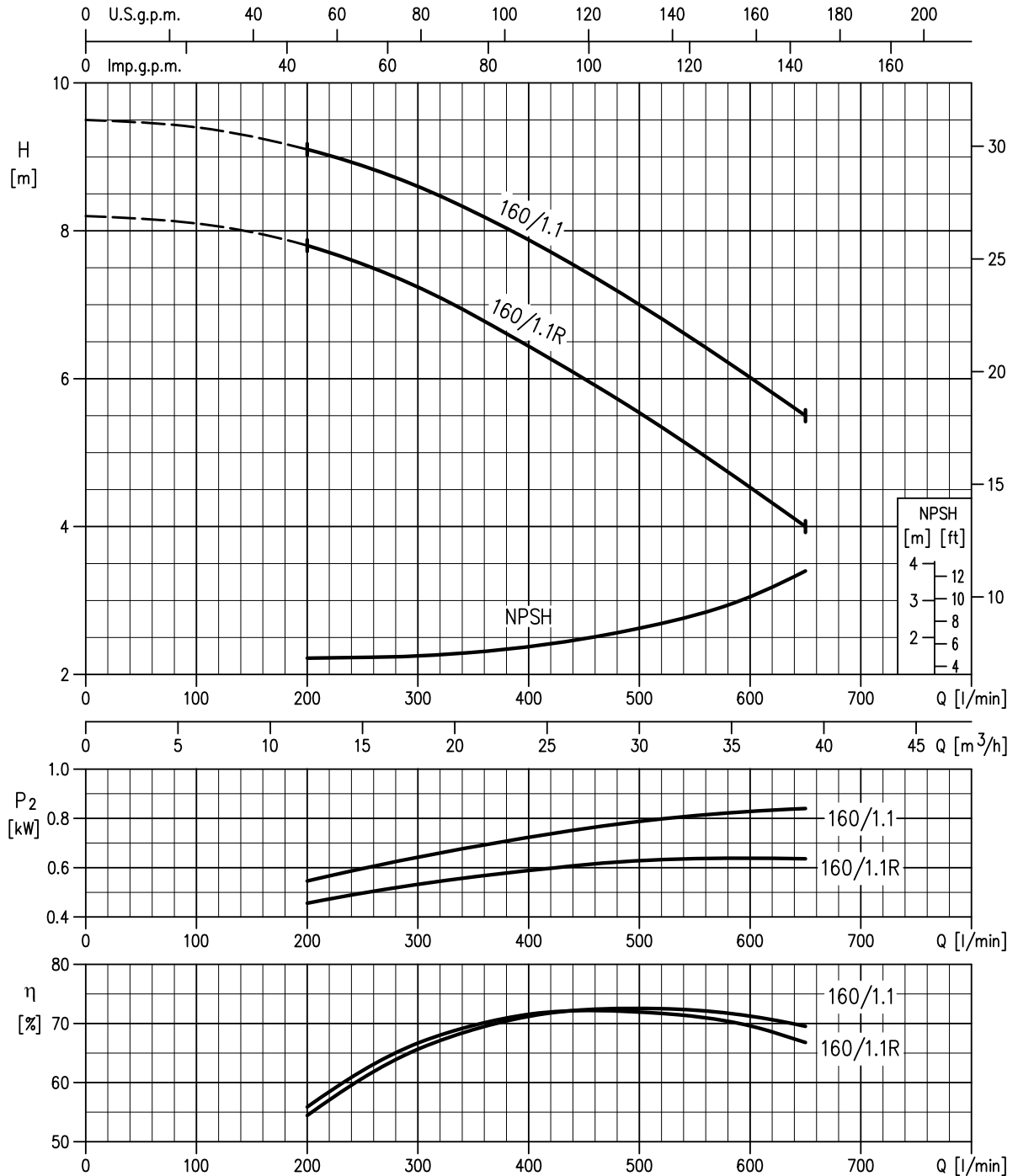
Rotation speed $\approx 1400 \text{ min}^{-1}$
 Test standard: ISO 9906:2012 - Grade 3B

50-125/0.55R (0.55 kW) – impeller diameter = 131 mm
 50-125/0.55 (0.55 kW) – impeller diameter = 140 mm



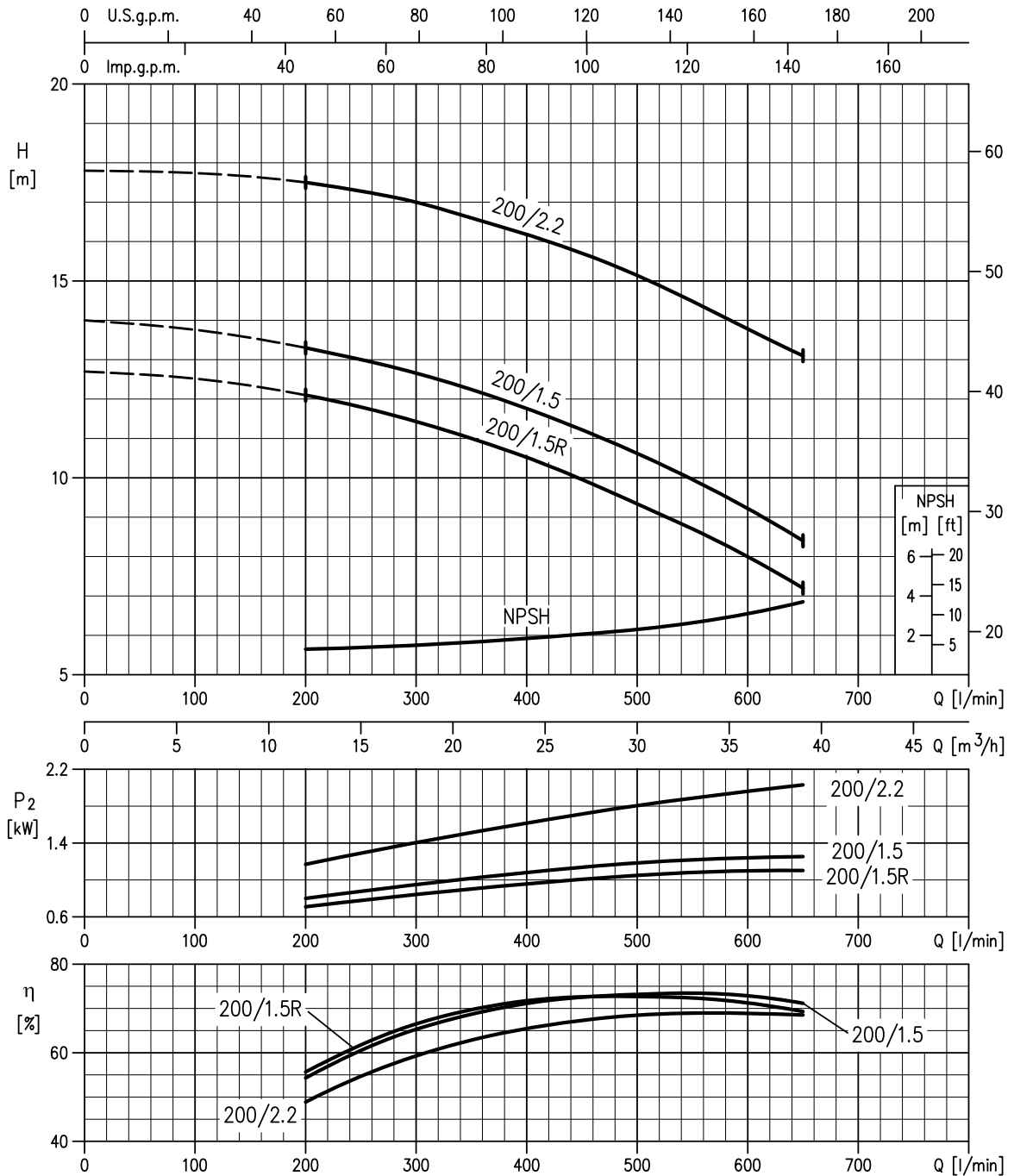
Rotation speed $\approx 1400 \text{ min}^{-1}$
 Test standard: ISO 9906:2012 - Grade 3B

50-160/1.1R (1.1 kW) – impeller diameter = 154 mm
 50-160/1.1 (1.1 kW) – impeller diameter = 166 mm



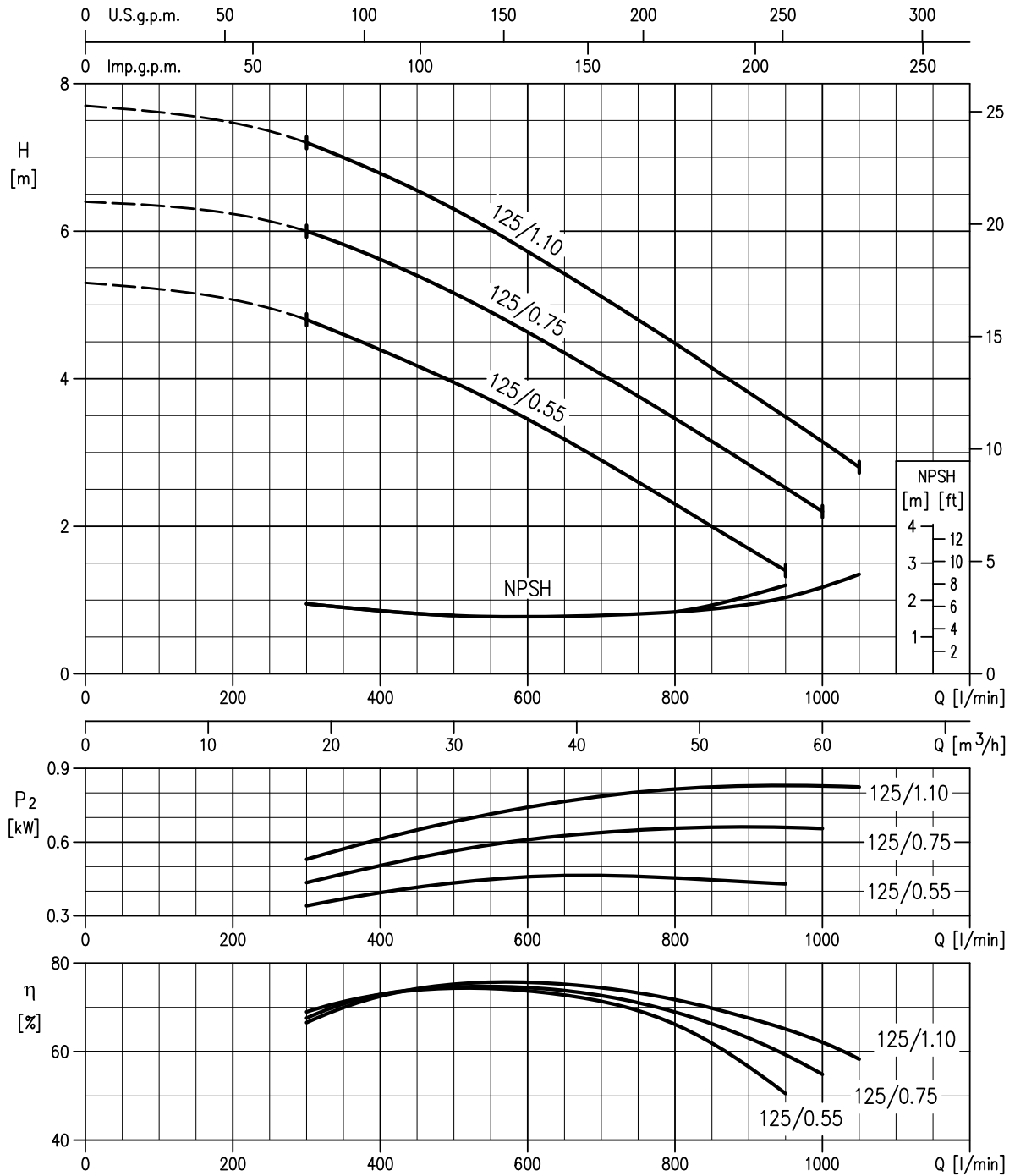
Rotation speed ≈ 1400 min⁻¹
 Test standard: ISO 9906:2012 - Grade 3B

50-200/1.5R (1.5 kW) – impeller diameter = 191 mm
 50-200/1.5 (1.5 kW) – impeller diameter = 200 mm
 50-200/2.2 (2.2 kW) – impeller diameter = 224 mm



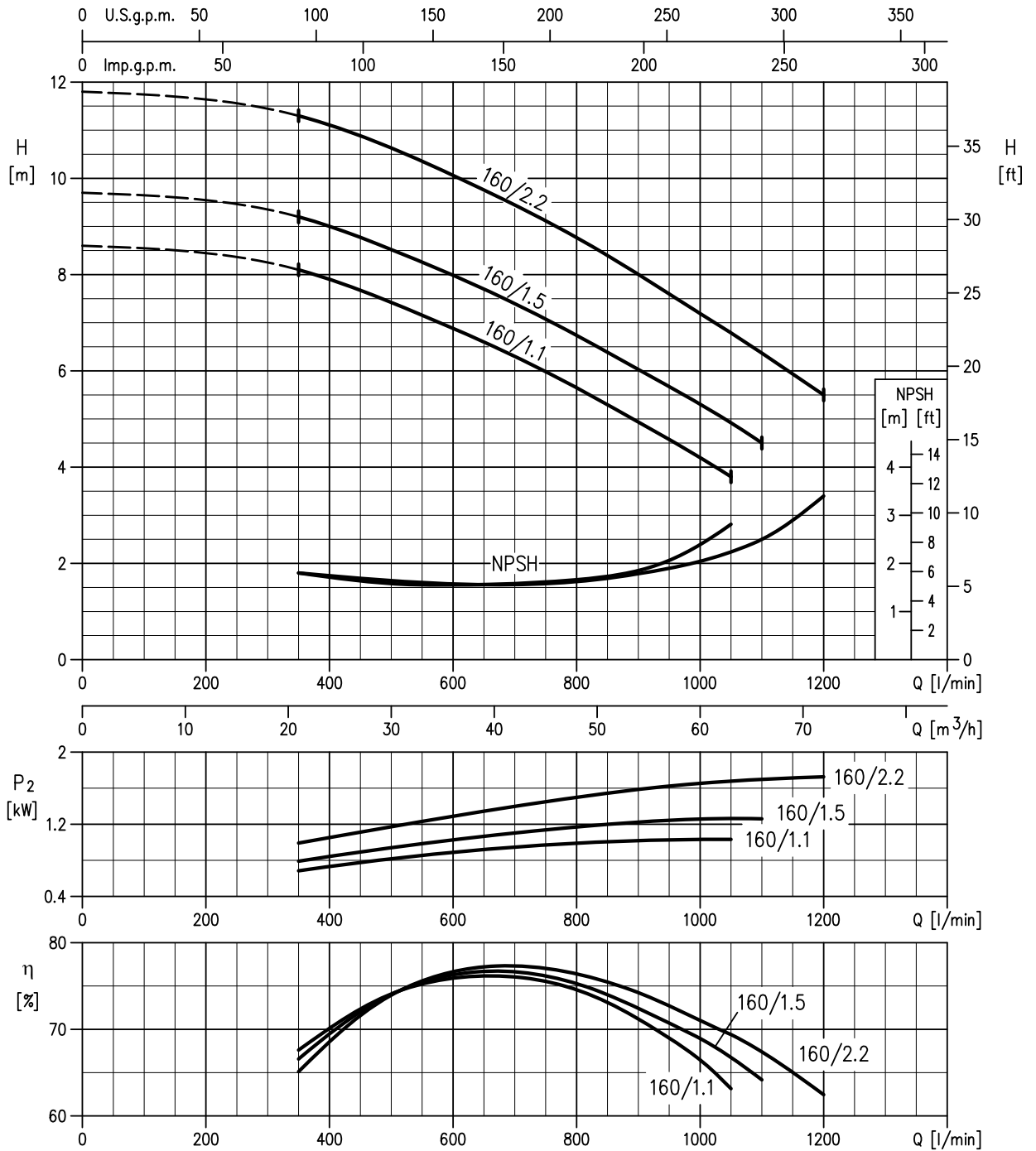
Rotation speed ≈ 1400 min⁻¹
 Test standard: ISO 9906:2012 - Grade 3B

65-125/0.55 (0.55 kW) – impeller diameter = 128 mm
 65-125/0.75 (0.75 kW) – impeller diameter = 138 mm
 65-125/1.1 (1.1 kW) – impeller diameter = 149 mm



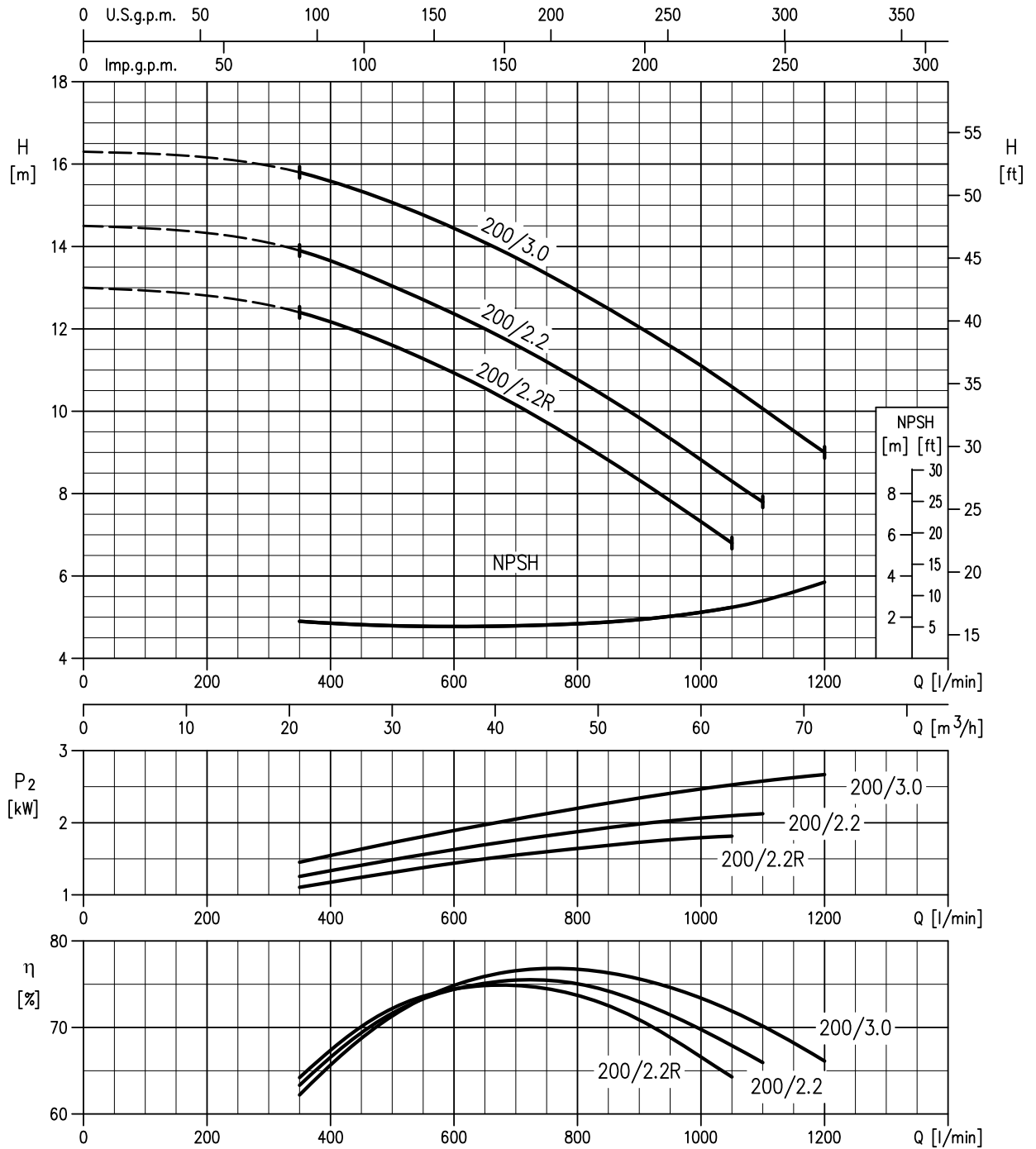
Rotation speed ≈ 1400 min⁻¹
 Test standard: ISO 9906:2012 - Grade 3B

65-160/1.1 (1.1 kW) – impeller diameter = 161 mm
 65-160/1.5 (1.5 kW) – impeller diameter = 168 mm
 65-160/2.2 (2.2 kW) – impeller diameter = 178 mm



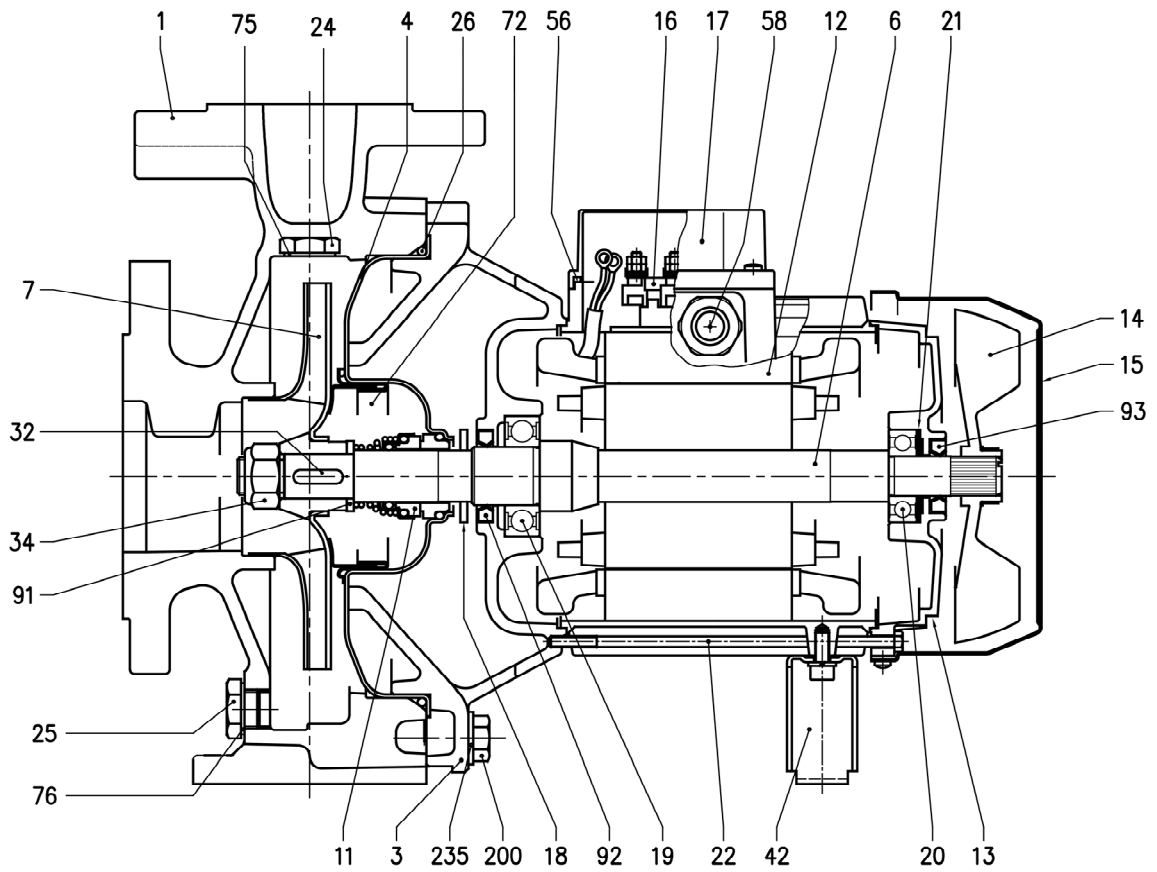
Rotation speed ≈ 1400 min⁻¹
 Test standard: ISO 9906:2012 - Grade 3B

65-200/2.2R (2.2 kW) – impeller diameter = 190 mm
 65-200/2.2 (2.2 kW) – impeller diameter = 201 mm
 65-200/3.0 (3.0 kW) – impeller diameter = 212 mm



Rotation speed ≈ 1400 min⁻¹
 Test standard: ISO 9906:2012 - Grade 3B

3D4 SECTIONAL VIEW DRAWING



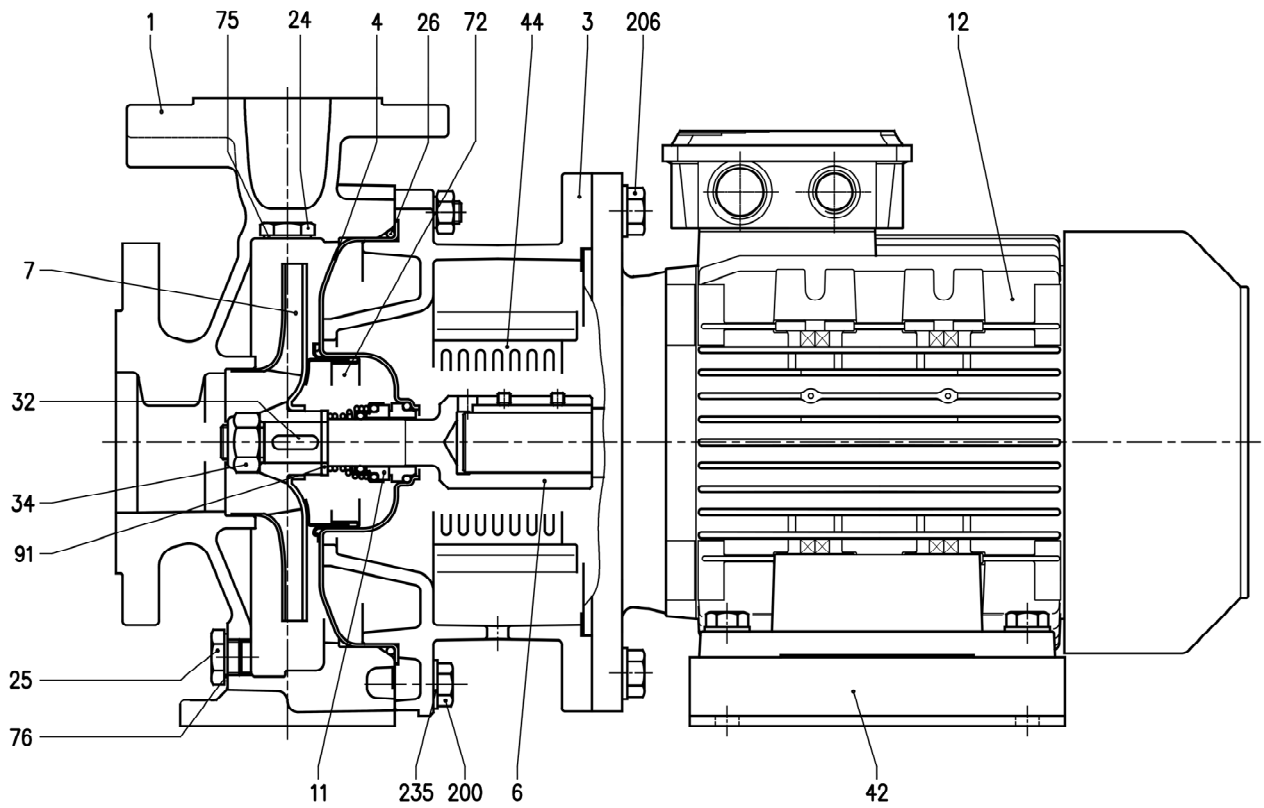
3D4 SECTIONAL VIEW TABLE

N°	PART NAME		MATERIAL	DIMENSIONS	STANDARD	Q.TY
001	Casing		Cast iron EN-GJL-250-EN 1561			1
003	Motor bracket		[1]			1
004	Casing cover		EN 1.4301 (AISI 304)			1
006	Shaft with rotor - Wet extension		EN 1.4301 (AISI 304)			1
007	Impeller		[2]			1
011	Mechanical seal		[3]	[3]		1
012	Motor frame with stator		-			1
013	Motor cover		Aluminium			1
014	Fan		PA			1
015	Fan cover		Fe P04 Galvanized			1
016	Terminal		-			1
017	Terminal box cover		Aluminium (three phase version)			1
018	Splash ring		NBR	40x21.5x2	EBARA DRAWING	1
019	Bearing		-	See table p. 307		1
020	Bearing		-	See table p. 307		1
021	Adjusting ring		Steel C70			1
022	Tie rod		Fe 42 Galvanized	M5	EBARA DRAWING	4
24	Priming plug		Brass	G 3/8" L=8		1
25	Draining plug		Brass	G 3/8" L=8		1
026	"O" ring	32-125, 40-125	NBR [4]	158.11x5.34	OR 6625	1
		32-160, 40-160, 50-125, 65-125		183.52x5.34	OR 6720	
		32-200, 40-200, 50-160,		227.96x5.34	OR 6895	
		50-200, 65-160, 65-200				
032	Key		EN 1.4401 (AISI 316)	A 6x6x25	UNI 6604	1
034	Impeller nut	Other models	EN 1.4301 (AISI 304)	M16x1.5	UNI 7474	1
		50-200/2.2		M18x1.5		
042	Foot		Aluminium / Galvanized steel		EBARA DRAWING	1
056	Box gasket		NBR			1
058	Cable gland		-			1
072	Casing ring [5]		EN 1.4301 (AISI 304)			1
075	Washer		Aluminum	22x17x1.5	EBARA DRAWING	1
076	Washer		Aluminum			
091	Impeller spacer [6]		EN 1.4401 (AISI 316)			1
092	Lip seal	Up to 1.5 kW	-	25x40x7	DIN 3760 without spring	1
		From 2.2 to 3 kW		30x47X7		
093	Lip seal	For 0.25 kW	-	15x30x5	DIN 3760 without spring	1
		For 0.37 kW and 0.55 kW		17x32x7		
		From 0.75 kW to 3 kW		25x40x7		
200	Screw	32-125	Gv. Steel 8.8 strenght class ISO 898-1	M 8x30	UNI 5739	8
		40-125		M 10x35		10
		32-160				
		40-160				
		50-125				
65-125	12					
32-200, 40-200						
50-160, 50-200						
65-160, 65-200						
235	Washer	32-125	Galvanized Steel	8.4x17	UNI 6592	8
		40-125				
		32-160		10.5x21		10
		40-160				
		50-125				
		65-125				
32-200, 40-200	12					
50-160, 50-200						
65-160, 65-200						

Counterflange kit on request see p. 311

- [1] Aluminum AL-EN-1706-AC-46000-D for 3D4 50-200/2.2; 65-125/0.75 and 1.1; 65-160/2.2; 65-200/2.2 and 3 kW
Cast iron EN-GJL-200-EN 1561 for all the others;
- [2] EN 1.4301 (AISI 304) for 32, 40, 50 series;
EN 1.4401 (AISI 316) for 65 series
- [3] For special version and dimensions see pag. 306
- [4] FPM for H, HS, HW, HSW version;
EPDM for E version
- [5] Only for: 32-200, 40-200, 50-160, 50-200
- [6] Only for 32-125/0.25

3DS4 SECTIONAL VIEW DRAWING



3DS4 SECTIONAL VIEW TABLE

N°	PART NAME	MATERIAL	DIMENSIONS	STANDARD	Q.TY
1	Casing	Cast iron EN-GJL-250-EN 1561			1
3	Motor bracket	Cast iron EN-GJL-200-EN 1561			1
4	Casing cover	EN 1.4301 (AISI 304)			1
6	Coupling - Wet extensions	EN 1.4301 (AISI 304)	See table p. 309		1
7	Impeller	[1]			1
11	Mechanical seal	[2]	[2]		1
12	Motor	-			1
24	Priming plug	Brass	G 3/8" L=8		1
25	Draing plug	Brass	G 3/8" L=8		1
26	"O" ring 32-12540-125 32-160, 40-160, 50-125, 65-125 32-200, 40-200, 50-160, 50-200, 65-160, 65-200	NBR [3]	158.11x5.34	OR 6625	1
			183.52x5.34	OR 6720	
			227.96x5.34	OR 6895	
32	Key	EN 1.4401 (AISI 316)	6x6x25	UNI 6604	1
34	Impeller nut Other models 50-200/2.2	EN 1.4301 (AISI 304)	M16x1.5	UNI 7474	1
			M18x1.5		
42	Foot	Galvanized Steel			1
44	Protection	EN 1.4301 (AISI 304)		EBARA DRAWING	1
72	Casing ring [4]	EN 1.4301 (AISI 304)			1
75	Washer	Aluminum	22x17x1.5	EBARA DRAWING	1
76	Washer	Aluminum			1
91	Impeller spacer [5]	EN 1.4401 (AISI 316)			1
200	Screw 32-125 40-125 32-160 40-160 50-125 65-125 32-200, 40-200 50-160, 50-200 65-160, 65-200	Galvanized Steel 8.8 strenght class ISO 898-1	M8x30	UNI 5739	8
			M10x35		10
					12
206	Screw for bracket up to 0.37 kW from 0.55 kW to 1.5 kW for 2.2 kW and 3 kW	Galvanized Steel 8.8 strenght class ISO 898-1	M8x20	UNI 5739	4
			M10x25		
			M12x30		
235	Washer 32-125 40-125 32-160 40-160 50-125 65-125 32-200, 40-200 50-160, 50-200 65-160, 65-200	Galvanized Steel	8.4x17	UNI 6592	8
			10.5x21		10
					12

Counterflange kit on request see p. 311

[1] EN 1.4301 (AISI 304) for 32, 40, 50 series;
EN 1.4401 (AISI 316) for 65 series

[2] See pag. 306

[3] FPM for H, HS, HW, HSW version;
EPDM for E version

[4] Only for: 32-200, 40-200, 50-160, 50-200

[5] Only for 32-125/0.25

3DP4 SECTIONAL VIEW TABLE

N°	PART NAME		MATERIAL	DIMENSIONS	STANDARD	Q.TY
1	Casing		Cast iron EN-GJL-250-EN 1561			1
3	Support		Cast iron EN-GJL-200-EN 1561			1
4	Casing cover		EN 1.4301 (AISI 304)			1
6	Shaft - Wet extension		EN 1.4301 (AISI 304)			1
006A	Flexible coupling		Cast iron EN-GJL-250-EN 1561	See table p. 310		1
7	Impeller		[1]			1
11	Mechanical seal		[2]	[2]		1
12	Motor		-			1
19	Bearing		-	See table p. 308		1
20	Bearing		-	See table p. 308		1
24	Priming plug		Brass	G 3/8" L=8	DIN 906	1
25	Drain plug		Brass	G 3/8" L=8	DIN 906	1
26	"O" ring	32-125, 40-125	NBR [3]	158.11x5.34	OR 6625	1
		32-160, 40-160, 50-125, 65-125		183.52x5.34	OR 6720	
		32-200, 40-200, 50-160, 50-200, 65-160, 65-200		227.96x5.34	OR 6895	
32	Key		EN 1.4401 (AISI 316)	6x6x25	UNI 6604	1
33	Key		C 40	8x7x40	UNI 6604	1
34	Impeller nut	Other models	EN 1.4301 (AISI 304)	M16x1.5	UNI 7474	1
		50-200/2.2		M18x1.5		
42	Pump support		Fe 37 Galvanized		EBARA DRAWING	1
042A	Base		Fe 37 Galvanized			1
44	Protection		Fe 37 Galvanized			1
50	Foot		Aluminium / Galvanized steel			1
58	Cable gland		-			1
66	Impeller side bearing cover		Cast iron EN-GJL-200-EN 1561			1
67	Motor side bearing cover		Cast iron EN-GJL-200-EN 1561			1
72	Casing ring [4]		EN 1.4301 (AISI 304)			1
75	Washer		Aluminum	22x17x1.5	EBARA DRAWING	1
76	Washer		Aluminum	22x17x1.5	EBARA DRAWING	1
89	Snap ring	32-125, 32-160	Carbon tool steel TC 80	Ø30	UNI 7435	1
		40-125				
		50-125		Ø40		
		Other models				
91	Impeller spacer [5]		EN 1.4401 (AISI 316)			1
92	"V" ring		-	VS - 0030		1
93	"V" ring		-	VS - 0030		1
200	Screw	32-125	Gv. Steel 8.8 strenght class ISO 898-1	M 8x30	UNI 5739	8
		40-125		M 10x35		10
		32-160				12
		40-160				
		50-125				
		65-125				
		32-200, 40-200				
		50-160, 50-200				
		65-160, 65-200				
235	Washer	32-125	Galvanized Steel	8.4x17	UNI 6592	8
		40-125		10.5x21		10
		32-160				12
		40-160				
		50-125				
		65-125				
		32-200, 40-200				
		50-160, 50-200				
		65-160, 65-200				

Counterflange kit on request see p. 311

[1] EN 1.4301 (AISI 304) for 32, 40, 50 series;

EN 1.4401 (AISI 316) for 65 series

[2] See pag. 306

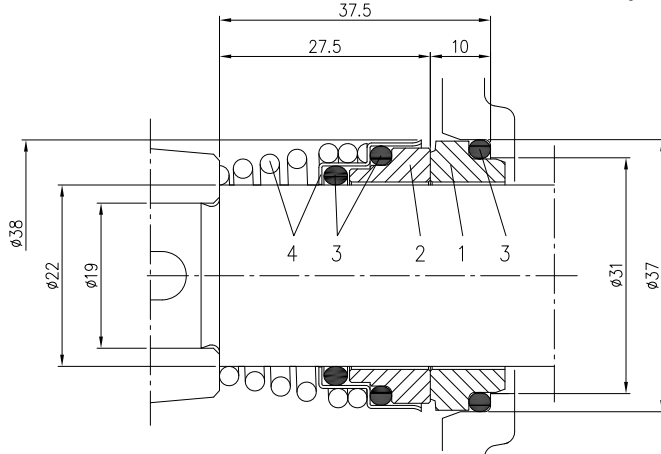
[3] FPM for H, HS, HW, HSW version;

EPDM for E version

[4] Only for: 32-200, 40-200, 50-160, 50-200

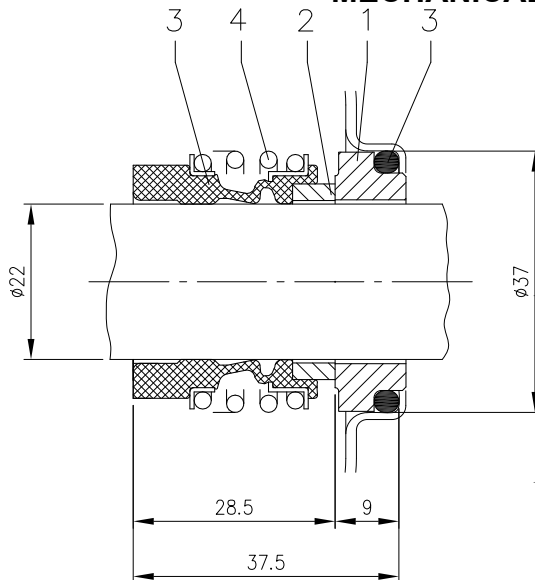
[5] Only for 32-125/0.25

MECHANICAL SEAL (standard, H, and E version)



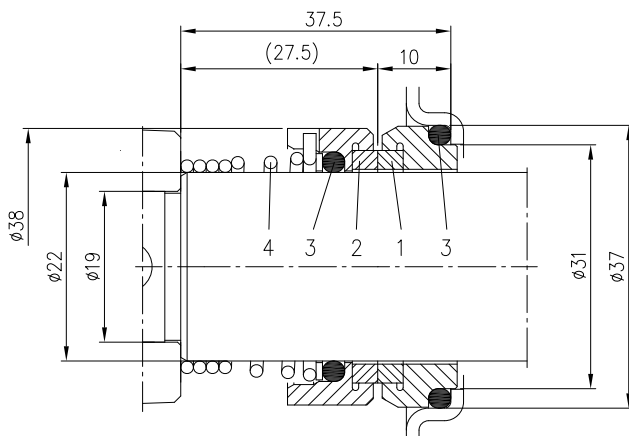
Version	Material			
	1 Stationary seal ring	2 Rotary seal ring	3 Rubber	4 Frame + Spring
Standard	Carbon	Ceramic	NBR	EN 1.4401 (AISI 316)
H	Carbon	Ceramic	FPM	EN 1.4401 (AISI 316)
E	Carbon	Ceramic	EPDM	EN 1.4401 (AISI 316)

MECHANICAL SEAL (HS version)



Version	Material			
	1 Stationary seal ring	2 Rotary seal ring	3 Rubber	4 Frame + spring
HS	SiC	SiC	FPM	EN 1.4571 (AISI 316Ti)

MECHANICAL SEAL (HW and HSW version)



Version	Material			
	1 Stationary seal ring	2 Rotary seal ring	3 Rubber	4 Frame + spring
HW	Tungsten Carbide	Tungsten Carbide	FPM	EN 1.4401 (AISI 316)
HSW	Tungsten Carbide	SiC	FPM	EN 1.4401 (AISI 316)

FLUID TEMPERATURE RANGE

The maximum allowable temperature for the pumped fluid is a determining factor for the operational life of the pump. A primary role in this limitation is played by the materials of the mechanical seals (rings and elastomers), whose thermal resistance often defines the upper limit. The general construction materials of the pump (casing, impeller) and the lubricant used also contribute to defining the maximum temperature. Although the fluid properties and operating conditions have an impact, the choice of suitable seal materials for the operating temperature is crucial to prevent leaks and ensure the reliability of the pumping system.

To preserve optimal performance and prevent failures, we recommend to operate within the following limits:

STANDARD mechanical seal	TEMPERATURE	
	MIN	MAX
STANDARD	-5 °C	90 °C

OPTIONAL mechanical seal	TEMPERATURE	
	MIN	MAX
H *	-5 °C	110 °C
HS *	-5 °C	110 °C
HW *	-5 °C	110 °C
HSW *	-5 °C	110 °C
E	-5 °C	120 °C

* in case the pumped fluid is water in combination to FPM elastomers, a maximum temperature fluid of 75°C is recommended in order to guarantee a longer life of the sealing parts

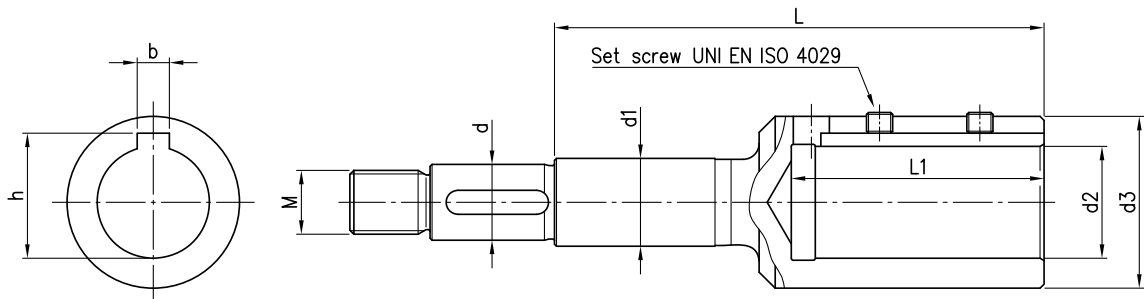
3D4 – 3DS4 BEARINGS

3D4		
Pump type	Ball bearing	
	Pump side	Fan side
3D4 32-125/0.25	6205-2DW C3	6202-2DW C3
3D4 32-160/0.37R		6203-2DW C3
3D4 32-160/0.37		
3D4 32-200/0.55R		
3D4 32-200/0.55		
3D4 32-200/0.75	6205 - ZZ C3	6205 - ZZ C3
3D4 40-125/0.37R	6205-2DW C3	6203-2DW C3
3D4 40-125/0.37		
3D4 40-160/0.55R		
3D4 40-160/0.55		
3D4 40-200/1.1R		
3D4 40-200/1.1	6205 - ZZ C3	6205 - ZZ C3
3D4 40-200/1.5		
3D4 50-125/0.55R		
3D4 50-125/0.55	6205-2DW C3	6203-2DW C3
3D4 50-160/1.1R		
3D4 50-160/1.1		
3D4 50-200/1.5R		
3D4 50-200/1.5		
3D4 50-200/2.2	6206 - ZZC3	6205 - ZZC3
3D4 65-125/0.55	6205-2DW C3	6203-2DW C3
3D4 65-125/0.75		
3D4 65-125/1.1	6205 - ZZ C3	6205 - ZZ C3
3D4 65-160/1.1		
3D4 65-160/1.5		
3D4 65-160/2.2		
3D4 65-200/2.2R	6206 - ZZ C3	6205 - ZZ C3
3D4 65-200/2.2		
3D4 65-200/3.0		

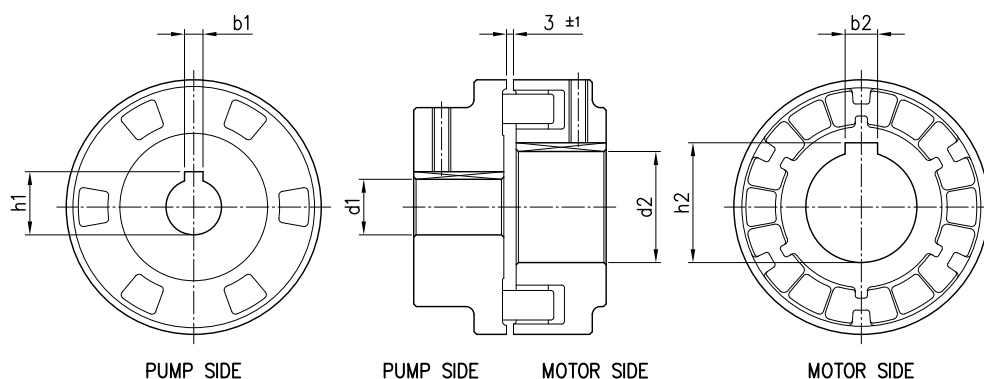
3DS4		
Pump type	Ball bearing	
	Pump side	Fan side
3DS4 32-125/0.25	6203-2Z	6203-2Z
3DS4 32-160/0.37R		
3DS4 32-160/0.37		
3DS4 32-200/0.55R	6204-2Z C3	6204-2Z C3
3DS4 32-200/0.55		
3DS4 32-200/0.75	6203-2Z	6203-2Z
3DS4 40-125/0.37R		
3DS4 40-125/0.37		
3DS4 40-160/0.55R		
3DS4 40-160/0.55		
3DS4 40-200/1.1R	6204-2Z C3	6204-2Z C3
3DS4 40-200/1.1		
3DS4 40-200/1.5		
3DS4 40-200/1.5	6205-2Z C3	6205-2Z C3
3DS4 50-125/0.55R		
3DS4 50-125/0.55		
3DS4 50-160/1.1R		
3DS4 50-160/1.1		
3DS4 50-200/1.5R	6204-2Z C3	6204-2Z C3
3DS4 50-200/1.5		
3DS4 50-200/2.2		
3DS4 65-125/0.55	6206-2Z C3	6206-2Z C3
3DS4 65-125/0.75		
3DS4 65-125/1.1	6205-2Z C3	6205-2Z C3
3DS4 65-160/1.1		
3DS4 65-160/1.5		
3DS4 65-160/2.2		
3DS4 65-200/2.2R	6206-2Z C3	6206-2Z C3
3DS4 65-200/2.2		
3DS4 65-200/3.0		

3DP4 BEARINGS

3DP4				
Pump type	Ball bearing			
	Pump		Motor	
	Pump side	Motor side	Pump side	Fan side
3DP4 32-125/0.25	6306-2RS1 C3	6206-2RS1 C3	6203-2Z	6203-2Z
3DP4 32-160/0.37R				
3DP4 32-160/0.37				
3DP4 32-200/0.55R	6308-2RS1 C3	6306-2RS1 C3	6204-2Z C3	6204-2Z C3
3DP4 32-200/0.55				
3DP4 32-200/0.75				
3DP4 40-125/0.37R	6306-2RS1 C3	6206-2RS1 C3	6203-2Z	6203-2Z
3DP4 40-125/0.37				
3DP4 40-160/0.55R				
3DP4 40-160/0.55				
3DP4 40-200/1.1R	6308-2RS1 C3	6306-2RS1 C3	6205-2Z C3	6205-2Z C3
3DP4 40-200/1.1				
3DP4 40-200/1.5				
3DP4 50-125/0.55R	6306-2RS1 C3	6206-2RS1 C3	6204-2Z C3	6204-2Z C3
3DP4 50-125/0.55				
3DP4 50-160/1.1R	6308-2RS1 C3	6306-2RS1 C3	6205-2Z C3	6205-2Z C3
3DP4 50-160/1.1				
3DP4 50-200/1.5R				
3DP4 50-200/1.5				
3DP4 50-200/2.2	6306-2RS1 C3	6206-2RS1 C3	6206-2Z C3	6206-2Z C3
3DP4 65-125/0.55				
3DP4 65-125/0.75	6308-2RS1 C3	6306-2RS1 C3	6204-2Z C3	6204-2Z C3
3DP4 65-125/1.1				
3DP4 65-160/1.1				
3DP4 65-160/1.1	6308-2RS1 C3	6306-2RS1 C3	6205-2Z C3	6205-2Z C3
3DP4 65-160/1.5				
3DP4 65-160/2.2				
3DP4 65-200/2.2R				
3DP4 65-200/2.2				
3DP4 65-200/3				

3DS4 COUPLING

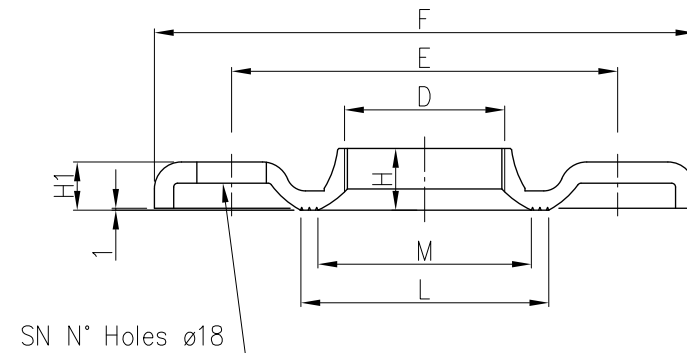
Pump type	[kW]	[HP]	Motor Size	Dimensions [mm]									
				d	d1	d2	d3	M	L	L1	b	h	Set screw
32-125/0.25	0.25	0.33	71	19	22	14	28	M16x1.5	88	33	5	16.3	M5x6
32-160/0.37R	0.37	0.5	71	19	22	14	28	M16x1.5	88	33	5	16.3	M5x6
32-160/0.37	0.37	0.5	71	19	22	14	28	M16x1.5	88	33	5	16.3	M5x6
32-200/0.55R	0.55	0.75	80	19	22	19	33	M16x1.5	98	43	6	21.8	M6x6
32-200/0.55	0.55	0.75	80	19	22	19	33	M16x1.5	98	43	6	21.8	M6x6
32-200/0.75	0.75	1	80	19	22	19	33	M16x1.5	98	43	6	21.8	M6x6
40-125/0.37R	0.37	0.5	71	19	22	14	28	M16x1.5	88	33	5	16.3	M5x6
40-125/0.37	0.37	0.5	71	19	22	14	28	M16x1.5	88	33	5	16.3	M5x6
40-160/0.55R	0.55	0.75	80	19	22	19	33	M16x1.5	98	43	6	21.8	M6x6
40-160/0.55	0.55	0.75	80	19	22	19	33	M16x1.5	98	43	6	21.8	M6x6
40-200/1.1R	1.1	1.5	90	19	22	24	39	M16x1.5	110	53	8	27.3	M8x8
40-200/1.1	1.1	1.5	90	19	22	24	39	M16x1.5	110	53	8	27.3	M8x8
40-200/1.5	1.5	2	90	19	22	24	39	M16x1.5	110	53	8	27.3	M8x8
50-125/0.55R	0.55	0.75	80	19	22	19	33	M16x1.5	98	43	6	21.8	M6x6
50-125/0.55	0.55	0.75	80	19	22	19	33	M16x1.5	98	43	6	21.8	M6x6
50-160/1.1R	1.1	1.5	90	19	22	24	39	M16x1.5	110	53	8	27.3	M8x8
50-160/1.1	1.1	1.5	90	19	22	24	39	M16x1.5	110	53	8	27.3	M8x8
50-200/1.5R	1.5	2	90	19	22	24	39	M16x1.5	110	53	8	27.3	M8x8
50-200/1.5	1.5	2	90	19	22	24	39	M16x1.5	110	53	8	27.3	M8x8
50-200/2.2	2.2	3	100	22	22	28	43	M18x1.5	153	63	8	31.3	M8x8
65-125/0.55	0.55	0.75	80	19	22	19	33	M16x1.5	98	43	6	21.8	M6x6
65-125/0.75	0.75	1	80	19	22	19	33	M16x1.5	98	43	6	21.8	M6x6
65-125/1.1	1.1	1.5	90	19	22	24	39	M16x1.5	110	53	8	27.3	M8x8
65-160/1.1	1.1	1.5	90	19	22	24	39	M16x1.5	110	53	8	27.3	M8x8
65-160/1.5	1.5	2	90	19	22	24	39	M16x1.5	110	53	8	27.3	M8x8
65-160/2.2	2.2	3	100	19	22	28	43	M16x1.5	122	63	8	31.3	M8x8
65-200/2.2R	2.2	3	100	19	22	28	43	M16x1.5	122	63	8	31.3	M8x8
65-200/2.2	2.2	3	100	19	22	28	43	M16x1.5	122	63	8	31.3	M8x8
65-200/3	3	4	100	19	22	28	43	M16x1.5	122	63	8	31.3	M8x8

3DP4 FLEXIBLE COUPLING

Pump type	[kW]	[HP]	Motor Size	Dimensions [mm]					
				d1	b1	h1	d2	b2	h2
32-125/0.25	0.25	0.33	71	24	8	27.3	14	5	16.3
32-160/0.37R	0.37	0.5	71	24	8	27.3	14	5	16.3
32-160/0.37	0.37	0.5	71	24	8	27.3	14	5	16.3
32-200/0.55R	0.55	0.75	80	24	8	27.3	19	6	21.8
32-200/0.55	0.55	0.75	80	24	8	27.3	19	6	21.8
32-200/0.75	0.75	1	80	24	8	27.3	19	6	21.8
40-125/0.37R	0.37	0.5	71	24	8	27.3	14	5	16.3
40-125/0.37	0.37	0.5	71	24	8	27.3	14	5	16.3
40-160/0.55R	0.55	0.75	80	24	8	27.3	19	6	21.8
40-160/0.55	0.55	0.75	80	24	8	27.3	19	6	21.8
40-200/1.1R	1.1	1.5	90	24	8	27.3	24	8	27.3
40-200/1.1	1.1	1.5	90	24	8	27.3	24	8	27.3
40-200/1.5	1.5	2	90	24	8	27.3	24	8	27.3
50-125/0.55R	0.55	0.75	80	24	8	27.3	19	6	21.8
50-125/0.55	0.55	0.75	80	24	8	27.3	19	6	21.8
50-160/1.1R	1.1	1.5	90	24	8	27.3	24	8	27.3
50-160/1.1	1.1	1.5	90	24	8	27.3	24	8	27.3
50-200/1.5R	1.5	2	90	24	8	27.3	24	8	27.3
50-200/1.5	1.5	2	90	24	8	27.3	24	8	27.3
50-200/2.2	2.2	3	100	24	8	27.3	28	8	31.3
65-125/0.55	0.55	0.75	80	24	8	27.3	19	6	21.8
65-125/0.75	0.75	1	80	24	8	27.3	19	6	21.8
65-125/1.1	1.1	1.5	90	24	8	27.3	24	8	27.3
65-160/1.1	1.1	1.5	90	24	8	27.3	24	8	27.3
65-160/1.5	1.5	2	90	24	8	27.3	24	8	27.3
65-160/2.2	2.2	3	100	24	8	27.3	28	8	31.3
65-200/2.2R	2.2	3	100	24	8	27.3	28	8	31.3
65-200/2.2	2.2	3	100	24	8	27.3	28	8	31.3
65-200/3	3	4	100	24	8	27.3	28	8	31.3

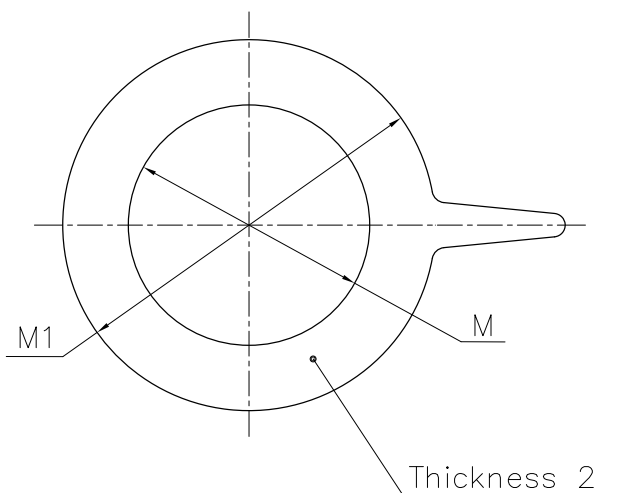
FITTINGS

COUNTERFLANGES GALVANIZED STEEL



DN	Dimensions								Screws	
	D	E	F	H	H1	L	M	SN	DIMENSION	MATERIAL
32	G 1 ¼	100	140	15	11.5	67	50	4	M16x55	Gv. Steel 8.8 Strength class ISO 898-1
40	G 1 ½	110	150	17.5	11.5	72	58	4		
50	G 2	125	165	19	15	89	70	4		
65	G 2 ½	145	185	23	14	104	88	4		
80	G 3	160	200	24	14.5	117.5	100	4		

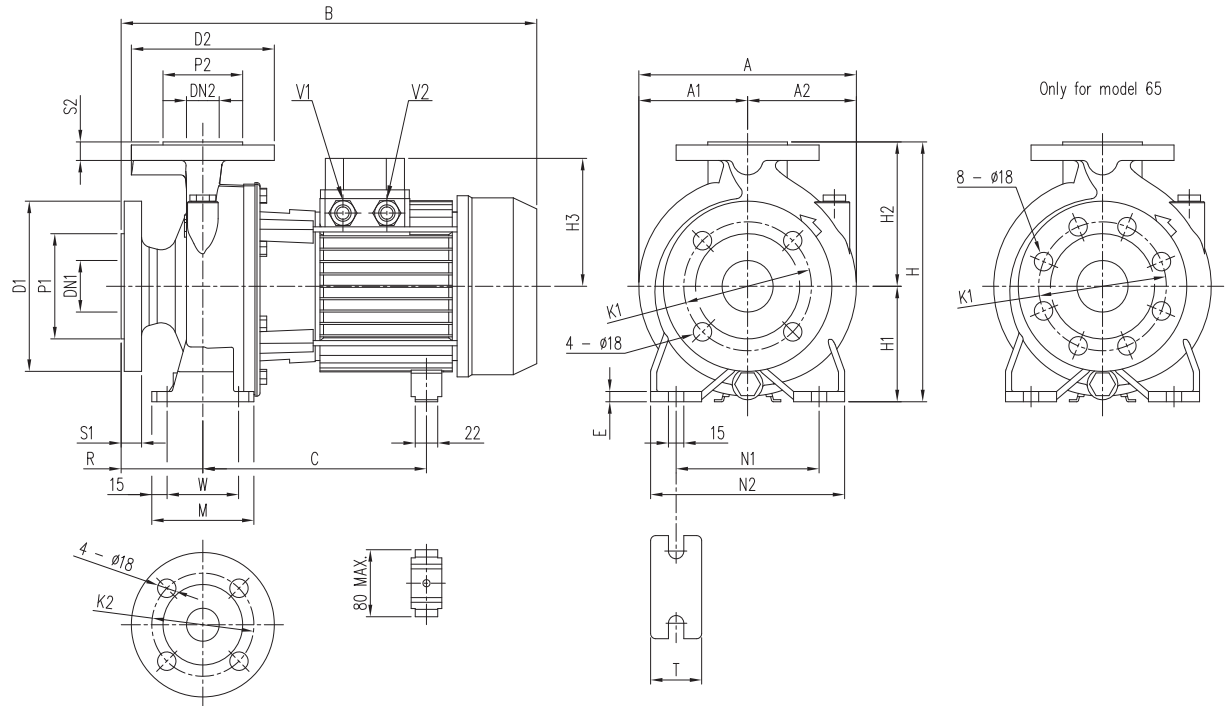
GASKETS



DN	M	M1
32	38	82
40	50	93
50	60	107
65	80	125
80	90	140

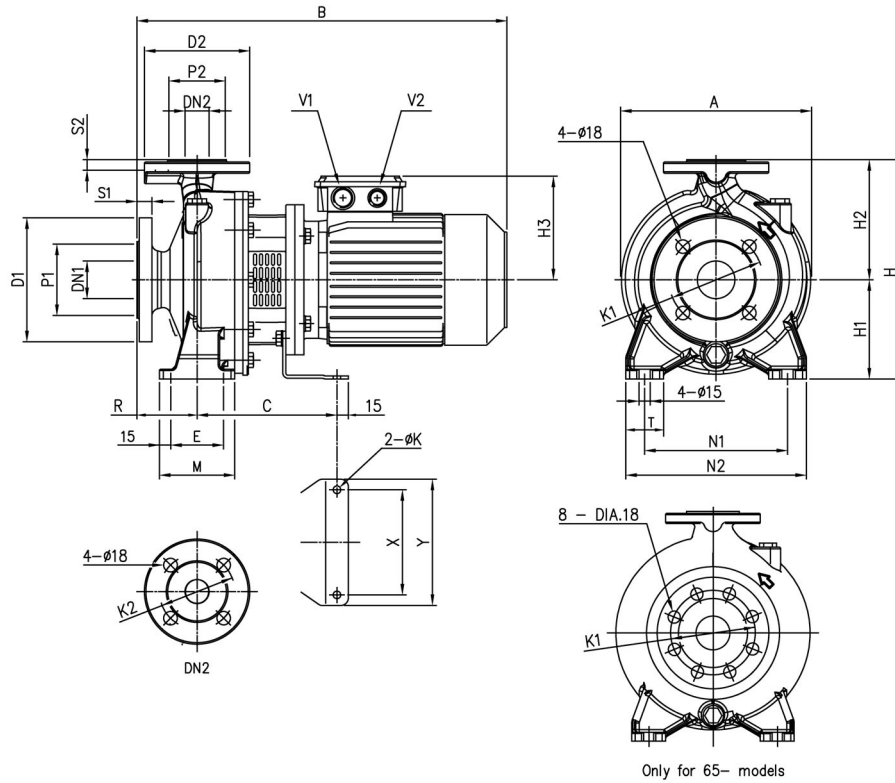
Material: EPDM for standard version
FPM for hot water version

PUMP 3D4



Pump type	Dimensions [mm]																							Weight [kgf]				
	Ø DN1	Ø P1	Ø K1	Ø D1	S1	Ø DN2	Ø P2	Ø K2	Ø D2	S2	H	H1	H2	H3	R	W	M	N1	N2	T	E	A	A1		A2	B	C	V2
32-125/0.25	50	102	125	165	20	32	78	100	140	18	252	112	140	102	80	70	100	140	190	50	10	213	106,5	106,5	371	205	PG 11	25,1
32-160/0.37R	50	102	125	165	20	32	78	100	140	18	292	132	160	119	80	70	100	190	240	50	10	254	127	127	393	219	PG 11	33,4
32-160/0.37	50	102	125	165	20	32	78	100	140	18	292	132	160	119	80	70	100	190	240	50	10	254	127	127	393	219	PG 11	33,7
32-200/0.55R	50	102	125	165	20	32	78	100	140	18	340	160	180	119	80	70	100	190	240	50	10	296	148	148	393	219	PG 11	38,2
32-200/0.55	50	102	125	165	20	32	78	100	140	18	340	160	180	119	80	70	100	190	240	50	10	296	148	148	393	219	PG 11	38,2
32-200/0.75	50	102	125	165	20	32	78	100	140	18	340	160	180	124	80	70	100	190	240	50	10	296	148	148	432	244+255	PG 13.5	39,5
40-125/0.37R	65	122	145	185	20	40	88	110	150	18	252	112	140	102	80	70	100	160	210	50	10	213	108	112	371	205	PG 11	27,0
40-125/0.37	65	122	145	185	20	40	88	110	150	18	252	112	140	102	80	70	100	160	210	50	10	213	108	112	371	205	PG 11	27,1
40-160/0.55R	65	122	145	185	20	40	88	110	150	18	292	132	160	119	80	70	100	190	240	50	12	254	127	127	393	219	PG 11	34,5
40-160/0.55	65	122	145	185	20	40	88	110	150	18	292	132	160	119	80	70	100	190	240	50	12	254	127	127	393	219	PG 11	35,0
40-200/1.1R	65	122	145	185	20	40	88	110	150	18	340	160	180	124	100	70	100	212	265	50	12	296	148	148	452	244+255	PG 13.5	41,2
40-200/1.1	65	122	145	185	20	40	88	110	150	18	340	160	180	124	100	70	100	212	265	50	12	296	148	148	452	244+255	PG 13.5	41,3
40-200/1.5	65	122	145	185	20	40	88	110	150	18	340	160	180	141	100	70	100	212	265	50	12	296	148	148	484	253	M20x1,5	43,0
50-125/0.55R	65	122	145	185	20	50	102	125	165	20	292	132	160	119	100	70	100	190	240	50	10	254	127	127	413	219	PG 11	35,0
50-125/0.55	65	122	145	185	20	50	102	125	165	20	292	132	160	119	100	70	100	190	240	50	10	254	127	127	413	219	PG 11	35,1
50-160/1.1R	65	122	145	185	20	50	102	125	165	20	340	160	180	124	100	70	100	212	265	50	10	296	148	148	452	244+255	PG 13.5	42,2
50-160/1.1	65	122	145	185	20	50	102	125	165	20	340	160	180	124	100	70	100	212	265	50	10	296	148	148	452	244+255	PG 13.5	42,3
50-200/1.5R	65	122	145	185	20	50	102	125	165	20	360	160	200	141	100	70	100	212	265	50	10	296	148	148	484	253	M20x1,5	43,4
50-200/1.5	65	122	145	185	20	50	102	125	165	20	360	160	200	141	100	70	100	212	265	50	10	296	148	148	484	253	M20x1,5	44,5
50-200/2.2	65	122	145	185	20	50	102	125	165	20	360	160	200	141	100	70	100	212	265	50	10	296	148	148	521	253	M20x1,5	42,9
65-125/0.55	80	138	160	200	22	65	122	145	185	20	340	160	180	119	100	95	125	212	280	65	12	263	127	136	413	219	PG 11	40,2
65-125/0.75	80	138	160	200	22	65	122	145	185	20	340	160	180	124	100	95	125	212	280	65	12	263	127	136	452	244+255	PG 13.5	35,3
65-125/1.1	80	138	160	200	22	65	122	145	185	20	340	160	180	124	100	95	125	212	280	65	12	263	127	136	452	244+255	PG 13.5	35,3
65-160/1.1	80	138	160	200	22	65	122	145	185	20	360	160	200	124	100	95	125	212	280	65	12	296	148	148	452	244+255	PG 13.5	44,6
65-160/1.5	80	138	160	200	22	65	122	145	185	20	360	160	200	141	100	95	125	212	280	65	12	296	148	148	484	253	M20x1,5	46,1
65-160/2.2	80	138	160	200	22	65	122	145	185	20	360	160	200	141	100	95	125	212	280	65	12	296	148	148	521	253	M20x1,5	48,1
65-200/2.2R	80	138	160	200	22	65	122	145	185	20	405	180	225	141	100	95	125	250	320	65	12	312	154,5	157,5	524	253	M20x1,5	46,5
65-200/2.2	80	138	160	200	22	65	122	145	185	20	405	180	225	141	100	95	125	250	320	65	12	312	154,5	157,5	524	253	M20x1,5	46,5
65-200/3	80	138	160	200	22	65	122	145	185	20	405	180	225	141	100	95	125	250	320	65	12	312	154,5	157,5	514	253	PG 16	54,5

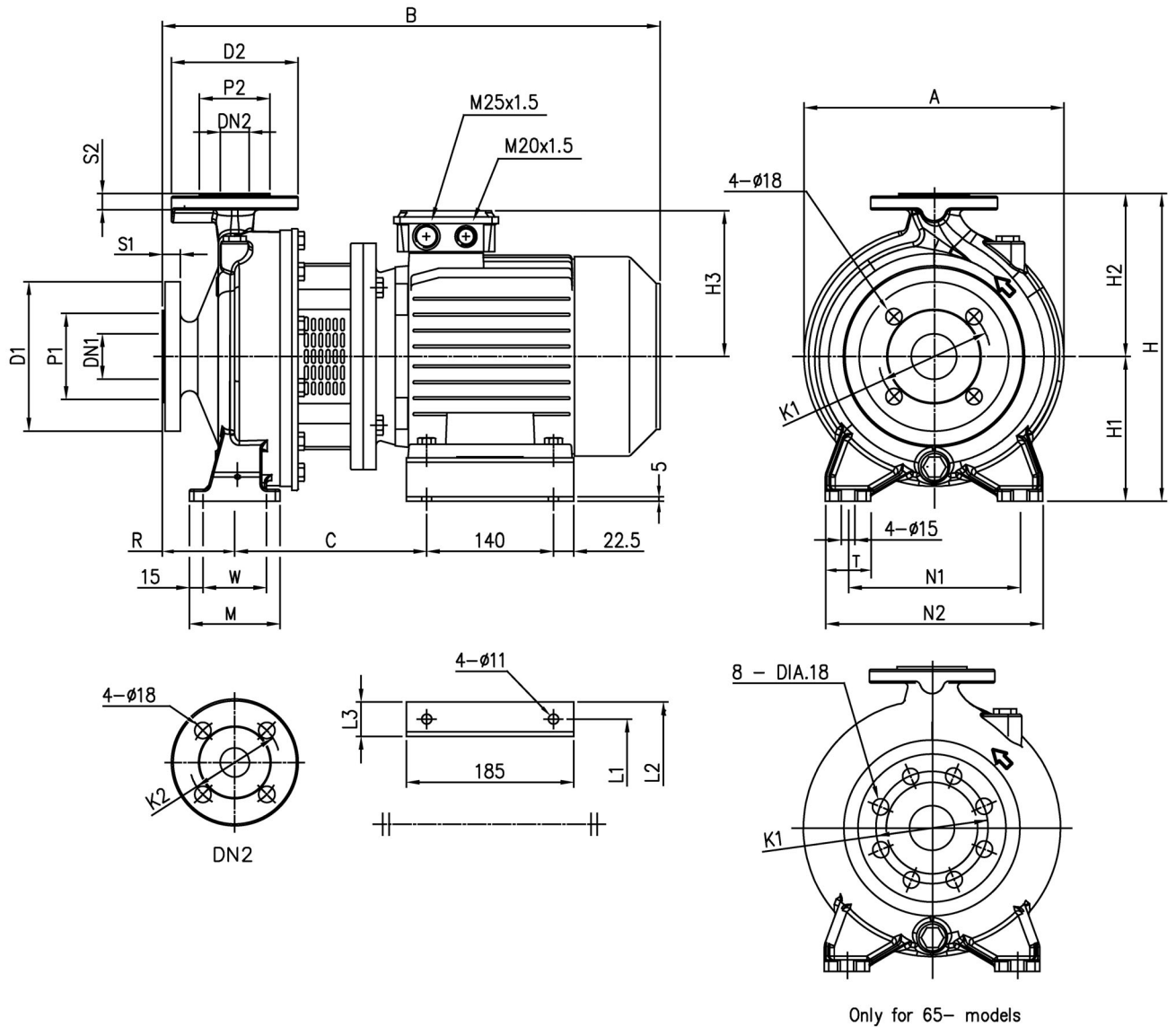
PUMP 3DS4 32, 40, 50, 65



Pump type	Dimensions [mm]																												Weight [kgf]	
	Ø DN1	Ø P1	Ø K1	Ø D1	S1	Ø DN2	Ø P2	Ø K2	Ø D2	S2	H	H1	H2	H3	R	W	M	N1	N2	T	A	B	C	X	Y	K	V1	V2		(*)
32-125/0.25	50	102	125	165	20	32	78	100	140	18	252	112	140	114	80	70	100	140	190	50	213	404	153	112	140	8	M20x1.5	M16x1.5	24.3	-
32-160/0.37R	50	102	125	165	20	32	78	100	140	18	292	132	160	114	80	70	100	190	240	50	254	404	153	112	140	8	M20x1.5	M16x1.5	29.9	-
32-160/0.37	50	102	125	165	20	32	78	100	140	18	292	132	160	114	80	70	100	190	240	50	254	404	153	112	140	8	M20x1.5	M16x1.5	30.1	-
32-200/0.55R	50	102	125	165	20	32	78	100	140	18	340	160	180	139	80	70	100	190	240	50	296	430	174	140	168	10	M25x1.5	M20x1.5	39.4	-
32-200/0.55	50	102	125	165	20	32	78	100	140	18	340	160	180	139	80	70	100	190	240	50	296	430	174	140	168	10	M25x1.5	M20x1.5	44.4	-
32-200/0.75	50	102	125	165	20	32	78	100	140	18	340	160	180	139	80	70	100	190	240	50	296	430	174	140	168	10	M25x1.5	M20x1.5	40.9	40.9
40-125/0.37R	65	122	145	185	20	40	88	110	150	18	252	112	140	114	80	70	100	160	210	50	220	404	153	112	140	8	M20x1.5	M16x1.5	25.3	-
40-125/0.37	65	122	145	185	20	40	88	110	150	18	252	112	140	114	80	70	100	160	210	50	220	404	153	112	140	8	M20x1.5	M16x1.5	25.3	-
40-160/0.55R	65	122	145	185	20	40	88	110	150	18	292	132	160	139	80	70	100	190	240	50	254	430	174	140	168	10	M25x1.5	M20x1.5	35.6	-
40-160/0.55	65	122	145	185	20	40	88	110	150	18	292	132	160	139	80	70	100	190	240	50	254	430	174	140	168	10	M25x1.5	M20x1.5	35.6	-
40-200/1.1R	65	122	145	185	20	40	88	110	150	18	340	160	180	148	100	70	100	212	265	50	296	497	186	140	168	10	M25x1.5	M20x1.5	47	49.2
40-200/1.1	65	122	145	185	20	40	88	110	150	18	340	160	180	148	100	70	100	212	265	50	296	497	186	140	168	10	M25x1.5	M20x1.5	47	49.2
40-200/1.5	65	122	145	185	20	40	88	110	150	18	340	160	180	148	100	70	100	212	265	50	296	497	186	140	168	10	M25x1.5	M20x1.5	48.2	50.8
50-125/0.55R	65	122	145	185	20	50	102	125	165	20	292	132	160	139	100	70	100	190	240	50	254	450	174	140	168	10	M25x1.5	M20x1.5	36	-
50-125/0.55	65	122	145	185	20	50	102	125	165	20	292	132	160	139	100	70	100	190	240	50	254	450	174	140	168	10	M25x1.5	M20x1.5	36	-
50-160/1.1R	65	122	145	185	20	50	102	125	165	20	340	160	180	148	100	70	100	212	265	50	296	497	186	140	168	10	M25x1.5	M20x1.5	47.6	49.8
50-160/1.1	65	122	145	185	20	50	102	125	165	20	340	160	180	148	100	70	100	212	265	50	296	497	186	140	168	10	M25x1.5	M20x1.5	47.6	49.8
50-200/1.5R	65	122	145	185	20	50	102	125	165	20	360	160	200	148	100	70	100	212	265	50	296	497	186	140	168	10	M25x1.5	M20x1.5	50	52.6
50-200/1.5	65	122	145	185	20	50	102	125	165	20	360	160	200	148	100	70	100	212	265	50	296	497	186	140	168	10	M25x1.5	M20x1.5	50	52.6
65-125/0.55	80	138	160	200	22	65	122	145	185	20	340	160	180	139	100	95	125	212	280	65	263	450	174	140	168	10	M25x1.5	M20x1.5	36.8	-
65-125/0.75	80	138	160	200	22	65	122	145	185	20	340	160	180	139	100	95	125	212	280	65	263	450	174	140	168	10	M25x1.5	M20x1.5	45.3	45.3
65-125/1.1	80	138	160	200	22	65	122	145	185	20	340	160	180	148	100	95	125	212	280	65	263	497	186	140	168	10	M25x1.5	M20x1.5	45.3	47.5
65-160/1.1	80	138	160	200	22	65	122	145	185	20	360	160	200	148	100	95	125	212	280	65	296	497	186	140	168	10	M25x1.5	M20x1.5	47.1	49.3
65-160/1.5	80	138	160	200	22	65	122	145	185	20	360	160	200	148	100	95	125	212	280	65	296	497	186	140	168	10	M25x1.5	M20x1.5	59.1	61.7

(*) Only for IE3 Motors

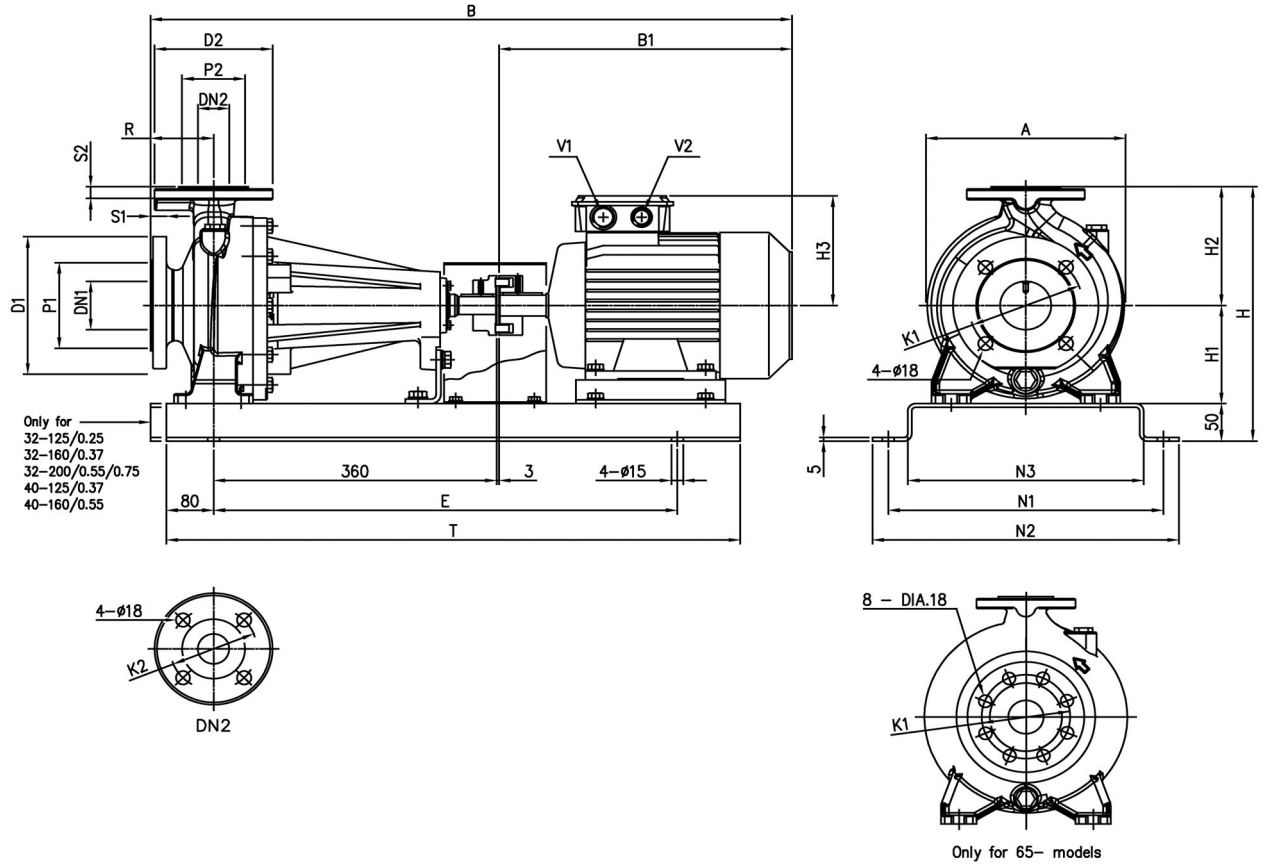
PUMP 3DS4 50,65



Pump type	Dimensions [mm]																									Weight [kgf]	
	∅ DN1	∅ P1	∅ K1	∅ D1	S1	∅ DN2	∅ P2	∅ K2	∅ D2	S2	H	H1	H2	R	W	M	A	B	L1	L2	L3	N1	N2	T	(*)		
50-200/2.2	65	122	145	185	20	50	102	125	165	20	360	160	200	100	70	100	296	548	160	202	42	212	265	50	55.9	56.3	
65-160/2.2	80	138	160	200	22	65	122	145	185	20	360	160	200	100	95	125	296	548	160	202	42	212	280	65	62.1	62.5	
65-200/2.2R	80	138	160	200	22	65	122	145	185	20	405	180	225	100	95	125	312	548	160	202	42	250	320	65	59	59.4	
65-200/2.2	80	138	160	200	22	65	122	145	185	20	405	180	225	100	95	125	312	548	160	202	42	250	320	65	59.5	59.9	
65-200/3	80	138	160	200	22	65	122	145	185	20	405	180	225	100	95	125	312	563	160	202	42	250	320	65	65	65	

(*) Only for IE3 Motors

PUMP 3DP4

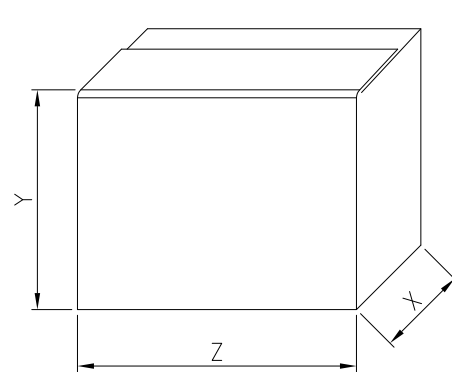


Pump type	Dimensions [mm]																				Weight [kgfl]	(*)					
	DN1	P1	K1	D1	S1	DN2	P2	K2	D2	S2	H	H1	H2	H3	R	A	B	B1	E	N1			N2	N3	T	V1	V2
32-125/0.25	50	102	125	165	20	32	78	100	140	18	302	112	140	114	80	213	689	246	550	300	340	250	710	M20X1.5	M16X1.5	45.9	-
32-160/0.37R	50	102	125	165	20	32	78	100	140	18	342	132	160	114	80	254	689	246	510	350	390	300	670	M20X1.5	M16X1.5	52.4	-
32-160/0.37	50	102	125	165	20	32	78	100	140	18	342	132	160	114	80	254	689	246	510	350	390	300	670	M20X1.5	M16X1.5	52.4	-
32-200/0.55R	50	102	125	165	20	32	78	100	140	18	390	160	180	139	80	296	715	272	510	350	390	300	670	M25X1.5	M20X1.5	64.9	-
32-200/0.55	50	102	125	165	20	32	78	100	140	18	390	160	180	139	80	296	715	272	510	350	390	300	670	M25X1.5	M20X1.5	64.9	-
32-200/0.75	50	102	125	165	20	32	78	100	140	18	390	160	180	139	80	296	715	272	510	350	390	300	670	M25X1.5	M20X1.5	65.9	65.9
40-125/0.37R	65	122	145	185	20	40	88	110	150	18	302	112	140	114	80	220	689	246	550	300	340	250	710	M20X1.5	M16X1.5	55.6	-
40-125/0.37	65	122	145	185	20	40	88	110	150	18	302	112	140	114	80	220	689	246	550	300	340	250	710	M20X1.5	M16X1.5	55.6	-
40-160/0.55R	65	122	145	185	20	40	88	110	150	18	342	132	160	139	80	254	715	272	510	350	390	300	670	M25X1.5	M20X1.5	56.6	-
40-160/0.55	65	122	145	185	20	40	88	110	150	18	342	132	160	139	80	254	715	272	510	350	390	300	670	M25X1.5	M20X1.5	56.6	-
40-200/1.1R	65	122	145	185	20	40	88	110	150	18	390	160	180	148	100	296	780	317	590	350	390	300	750	M25X1.5	M20X1.5	74.2	76.4
40-200/1.1	65	122	145	185	20	40	88	110	150	18	390	160	180	148	100	296	780	317	590	350	390	300	750	M25X1.5	M20X1.5	74.2	76.4
40-200/1.5	65	122	145	185	20	40	88	110	150	18	390	160	180	148	100	296	780	317	590	350	390	300	750	M25X1.5	M20X1.5	76.7	79.3
50-125/0.55R	65	122	145	185	20	50	102	125	165	20	342	132	160	139	100	254	735	272	510	350	390	300	670	M25X1.5	M20X1.5	57.3	-
50-125/0.55	65	122	145	185	20	50	102	125	165	20	342	132	160	139	100	254	735	272	510	350	390	300	670	M25X1.5	M20X1.5	57.3	-
50-160/1.1R	65	122	145	185	20	50	102	125	165	20	390	160	180	148	100	296	780	317	590	350	390	300	750	M25X1.5	M20X1.5	66.1	68.3
50-160/1.1	65	122	145	185	20	50	102	125	165	20	390	160	180	148	100	296	780	317	590	350	390	300	750	M25X1.5	M20X1.5	66.1	68.3
50-200/1.5R	65	122	145	185	20	50	102	125	165	20	410	160	200	148	100	296	780	317	590	350	390	300	750	M25X1.5	M20X1.5	76.9	79.5
50-200/1.5	65	122	145	185	20	50	102	125	165	20	410	160	200	148	100	296	780	317	590	350	390	300	750	M25X1.5	M20X1.5	76.9	79.5
50-200/2.2	65	122	145	185	20	50	102	125	165	20	410	160	200	155	100	296	829	366	590	350	390	300	750	M25X1.5	M20X1.5	82.9	83.3
65-125/0.55	80	138	160	200	22	65	122	145	185	20	390	160	180	139	100	263	735	272	510	350	390	300	670	M25X1.5	M20X1.5	63.8	-
65-125/0.75	80	138	160	200	22	65	122	145	185	20	390	160	180	139	100	263	735	272	510	350	390	300	670	M25X1.5	M20X1.5	63.8	63.8
65-125/1.1	80	138	160	200	22	65	122	145	185	20	390	160	180	148	100	263	780	317	590	350	390	300	750	M25X1.5	M20X1.5	71.3	73.5
65-160/1.1	80	138	160	200	22	65	122	145	185	20	410	160	200	148	100	296	780	317	590	350	390	300	750	M25X1.5	M20X1.5	78.6	80.8
65-160/1.5	80	138	160	200	22	65	122	145	185	20	410	160	200	148	100	296	780	317	590	350	390	300	750	M25X1.5	M20X1.5	79.6	82.2
65-160/2.2	80	138	160	200	22	65	122	145	185	20	410	160	200	155	100	296	829	366	590	350	390	300	750	M25X1.5	M20X1.5	87.6	88
65-200/2.2R	80	138	160	200	22	65	122	145	185	20	455	180	225	155	100	296	829	366	590	380	420	330	750	M25X1.5	M20X1.5	90.5	90.9
65-200/2.2	80	138	160	200	22	65	122	145	185	20	455	180	225	155	100	296	829	366	590	380	420	330	750	M25X1.5	M20X1.5	90.5	90.9
65-200/3	80	138	160	200	22	65	122	145	185	20	455	180	225	155	100	296	829	366	590	380	420	330	750	M25X1.5	M20X1.5	94	94

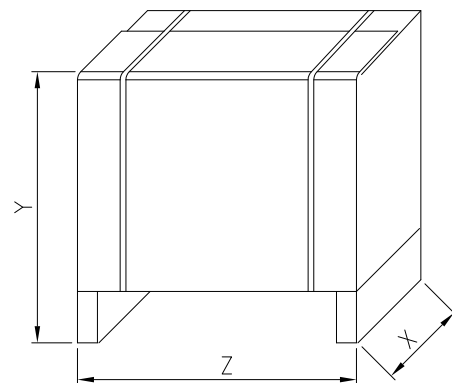
(*) Only for IE3 Motors

3D4 PACKING

Pump type	Packing [mm]			Weight [kgf]	Pack type	
	Z	X	Y			
32-125/0.25	450	250	300	28.2	1	
32-160/0.37R	430	280	340	35.2		
32-160/0.37				35.2		
32-200/0.55R	500	330	390	40.1		
32-200/0.55				40.1		
32-200/0.75				42.4		
40-125/0.37R				450		250
40-125/0.37	430	280	340	28.4		
40-160/0.55R				37.7		
40-160/0.55	500	330	390	38.1		
40-200/1.1R				44.4		
40-200/1.1				44.5		
40-200/1.5				45.7		
50-125/0.55R	430	280	340	37.1		1
50-125/0.55				37.2		
50-160/1.1R	500	330	390	45.1		
50-160/1.1				45.2		
50-200/1.5R				45.6		
50-200/1.5				46.7		
50-200/2.2	580	350	416	45.4	2	
65-125/0.55	500	330	390	41.9	1	
65-125/0.75				37.3		
65-125/1.1				40.3		
65-160/1.1				47.1		
65-160/1.5				580		350
65-160/2.2	500	330	390	51.1	1	
65-200/2.2R	600	390	533	51.5	2	
65-200/2.2				49.5		
65-200/3				62.7		



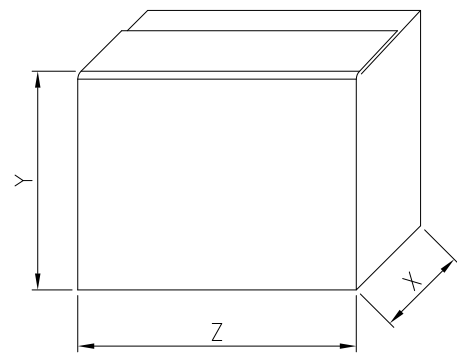
TYPE 1



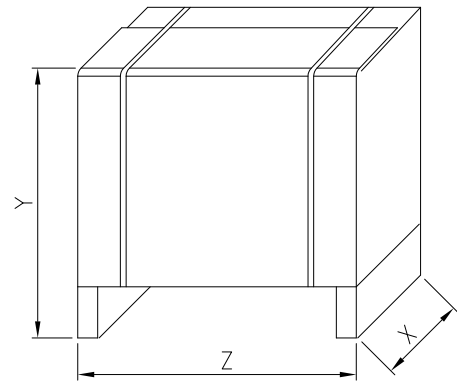
TYPE 2

3DS4 PACKING

Pump type	Packing [mm]			Weight [kgf]		Pack type
	Z	X	Y		(*)	
32-125/0.25	450	250	300	26.4	-	1
32-160/0.37R	490	280	340	32.9	-	
32-160/0.37	430	280	330	32.7	-	
32-200/0.55R	500	330	390	41.5	-	
32-200/0.55				45.7	-	
32-200/0.75				43.7	43.7	
40-125/0.37R	450	250	300	27.6	-	2
40-125/0.37	490	280	340	27.9	-	
40-160/0.55R				37.7	-	
40-160/0.55				37.7	-	
40-200/1.1R				700	350	
40-200/1.1	48.1	50.3				
40-200/1.5	50.3	52.9				
50-125/0.55R	490	280	340	38.2	-	1
50-125/0.55	700	350	498	38.2	-	
50-160/1.1R				52.5	54.7	
50-160/1.1				48.5	50.7	
50-200/1.5R				51.8	54.4	
50-200/1.5				51.5	54.1	
50-200/2.2				56.9	57.3	
65-125/0.55	580	350	488	39.8	-	2
65-125/0.75				48.3	48.3	
65-125/1.1				49	51.2	
65-160/1.1				55.1	57.3	
65-160/1.5				65.2	67.8	
65-160/2.2				66	66.4	
65-200/2.2R	600	390	533	62	62.4	
65-200/2.2				63.5	63.9	
65-200/3				70	70	



TYPE 1

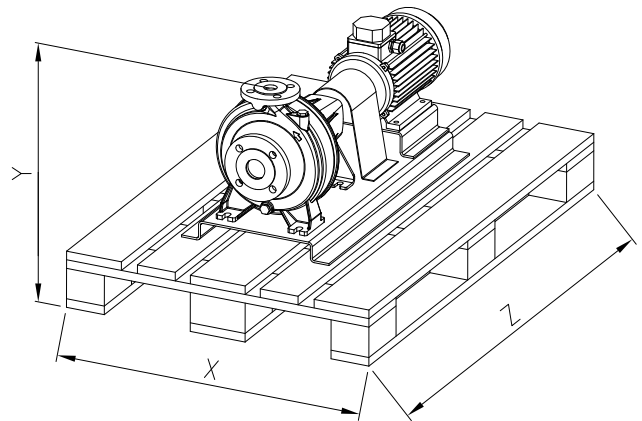


TYPE 2

(*) Only for IE3 Motors

3DP4 PACKING

Pump type	Packing [mm]			Weight [kgf]	
	Z	X	Y		(*)
32-125/0.25	1200	800	394	59.5	-
32-160/0.37R			434	66.0	-
32-160/0.37				66.0	-
32-200/0.55R			482	78.5	-
32-200/0.55				78.5	-
32-200/0.75				79.5	79.5
40-125/0.37R			394	69.0	-
40-125/0.37				69.0	-
40-160/0.55R			434	70.0	-
40-160/0.55				70.0	-
40-200/1.1R			482	87.7	89.9
40-200/1.1				87.7	89.9
40-200/1.5				90.2	92.8
50-125/0.55R				434	70.8
50-125/0.55			70.8		-
50-160/1.1R			482	79.5	81.7
50-160/1.1				79.5	81.7
50-200/1.5R			502	90.5	93.1
50-200/1.5				90.5	93.1
50-200/2.2				96.5	96.9
65-125/0.55			482	77.3	-
65-125/0.75				77.3	77.3
65-125/1.1				84.8	87.0
65-160/1.1			502	92.0	94.2
65-160/1.5				93.0	95.6
65-160/2.2				101.0	101.4
65-200/2.2R				547	104.0
65-200/2.2			104.0		104.4
65-200/3			107.5		107.5



(*) Only for IE3 Motors

3D4 MOTOR DATA

Pump type 3D4	Motor			Efficiency [IE2 / IE3]	Input [kW]	Efficiency (% load)				Full load current [A]		Locked rotor current [A]	
	Motor size	Power				η %			cos- ϕ	230V	400V	230V	400V
		[kW]	[HP]	50%	75%	100%							
32-125/0.25	71	0,25	0,33	IE2	0,34	62,8	69,4	68,5	0,552	1,6	0,9	8,8	5,1
32-160/0.37R	80	0,37	0,5	IE2	0,49	67,5	73,4	76,4	0,562	2,3	1,3	15,6	9,0
32-160/0.37		0,37	0,5	IE2	0,49	67,5	73,4	76,4	0,562	2,3	1,3	15,6	9,0
32-200/0.55R		0,55	0,75	IE2	0,72	73,5	77,4	77,1	0,704	2,6	1,5	15,6	9,0
32-200/0.55		0,55	0,75	IE2	0,72	73,5	77,4	77,1	0,704	2,6	1,5	15,6	9,0
32-200/0.75	90	0,75	1	IE3	0,92	74,6	79,9	82,5	0,660	3,5	2,0	30,1	17,4
40-125/0.37R	71	0,37	0,5	IE2	0,50	69,4	73,6	74,2	0,705	1,8	1,0	8,8	5,1
40-125/0.37		0,37	0,5	IE2	0,50	69,4	73,6	74,2	0,705	1,8	1,0	8,8	5,1
40-160/0.55R	80	0,55	0,75	IE2	0,72	73,5	77,4	77,1	0,704	2,6	1,5	15,6	9,0
40-160/0.55		0,55	0,75	IE2	0,72	73,5	77,4	77,1	0,704	2,6	1,5	15,6	9,0
40-200/1.1R	90	1,1	1,5	IE3	1,31	81,7	83,3	84,1	0,785	4,3	2,5	30,1	17,4
40-200/1.1		1,1	1,5	IE3	1,31	81,7	83,3	84,1	0,785	4,3	2,5	30,1	17,4
40-200/1.5	100	1,5	2	IE3	1,74	81,6	85,0	85,3	0,669	6,4	3,7	47,1	27,2
50-125/0.55R	80	0,55	0,75	IE2	0,72	73,5	77,4	77,1	0,704	2,6	1,5	15,6	9,0
50-125/0.55		0,55	0,75	IE2	0,72	73,5	77,4	77,1	0,704	2,6	1,5	15,6	9,0
50-160/1.1R	90	1,1	1,5	IE3	1,31	81,7	83,3	84,1	0,785	4,3	2,5	30,1	17,4
50-160/1.1		1,1	1,5	IE3	1,31	81,7	83,3	84,1	0,785	4,3	2,5	30,1	17,4
50-200/1.5R	100	1,5	2	IE3	1,74	81,6	85,0	85,3	0,669	6,4	3,7	47,1	27,2
50-200/1.5		1,5	2	IE3	1,74	81,6	85,0	85,3	0,669	6,4	3,7	47,1	27,2
50-200/2.2		2,2	3	IE3	2,55	81,8	85,4	86,7	0,632	10,0	5,8	80,2	46,3
65-125/0.55	80	0,55	0,75	IE2	0,72	73,5	77,4	77,1	0,704	2,6	1,5	15,6	9,0
65-125/0.75	90	0,75	1	IE3	0,92	74,6	79,9	82,5	0,660	3,5	2,0	30,1	17,4
65-125/1.1		1,1	1,5	IE3	1,31	81,7	83,3	84,1	0,785	4,3	2,5	30,1	17,4
65-160/1.1		1,1	1,5	IE3	1,31	81,7	83,3	84,1	0,785	4,3	2,5	30,1	17,4
65-160/1.5	100	1,5	2	IE3	1,74	81,6	85,0	85,3	0,669	6,4	3,7	47,1	27,2
65-160/2.2		2,2	3	IE3	2,55	81,8	85,4	86,7	0,632	10,0	5,8	80,2	46,3
65-200/2.2R		2,2	3	IE3	2,55	81,8	85,4	86,7	0,632	10,0	5,8	80,2	46,3
65-200/2.2		2,2	3	IE3	2,55	81,8	85,4	86,7	0,632	10,0	5,8	80,2	46,3
65-200/3		3	4	IE3	3,42	84,1	86,1	87,7	0,736	11,8	6,8	80,2	46,3

3DS4-3DP4 MOTOR DATA

Pump type		Motor Size	Motor Power		Efficiency	Input [kW]	Efficiency (% load) and power-factor				Full load current		Locked rotor current	
3DS4	3DP4		[kW]	[HP]			50%	75%	100%	cos-φ	[A]		[A]	
											230 V	400 V	230 V	400 V
3DS4 32-125/0.25	3DP4 32-125/0.25	71	0.25	0.33	IE2	0.50	69.4	73.6	74.2	0.70	1.8	1.0	7.9	4.5
3DS4 32-160/0.37R	3DP4 32-160/0.37R		0.37	0.5	IE2	0.71	71.9	75.9	77.7	0.75	2.4	1.4	14.8	8.6
3DS4 32-160/0.37	3DP4 32-160/0.37		0.37	0.5	IE2	0.71	71.9	75.9	77.7	0.75	2.4	1.4	14.8	8.6
3DS4 32-200/0.55R	3DP4 32-200/0.55R	80	0.55	0.75	IE2	0.71	71.9	75.9	77.7	0.75	2.4	1.4	14.8	8.6
3DS4 32-200/0.55	3DP4 32-200/0.55		0.55	0.75	IE2	0.71	71.9	75.9	77.7	0.75	2.4	1.4	14.8	8.6
3DS4 32-200/0.75	3DP4 32-200/0.75		0.75	1	IE3	0.92	80.7	81.5	82.5	0.74	3.1	1.8	17.3	10.0
3DS4 40-125/0.37R	3DP4 40-125/0.37R	71	0.37	0.5	IE2	0.50	69.4	73.6	74.2	0.70	1.8	1.0	7.9	4.5
3DS4 40-125/0.37	3DP4 40-125/0.37		0.37	0.5	IE2	0.50	69.4	73.6	74.2	0.70	1.8	1.0	7.9	4.5
3DS4 40-160/0.55R	3DP4 40-160/0.55R	80	0.55	0.75	IE2	0.71	71.9	75.9	77.7	0.75	2.4	1.4	14.8	8.6
3DS4 40-160/0.55	3DP4 40-160/0.55		0.55	0.75	IE2	0.71	71.9	75.9	77.7	0.75	2.4	1.4	14.8	8.6
3DS4 40-200/1.1R	3DP4 40-200/1.1R	90L	1.1	1.5	IE3	1.30	83.3	84.3	84.1	0.75	4.3	2.5	30.7	17.7
3DS4 40-200/1.1	3DP4 40-200/1.1				IE3	1.30	83.3	84.3	84.1	0.75	4.3	2.5	30.7	17.7
3DS4 40-200/1.5	3DP4 40-200/1.5		1.5	2	IE3	1.80	84.1	85.2	85.3	0.72	6.2	3.6	41.0	23.7
3DS4 50-125/0.55R	3DP4 50-125/0.55R	80	0.55	0.75	IE2	0.71	71.9	75.9	77.7	0.75	2.4	1.4	14.8	8.6
3DS4 50-125/0.55	3DP4 50-125/0.55		0.55	0.75	IE2	0.71	71.9	75.9	77.7	0.75	2.4	1.4	14.8	8.6
3DS4 50-160/1.1R	3DP4 50-160/1.1R	90L	1.1	1.5	IE3	1.30	83.3	84.3	84.1	0.75	4.3	2.5	30.7	17.7
3DS4 50-160/1.1	3DP4 50-160/1.1				IE3	1.30	83.3	84.3	84.1	0.75	4.3	2.5	30.7	17.7
3DS4 50-200/1.5R	3DP4 50-200/1.5R		1.5	2	IE3	1.80	84.1	85.2	85.3	0.72	6.2	3.6	41.0	23.7
3DS4 50-200/1.5	3DP4 50-200/1.5	100L	2.2	3	IE3	1.80	84.1	85.2	85.3	0.72	6.2	3.6	41.0	23.7
3DS4 50-200/2.2	3DP4 50-200/2.2				IE3	2.58	83.2	86.2	86.7	0.63	10.2	5.9	73.6	42.5
3DS4 65-125/0.55	3DP4 65-125/0.55	80	0.55	0.75	IE2	0.71	71.9	75.9	77.7	0.75	2.4	1.4	14.8	8.6
3DS4 65-125/0.75	3DP4 65-125/0.75		0.75	1	IE3	0.92	80.7	81.5	82.5	0.74	3.1	1.8	17.3	10.0
3DS4 65-125/1.1	3DP4 65-125/1.1	90L	1.1	1.5	IE3	1.30	83.3	84.3	84.1	0.75	4.3	2.5	30.7	17.7
3DS4 65-160/1.1	3DP4 65-160/1.1				IE3	1.30	83.3	84.3	84.1	0.75	4.3	2.5	30.7	17.7
3DS4 65-160/1.5	3DP4 65-160/1.5		1.5	2	IE3	1.80	84.1	85.2	85.3	0.72	6.2	3.6	41.0	23.7
3DS4 65-160/2.2	3DP4 65-160/2.2	100L	2.2	3	IE3	2.58	83.2	86.2	86.7	0.63	10.2	5.9	73.6	42.5
3DS4 65-200/2.2R	3DP4 65-200/2.2R				IE3	2.58	83.2	86.2	86.7	0.63	10.2	5.9	73.6	42.5
3DS4 65-200/2.2	3DP4 65-200/2.2		IE3	2.58	83.2	86.2	86.7	0.63	10.2	5.9	73.6	42.5		
3DS4 65-200/3	3DP4 65-200/3		3	4	IE3	3.44	85.1	87.1	87.7	0.73	11.8	6.8	95.4	55.1

3D4 NOISE DATA

Pump type	Power		LpA - dB(A) *
	[kW]	[HP]	
3D4 32-125/0.25	0.25	0.33	<70
3D4 32-160/0.37R	0.37	0.5	
3D4 32-160/0.37	0.37	0.5	
3D4 32-200/0.55R	0.55	0.75	
3D4 32-200/0.55	0.55	0.75	
3D4 32-200/0.75	0.75	1	
3D4 40-125/0.37R	0.37	0.5	
3D4 40-125/0.37	0.37	0.5	
3D4 40-160/0.55R	0.55	0.75	
3D4 40-160/0.55	0.55	0.75	
3D4 40-200/1.1R	1.1	1.5	
3D4 40-200/1.1	1.1	1.5	
3D4 40-200/1.5	1.5	2	
3D4 50-125/0.55R	0.55	0.75	
3D4 50-125/0.55	0.55	0.75	
3D4 50-160/1.1R	1.1	1.5	
3D4 50-160/1.1	1.1	1.5	
3D4 50-200/1.5R	1.5	2	
3D4 50-200/1.5	1.5	2	
3D4 50-200/2.2	2.2	3	
3D4 65-125/0.55	0.55	0.75	
3D4 65-125/0.75	0.75	1	
3D4 65-125/1.1	1.1	1.5	
3D4 65-160/1.1	1.1	1.5	
3D4 65-160/1.5	1.5	2	
3D4 65-160/2.2	2.2	3	
3D4 65-200/2.2R	2.2	3	
3D4 65-200/2.2	2.2	3	
3D4 65-200/3	3	4	

* Mean value of several measures at 1m distance
around the pump. Tolerance ± 2.5 dB.
Sound pressure level of motor pumps with AEG

3DS4-3DP4 NOISE DATA

Pump type		Power		LpA - dB(A) *
3DS4	3DP4	[kW]	[HP]	
3DS4 32-125/0.25	3DP4 32-125/0.25	0.25	0.33	<70
3DS4 32-160/0.37R	3DP4 32-160/0.37R	0.37	0.5	
3DS4 32-160/0.37	3DP4 32-160/0.37	0.37	0.5	
3DS4 32-200/0.55R	3DP4 32-200/0.55R	0.55	0.75	
3DS4 32-200/0.55	3DP4 32-200/0.55	0.55	0.75	
3DS4 32-200/0.75	3DP4 32-200/0.75	0.75	1	
3DS4 40-125/0.37R	3DP4 40-125/0.37R	0.37	0.5	
3DS4 40-125/0.37	3DP4 40-125/0.37	0.37	0.5	
3DS4 40-160/0.55R	3DP4 40-160/0.55R	0.55	0.75	
3DS4 40-160/0.55	3DP4 40-160/0.55	0.55	0.75	
3DS4 40-200/1.1R	3DP4 40-200/1.1R	1.1	1.5	
3DS4 40-200/1.1	3DP4 40-200/1.1	1.1	1.5	
3DS4 40-200/1.5	3DP4 40-200/1.5	1.5	2	
3DS4 50-125/0.55R	3DP4 50-125/0.55R	0.55	0.75	
3DS4 50-125/0.55	3DP4 50-125/0.55	0.55	0.75	
3DS4 50-160/1.1R	3DP4 50-160/1.1R	1.1	1.5	
3DS4 50-160/1.1	3DP4 50-160/1.1	1.1	1.5	
3DS4 50-200/1.5R	3DP4 50-200/1.5R	1.5	2	
3DS4 50-200/1.5	3DP4 50-200/1.5	1.5	2	
3DS4 50-200/2.2	3DP4 50-200/2.2	2.2	3	
3DS4 65-125/0.55	3DP4 65-125/0.55	0.55	0.75	
3DS4 65-125/0.75	3DP4 65-125/0.75	0.75	1	
3DS4 65-125/1.1	3DP4 65-125/1.1	1.1	1.5	
3DS4 65-160/1.1	3DP4 65-160/1.1	1.1	1.5	
3DS4 65-160/1.5	3DP4 65-160/1.5	1.5	2	
3DS4 65-160/2.2	3DP4 65-160/2.2	2.2	3	
3DS4 65-200/2.2R	3DP4 65-200/2.2R	2.2	3	
3DS4 65-200/2.2	3DP4 65-200/2.2	2.2	3	
3DS4 65-200/3	3DP4 65-200/3	3	4	

* Mean value of several measures at 1m distance around the pump.

Tolerance ± 2.5 dB.

Sound pressure level of motor pumps with AEG



EBARA Pumps Europe S.p.A. reserves the right to make any modifications considered necessary without prior notice. The contents of this publication must not be considered binding.



EBARA Pumps Europe S.p.A.
Via Torri di Confine 2/1 int. C
36053 Gambellara (Vicenza), Italy
Phone +39 0444 706811
ebarapumps.epe@ebaracom
www.ebaraeurope.com

EBARA Pumps Europe S.p.A. GERMANY
Elisabeth-Selbert-Straße 2
63110 Rodgau, Germany
Phone +49 (0) 6106-660 99-0
info.epde@ebaracom

EBARA Pumps South Africa (PTY) LTD
26 Kyalami Boulevard,
Kyalami Business Park, 1684, Midrand,
Gauteng, South Africa
Phone +27 11 466 1844
ebaraeurope@ebaracom

EBARA Pumps Europe S.p.A. UK
Unit A, Park 34
Collett Way - Didcot
Oxfordshire - OX11 7WB, United Kingdom
Phone +44 1895 439027
marketing.epuk@ebaracom

EBARA Pumps Europe S.p.A. FRANCE
122, Rue Pasteur
69780 Toussieu, France
Phone: +33 04 72 76 94 82
mktg.efr@ebaracom

EBARA Pumps East Africa
Sunflag Industrial Park, Unit 5, Mombasa Road,
PO BOX 18851-00100, Nairobi, Kenya
Tel. +254709491900
info.epea@ebaracom
www.ebaraeurope.co.ke

EBARA POMPYS POLSKA Sp. z o.o.
ul. Działkowa 115 A
02-234 Warszawa, Poland
Phone +48 22 3909920
marketing.epl@ebaracom

EBARA Pumps Europe Nordic
Gustav III Boulevard 34,
169 73 Solna, Sweden
info.epen@ebaracom

EBARA West Africa Limited
ewasales.epe@ebaracom